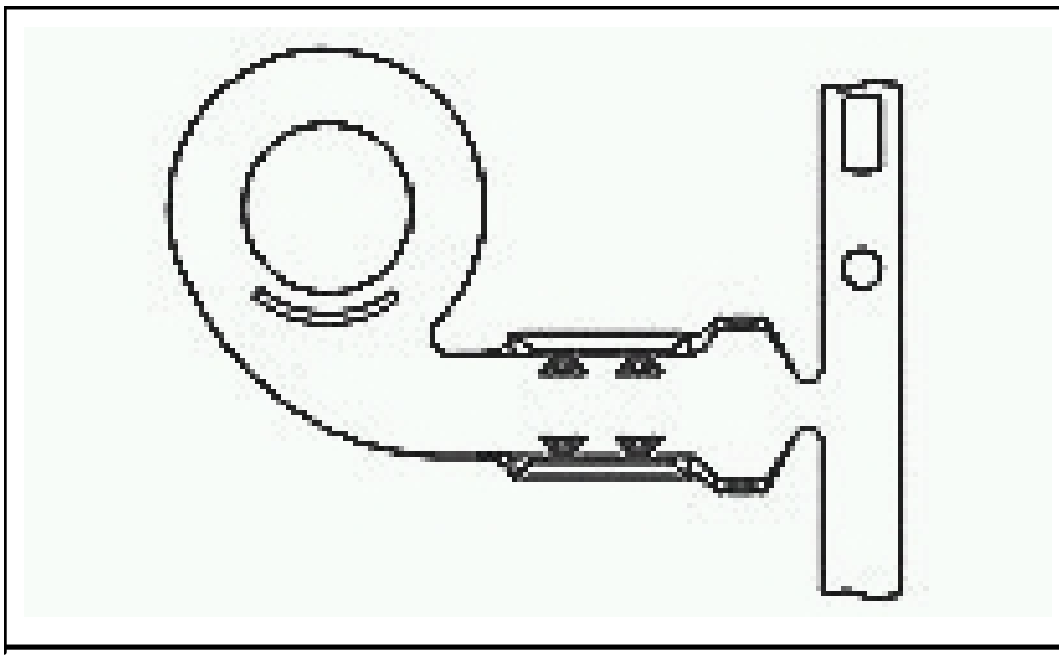


9-226619 -1 Product Details

Live Product Chat US Only
8:30am - 5pm ET, Mon - Fri



9-226619 -1

✓ [Active](#)

BRAID - PIC, RF Connectors

[Always EU RoHS/ELV Compliant](#) ([Statement of Compliance](#))

Product Highlights:

- ? Terminal
- ? Coaxial Cable Type (RG/U or Mfg.) = 58, 58A, 58B, 58C
- ? Stud Size = 8 [M4]
- ? Connection Type = Ring Tongue
- ? Strip

[View all Features](#) | [Find Similar Products](#)

Quick Links

- [Check Pricing & Availability](#)
- [Search for Tooling](#)
- [Product Feature Selector](#)
- [Contact Us About This Product](#)

Documentation & Additional Information

Product Drawings:

- ? [COAXIAL GROUND FLAG TERMINAL](#) (PDF, English)

Catalog Pages/Data Sheets:

- ? None Available

Product Specifications:

- ? None Available

Application Specifications:

- ? None Available

Instruction Sheets:

- ? None Available

CAD Files:

- ? None Available

Additional Information:

- ? [Product Line Information](#)

Related Products:

- ? [Tooling](#)

[List all Documents](#)

Product Features (Please use the Product Drawing for all design activity)

Product Type Features:

- ? [Product Type](#) = Terminal
- ? [Stud Size](#) = 8 [M4]
- ? [Connection Type](#) = Ring Tongue
- ? Body Material = Brass

Termination Related Features:

- ? Coaxial Cable Termination Type = Crimp

Body Related Features:

- ? Body Plating = Tin

Configuration Related Features:

- ? [Coaxial Cable Type \(RG/U or Mfg.\)](#) = 58, 58A, 58B, 58C

Industry Standards:

- ? [RoHS/ELV Compliance](#) = RoHS compliant, ELV compliant
- ? [Lead Free Solder Processes](#) = Wave solder capable to 240°C, Wave solder capable to 260°C, Wave solder capable to 265°C
- ? RoHS/ELV Compliance History = Always was RoHS compliant

Packaging Related Features:

- ? [Packaging Method](#) = Strip

Other:

- ? Brand = AMP