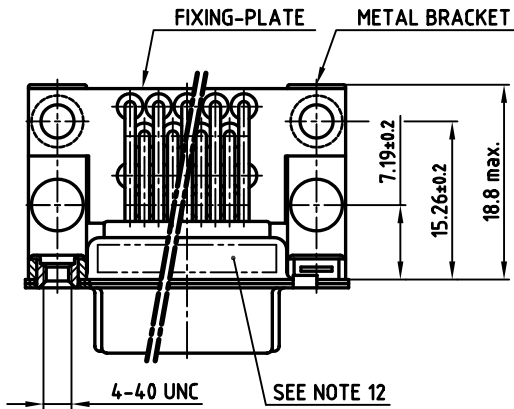
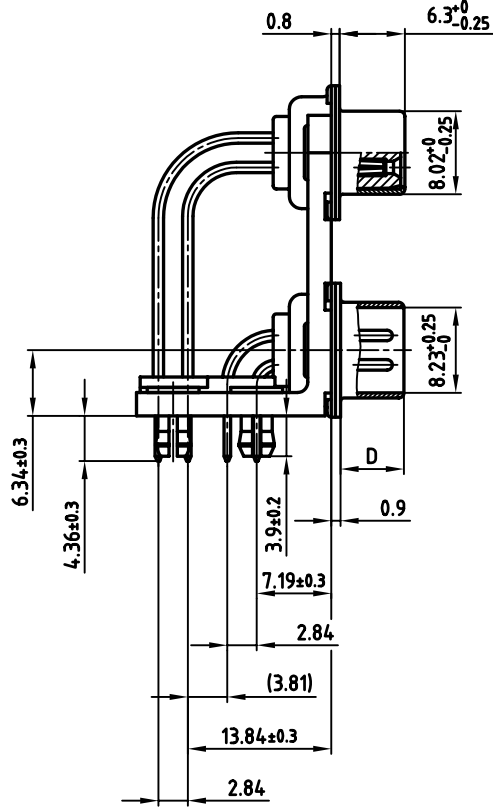
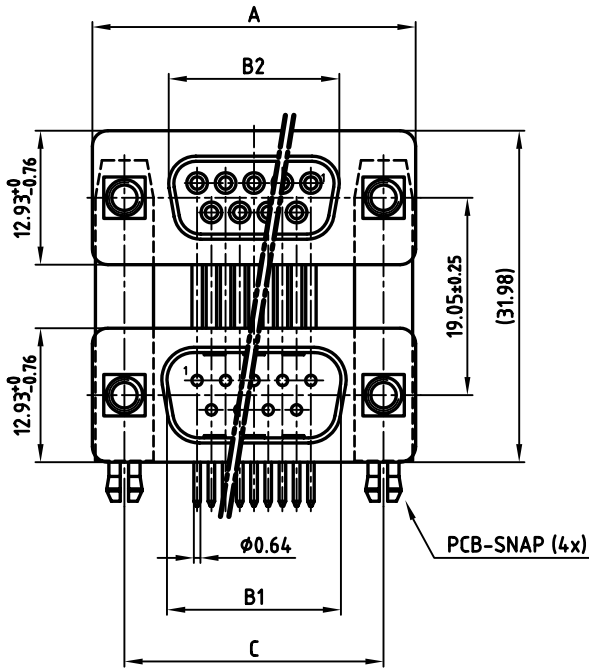


used for: D-SUB Dual Port

POS.	A ^{-0.76}	B1 ^{+0.25}	B2 ^{-0.25}	C	D ^{-0.3}	Part-No.
2x 9	31.19	16.79	16.46	25.00 ^{+0.12 -0.13}	6.12	DSSNSPTCX68A
2x15	39.52	25.12	24.79	33.30 ^{+0.15 -0.1}	6.12	DSSPSPTCX68A
2x25	53.42	38.84	38.50	47.04 ^{±0.13}	5.99	DSSRSPTCX68A
2x37	69.70	55.30	54.96	63.50 ^{±0.13}	5.99	DSSSSPTCX68A



NOTES:

1. RoHS COMPLIANT
2. SUITABLE FOR WAVE SOLDERING
3. METAL SHELLS: COPPER ALLOY; min. 315µm TIN over 40-80µm NICKEL
4. INSULATORS: PBT GF UL 94 V-0, BLACK
5. CONTACTS: COPPER ALLOY
PLATING: 30µm HARD GOLD OVER min. 50µm NICKEL
CONTACT TAILS PRETINNED
6. METAL BRACKET: ZINC DIE CAST; 300µm COPPER/40-120µm NICKEL/120-200µm TIN
7. THREADED INSERT: COPPER ALLOY; min. 200µm TIN over 80µm NICKEL
8. PCB-SNAP: COPPER ALLOY; min. 200µm TIN over 80µm NICKEL
PCB-HOLE: $\phi 3.1 \pm 0.1$; PCB THICKNESS 2.3mm
9. FIXING-PLATE: PBT GF UL 94 V-0, BLACK
10. P.C.B. HOLE DRILLINGS ON SHEET 2 + 3
11. MAXIMUM TORQUE VALUE FOR THREAD: 6 in.LB
12. CONNECTOR IS PART MARKED: PART-NO. CONEC ABC



APPROVAL # FREIGABE # DEBLOCAGE # AUTORIZACION # APPROVAL

CUSTOMER APPROVAL DATE:

NAME: TITLE:

COMPANY NAME:

APPROVAL # FREIGABE # DEBLOCAGE # AUTORIZACION # APPROVAL

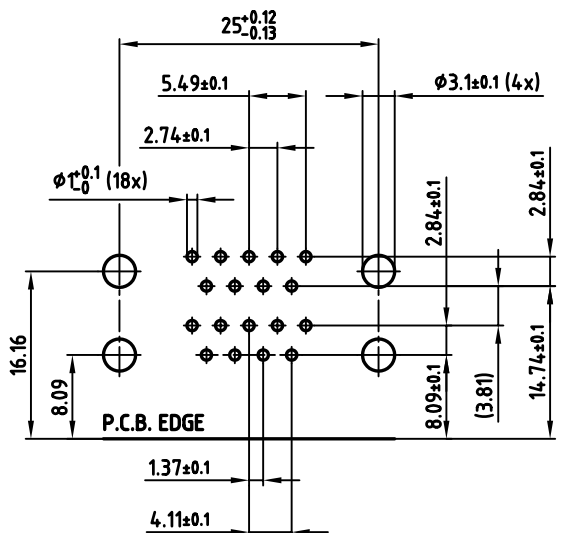
THIS DRAWING MAY NOT BE COPIED OR REPRODUCED IN ANY WAY, AND MAY NOT BE PASSED ON TO A THIRD PARTY, WITHOUT WRITTEN PERMISSION. OWNERSHIP AND COPYRIGHT OF CONEC Gmbh DO NOT ALTER CAD DRAWING BY HAND

rev.	description	date	name
a	Origin		

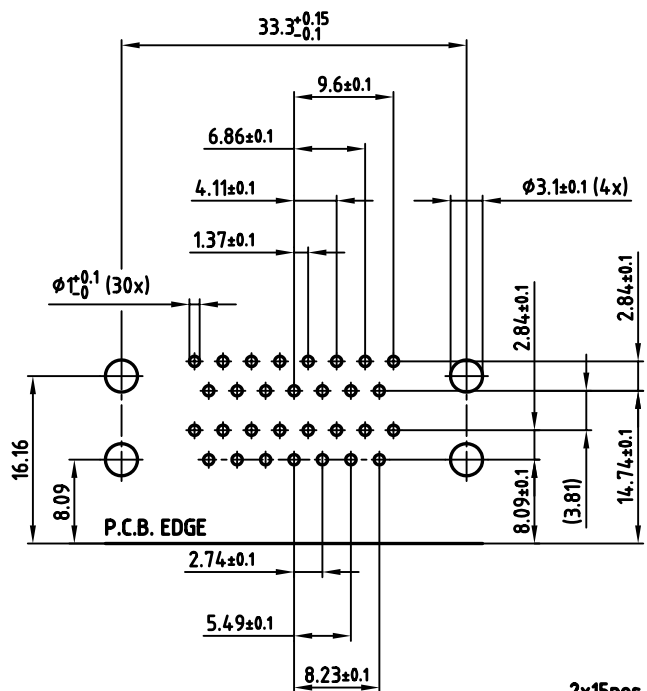
Customer Specific Product	tolerance	scale: 2:1
	dim. in mm	material: SEE NOTES
2007 date	name	title:
drawn 26.06.	Lehmenkühler	DUAL PORT 19.05mm
appd. 26.06.	Mickenbecker	FEMALE / MALE 2x9pos. - 2x37pos.
norm DIN 41652		with threaded insert and 4 x snap
d-old		dwg no: AutoCAD 2006 DIN-A
		16K1A2095 3
		part no: SEE TABLE sh:1/3



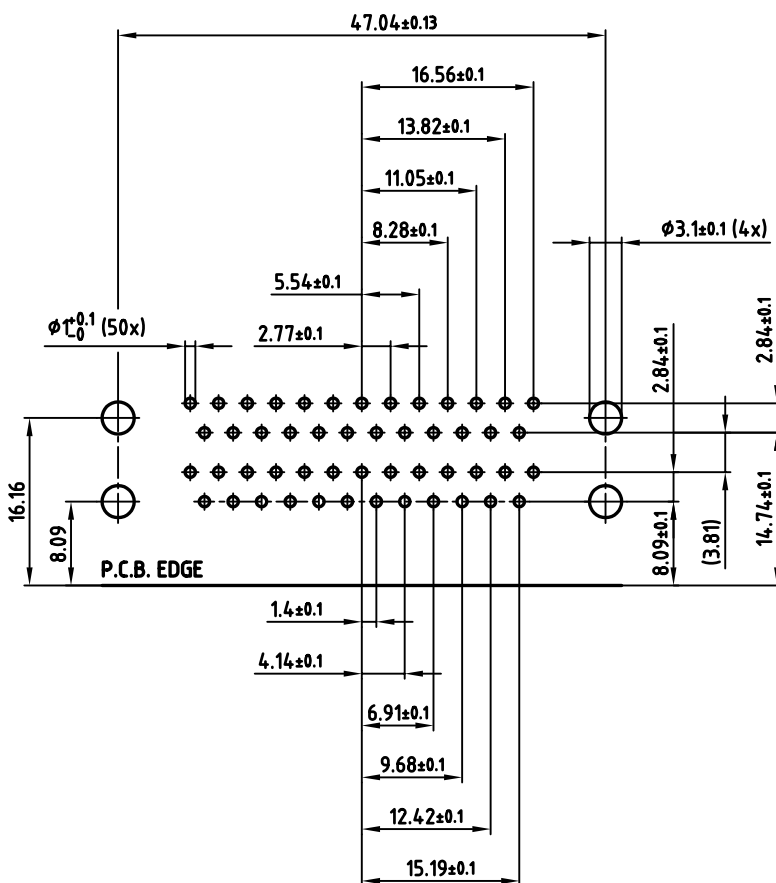
used for: D-SUB Dual Port



2x9pos.



2x15pos.



2x25pos.

APPROVAL * FREIGABE * DEBLOCAGE * AUTORIZACION * APPROVAL

CUSTOMER APPROVAL DATE:

NAME: TITLE:

COMPANY NAME:

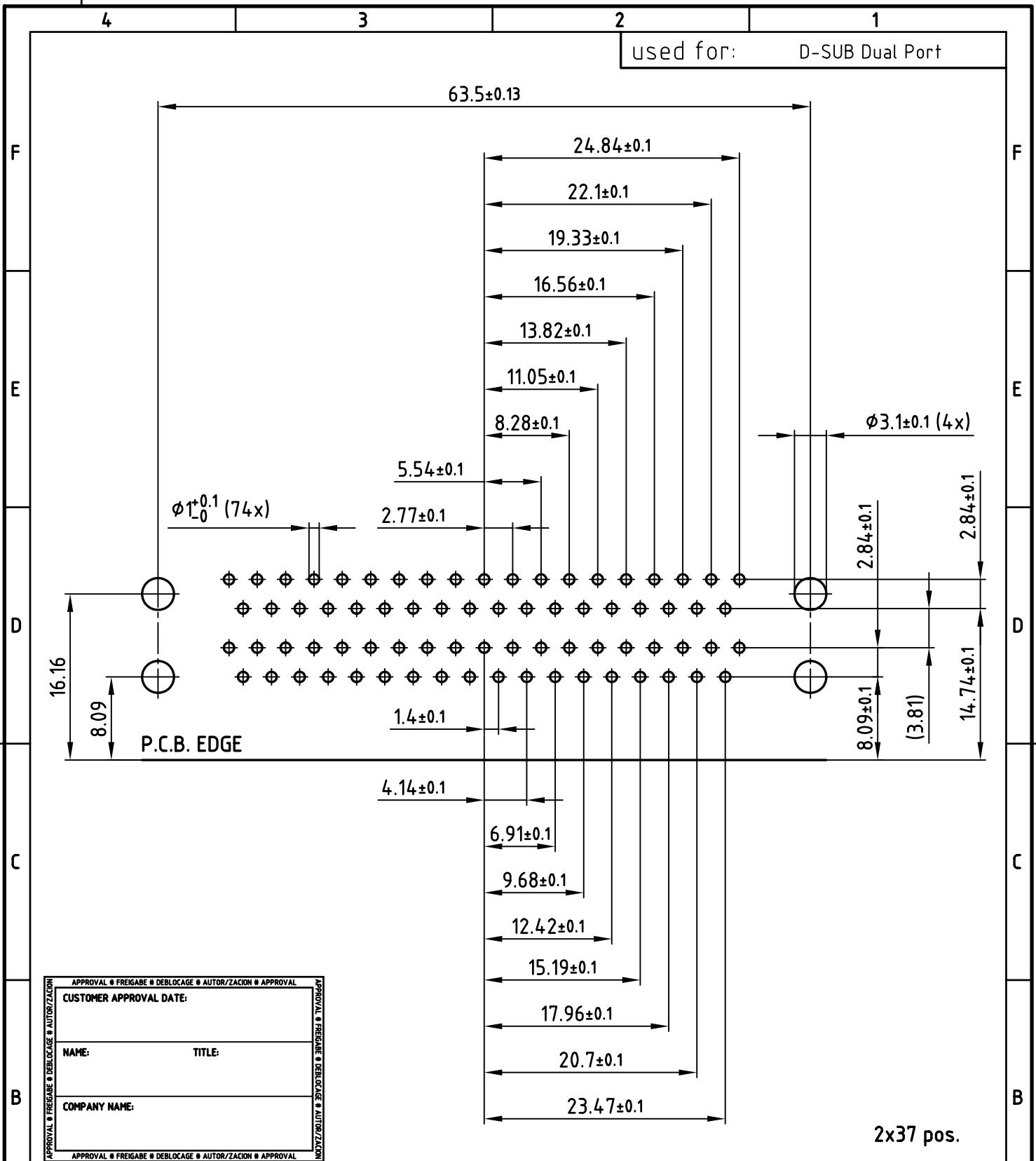
APPROVAL * FREIGABE * DEBLOCAGE * AUTORIZACION * APPROVAL

THIS DRAWING MAY NOT BE COPIED OR REPRODUCED IN ANY WAY, AND MAY NOT BE PASSED ON TO A THIRD PARTY, WITHOUT WRITTEN PERMISSION. OWNERSHIP AND COPYRIGHT OF CONEC Gmbh DO NOT ALTER CAD DRAWING BY HAND

rev.	description	date	name
a	Origin		

tolerance		scale:	2:1
	dim. in mm	material:	SEE SHEET 1
2007	date	name	title:
drawn	26.06.	Lehmenkühler	P.C.B. HOLE DRILLINGS DUAL PORT 19.05mm FEMALE / MALE with threaded insert and 4 x snap
appd.	26.06.	Mickenbecker	
norm	DIN 41652		
d-old			dwg no: AutoCAD 2006
			DIN-A
			3
			sh:2/3
			part no: SEE SHEET 1





APPROVAL # FREIGABE # DEBLOCAGE # AUTOR/ZACION # APPROVAL	
CUSTOMER APPROVAL DATE:	
NAME:	TITLE:
COMPANY NAME:	
APPROVAL # FREIGABE # DEBLOCAGE # AUTOR/ZACION # APPROVAL	

THIS DRAWING MAY NOT BE COPIED OR REPRODUCED IN ANY WAY, AND MAY NOT BE PASSED ON TO A THIRD PARTY WITHOUT WRITTEN PERMISSION.
 OWNERSHIP AND COPYRIGHT OF CONEC GmbH
 DO NOT ALTER CAD DRAWING BY HAND

tolerance		dim. in mm	
2007	date	name	
drawn	26.06.	Lehmenkühler	
appd.	26.06.	Mickenbecker	
norm	DIN 41652		
d-old			
a	Origin		
rev.	description	date	name



scale:	2:1	
material:	SEE SHEET 1	
title:	P.C.B. HOLE DRILLINGS DUAL PORT 19.05mm FEMALE / MALE with threaded insert and 4 x snap	
dwg no:	AutoCAD 2006	DIN-A
	16K1A2095	4
		sh:3/3
part no:	SEE SHEET 1	