

## Data Sheet | Item Number: 257-607

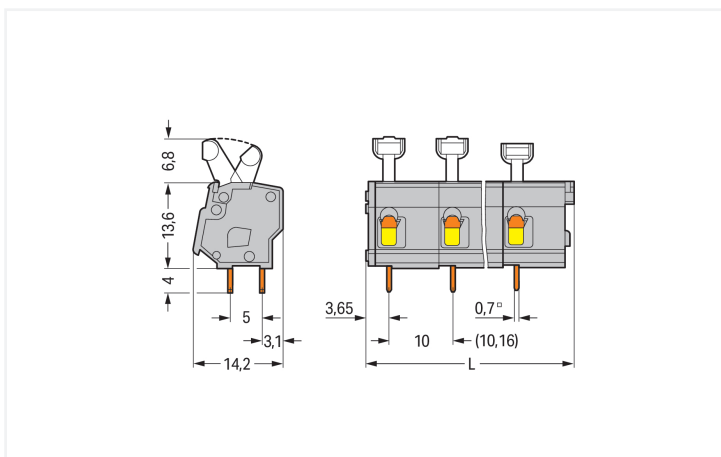
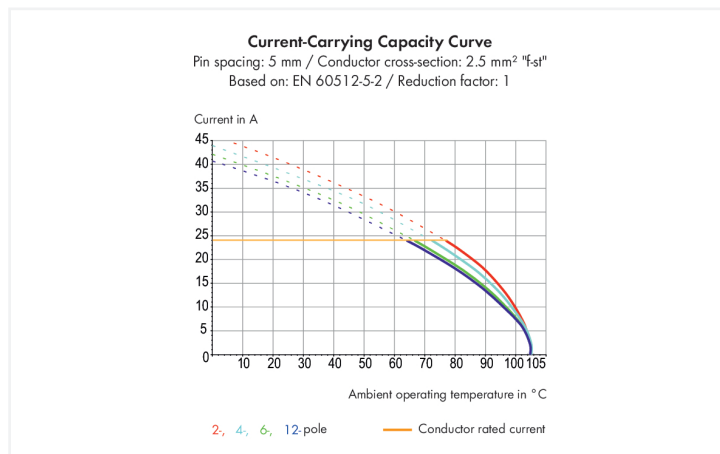
PCB terminal block; push-button; 2.5 mm<sup>2</sup>; Pin spacing 10/10.16 mm; 7-pole; CAGE CLAMP®; commoning option; gray

<https://www.wago.com/257-607>



Color: ■ gray

Similar to illustration



Dimensions in mm

$L = (\text{pole no.} \times \text{pin spacing}) + 2.9 \text{ mm}$

PCB terminal block, 257 Series, push-button

Easily, quickly and safely connect conductors with this PCB terminal block (item number 257-607). You can rely on trusted safety with these PCB terminal blocks, perfect for a wide range of applications when designing your devices. Ensure that the strip lengths are between 5 and 6 mm when connecting conductors to this PCB terminal block. Featuring one conductor terminal along with CAGE CLAMP®, this connector delivers reliable performance. Our trusted universal connection known as CAGE CLAMP® is the industry standard for connection technology and electrical interconnections. The dimensions are (72.9 x 24.4 x 14.2) mm (width x height x depth). Depending on the conductor type, this PCB terminal block is ideal for conductor cross sections ranging from 0.08 mm<sup>2</sup> to 2.5 mm<sup>2</sup>.

Tin is used for coating the contact surfaces. This PCB terminal block is operated with a push-button. THT is used to assemble the PCB terminal block. Insert the conductor into the board at an angle of 0°.

## Notes

Variants:

Other pole numbers  
 Versions for Ex e II and Ex i  
 Other colors  
 Mixed-color PCB connector strips  
 Direct marking  
 Other versions (or variants) can be requested from WAGO Sales or configured at <https://configurator.wago.com/>.

## Electrical data

| Ratings per                     | IEC/EN 60664-1 |        |        |
|---------------------------------|----------------|--------|--------|
| Overvoltage category            | III            | III    | II     |
| Pollution degree                | 3              | 2      | 2      |
| Nominal voltage                 | 630 V          | 1000 V | 1000 V |
| Rated impulse withstand voltage | 8 kV           | 8 kV   | 8 kV   |
| Rated current                   | 24 A           | 24 A   | 24 A   |

| Approvals per | UL 1059 |   |       |
|---------------|---------|---|-------|
| Use group     | B       | C | D     |
| Rated voltage | 300 V   | - | 300 V |
| Rated current | 15 A    | - | 10 A  |

| Approvals per | CSA   |   |       |
|---------------|-------|---|-------|
| Use group     | B     | C | D     |
| Rated voltage | 300 V | - | 300 V |
| Rated current | 15 A  | - | 10 A  |

## Connection Data

|                            |   |
|----------------------------|---|
| Clamping units             | 7 |
| Total number of potentials | 7 |
| Number of connection types | 1 |
| Number of levels           | 1 |

| Connection 1                                      |  |
|---|--|
| Connection technology                             | CAGE CLAMP®                                  |
| Actuation type                                    | Push-button                                  |
| Solid conductor                                   | 0.08 ... 2.5 mm <sup>2</sup> / 28 ... 12 AWG |
| Fine-stranded conductor                           | 0.08 ... 2.5 mm <sup>2</sup> / 28 ... 12 AWG |
| Fine-stranded conductor; with insulated ferrule   | 0.25 ... 1.5 mm <sup>2</sup>                 |
| Fine-stranded conductor; with uninsulated ferrule | 0.25 ... 1.5 mm <sup>2</sup>                 |
| Note (conductor cross-section)                    | 12 AWG: THHN, THWN                           |
| Strip length                                      | 5 ... 6 mm / 0.2 ... 0.24 inches             |
| Conductor connection direction to PCB             | 0°   |
| Pole number                                       | 7  |

## Physical data

|                         |                                |
|-------------------------|--------------------------------|
| Pin spacing             | 10/10.16 mm / 0.394/0.4 inches |
| Width                   | 72.9 mm / 2.87 inches          |
| Height                  | 24.4 mm / 0.961 inches         |
| Height from the surface | 20.4 mm / 0.803 inches         |
| Depth                   | 14.2 mm / 0.559 inches         |
| Solder pin length       | 4 mm                           |
| Solder pin dimensions   | 0.7 x 0.7 mm                   |
| Drilled hole diameter   | 1.1 (+0.1) mm                  |

### PCB contact

|                                     |  |
|-------------------------------------|--|
| PCB contact                         | THT                                      |
| Solder pin arrangement              | over the entire terminal strip (in-line) |
| Number of solder pins per potential | 2  |

### Material data

|                                    |  |
|------------------------------------|--|
| Note (material data)               | <a href="#">Information on material specifications can be found here</a> |
| Color                              | gray   |
| Material group                     | I  |
| Insulation material (main housing) | Polyamide (PA66)   |
| Flammability class per UL94        | V0   |
| Clamping spring material           | Chrome-nickel spring steel (CrNi)  |
| Contact material                   | Electrolytic copper (E <sub>Cu</sub> )                                   |
| Contact Plating                    | Tin  |
| Fire load                          | 0.201 MJ   |
| Weight                             | 11.6 g   |

### Environmental requirements

|                         |                 |
|-------------------------|-----------------|
| Limit temperature range | -60 ... +105 °C |
|-------------------------|-----------------|

### Commercial data

|                       |                                |
|-----------------------|--------------------------------|
| Product Group         | 4 (Printed Circuit Connectors) |
| PU (SPU)              | 60 (15) pcs                    |
| Packaging type        | Box                            |
| Country of origin     | PL                             |
| GTIN                  | 4017332228244                  |
| Customs tariff number | 85369010000                    |

### Product Classification

|             |                      |
|-------------|----------------------|
| UNSPSC      | 39121409             |
| eCl@ss 10.0 | 27-44-04-01          |
| eCl@ss 9.0  | 27-44-04-01          |
| ETIM 9.0    | EC002643             |
| ETIM 10.0   | EC002643             |
| ECCN        | NO US CLASSIFICATION |

### Environmental Product Compliance

|                        |                         |
|------------------------|-------------------------|
| RoHS Compliance Status | Compliant, No Exemption |
|------------------------|-------------------------|

### Approvals / Certificates

#### General approvals



#### General approvals

|                                 |              |             |
|---------------------------------|--------------|-------------|
| CCA<br>DEKRA Certification B.V. | EN 60947-7-4 | NTR NL-7821 |
|---------------------------------|--------------|-------------|

| Approval                        | Standard     | Certificate Name |
|---------------------------------|--------------|------------------|
| CCA<br>DEKRA Certification B.V. | EN 60947     | 2160584.28       |
| CCA<br>DEKRA Certification B.V. | EN 60947     | NTR NL-7128      |
| CCA<br>DEKRA Certification B.V. | EN 60947-7-4 | 71-113014        |

**Declarations of conformity and manufacturer's declarations**

| Approval   | Standard | Certificate Name |
|--|----------|------------------|
| EU-Declaration of Conformity<br>WAGO GmbH & Co. KG | -        | -                |
| UK-Declaration of Conformity<br>WAGO GmbH & Co. KG | -        | -                |

**Approvals for marine applications**



| Approval                           | Standard  | Certificate Name  |
|------------------------------------|-----------|-------------------|
| ABS<br>American Bureau of Shipping | -         | 24-0095975-PDA    |
| BV<br>Bureau Veritas S.A.          | IEC 60998 | 11915/E0 BV       |
| DNV<br>DNV GL SE                   | -         | TAE000016Z        |
| PRS<br>Polski Rejestr Statków      | -         | TE/1095/880590/23 |

**Downloads**

**Environmental Product Compliance**

**Compliance Search**

|  |   |
|--|---|
| Environmental Product Compliance 257-607 | ↓ |
|--|---|

**Documentation**

**Additional Information**

|  |            |                   |   |
|--|------------|-------------------|---|
| Technical Section                          | 03.04.2019 | pdf<br>2027.26 KB | ↓ |
| Gebrückte Klemmenleisten für Leiterplatten |            | pdf<br>303.71 KB  | ↓ |

**CAD/CAE-Data**

**CAD data**

|                      |   |
|----------------------|---|
| 2D/3D Models 257-607 | ↓ |
|----------------------|---|

**CAE data**

|                           |   |
|---------------------------|---|
| EPLAN Data Portal 257-607 | ↓ |
| ZUKEN Portal 257-607      | ↓ |

**PCB Design**

|  |   |
|--|---|
| Symbol and Footprint via SamacSys 257-607        | ↓ |
| Symbol and Footprint via Ultra Librarian 257-607 | ↓ |

**1 Compatible Products**

**1.1 Optional Accessories**

**1.1.1 Ferrule**

**1.1.1.1 Ferrule**



**Item No.: 216-321**  
 Ferrule; Sleeve for 0.25 mm<sup>2</sup> / AWG 24; insulated; electro-tin plated; yellow



**Item No.: 216-151**  
 Ferrule; Sleeve for 0.25 mm<sup>2</sup> / AWG 24; uninsulated; electro-tin plated; silver-colored



**Item No.: 216-322**  
 Ferrule; Sleeve for 0.34 mm<sup>2</sup> / 22 AWG; insulated; electro-tin plated; light turquoise



**Item No.: 216-152**  
 Ferrule; Sleeve for 0.34 mm<sup>2</sup> / 22 AWG; uninsulated; electro-tin plated; silver-colored



**Item No.: 216-221**  
 Ferrule; Sleeve for 0.5 mm<sup>2</sup> / 20 AWG; insulated; electro-tin plated; white



**Item No.: 216-121**  
 Ferrule; Sleeve for 0.5 mm<sup>2</sup> / AWG 22; uninsulated; electro-tin plated; silver-colored



**Item No.: 216-222**  
 Ferrule; Sleeve for 0.75 mm<sup>2</sup> / 18 AWG; insulated; electro-tin plated; gray



**Item No.: 216-122**  
 Ferrule; Sleeve for 0.75 mm<sup>2</sup> / 18 AWG; uninsulated; electro-tin plated; silver-colored



**Item No.: 216-223**  
 Ferrule; Sleeve for 1 mm<sup>2</sup> / AWG 18; insulated; electro-tin plated; red



**Item No.: 216-123**  
 Ferrule; Sleeve for 1 mm<sup>2</sup> / AWG 18; uninsulated; electro-tin plated; silver-colored



**Item No.: 216-224**  
 Ferrule; Sleeve for 1.5 mm<sup>2</sup> / AWG 16; insulated; electro-tin plated; black



**Item No.: 216-124**  
 Ferrule; Sleeve for 1.5 mm<sup>2</sup> / AWG 16; uninsulated; electro-tin plated

**1.1.2 Marking**

**1.1.2.1 Marking strip**



**Item No.: 210-332/1000-202**  
 Marking strips; as a DIN A4 sheet; MARKED; 1-16 (80x); Height of marker strip: 3 mm; Strip length 182 mm; Horizontal marking; Self-adhesive; white



**Item No.: 210-332/1016-202**  
 Marking strips; as a DIN A4 sheet; MARKED; 1-16 (80x); Height of marker strip: 3 mm; Strip length 182 mm; Horizontal marking; Self-adhesive; white



**Item No.: 210-332/1000-204**  
 Marking strips; as a DIN A4 sheet; MARKED; 17-31 (80x); Height of marker strip: 3 mm; Strip length 182 mm; Horizontal marking; Self-adhesive; white



**Item No.: 210-332/1016-204**  
 Marking strips; as a DIN A4 sheet; MARKED; 17-31 (80x); Height of marker strip: 3 mm; Strip length 182 mm; Horizontal marking; Self-adhesive; white



**Item No.: 210-332/1000-206**  
 Marking strips; as a DIN A4 sheet; MARKED; 33-48 (80x); Height of marker strip: 3 mm; Strip length 182 mm; Horizontal marking; Self-adhesive; white



**Item No.: 210-332/1016-206**  
 Marking strips; as a DIN A4 sheet; MARKED; 33-48 (80x); Height of marker strip: 3 mm; Strip length 182 mm; Horizontal marking; Self-adhesive; white

**1.1.3 Test and measurement**

**1.1.3.1 Testing accessories**



**Item No.: 249-114**  
 Test plug adapter; suitable for 255, 256, 257 Series PCB terminal blocks; 1-pole; Pin spacing 10 mm / 0.394 in; gray



**Item No.: 249-115**  
 Test plug adapter; suitable for 255, 256, 257 Series PCB terminal blocks; 1-pole; Pin spacing 10.16 mm / 0.4 in; orange

### 1.1.4 Tool

#### 1.1.4.1 Operating tool



**Item No.: 210-658**

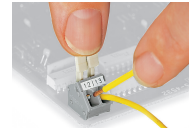
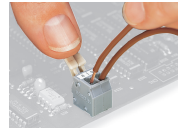
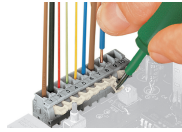
Operating tool; Blade: 3.5 x 0.5 mm; with a partially insulated shaft; angled; short; multi-coloured

**Item No.: 210-720**

Operating tool; Blade: 3.5 x 0.5 mm; with a partially insulated shaft; multicoloured

### Installation Notes

#### Conductor termination



Inserting/removing a conductor – 256 Series.

Inserting/removing a conductor (255 Series)

Inserting/removing a conductor via finger-operated lever – 255 Series.

Inserting/removing a conductor via finger-operated lever – 256 Series.

### Installation



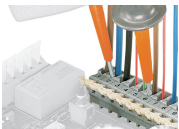
Possible conductor arrangement with terminal strips staggered (for 256 Series only).

### Marking



Formation of groups using housings of different colors

### Testing



Testing with test probes.

Testing with test plug modules.

Subject to changes. Please also observe the further product documentation!

Current addresses can be found at: [www.wago.com](http://www.wago.com)