



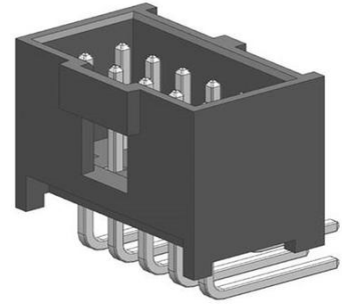
Part Number : [901303138](#)

Product Description : C-Grid III Header, Dual Row, Right-Angle, Shrouded, Fully Loaded, 38 Circuits, Black, 3µm Tin (Sn) over Nickel (Ni)

Series Number : 90130

Status : Active

Product Category : PCB Headers and Receptacles



Documents and Resources

Drawings

[901303138_sd.pdf](#)

[PK-91814-005-001.pdf](#)

3D Models and Design Files

[STEP AP242](#)

[SOLIDWORKS](#)

[Creo](#)

[Symbol and Footprint \(Multi-Format\)](#)

Specifications


[901190001-AS-000.pdf](#)

[PK-90130-001-001.pdf](#)

[PS-99020-0001-001.pdf](#)

Product Environment Compliance

Compliance

GADSL/IMDS	Compliant with Exemption 44; 33
China RoHS	 per SJ/T 11365-2006
EU ELV	Not Relevant
Low-Halogen Status	Not Low-Halogen per IEC 61249-2-21
REACH SVHC	Not Contained per ED/88/2018 (15 January 2019)
EU RoHS	Compliant per EU 2015/863

Compliance Statements

- EU RoHS
- REACH SVHC
- Low-Halogen

Industry Documents

- IPC 1752A Class C
- IPC 1752A Class D
- Molex Product Compliance Declaration
- IEC-62474
- chemSHERPA (xml)

Substances of Interest

- PFAS

EU RoHS Certificate of Compliance

Additional Product Compliance Information

Part Details

General

Status	Active
Category	PCB Headers and Receptacles
Series	90130
Description	C-Grid III Header, Dual Row, Right-Angle, Shrouded, Fully Loaded, 38 Circuits, Black, 3µm Tin (Sn) over Nickel (Ni)
Application	Signal, Wire-to-Board
Component Type	PCB Header
Product Name	C-Grid III
UPC	800753705968

Agency

CSA	LR19980
UL	E29179

Electrical

Current - Maximum per Contact	3.0A
Voltage - Maximum	350V AC/DC

Physical

Breakaway	No
Circuits (Loaded)	38
Circuits (maximum)	38
Color - Resin	Black
Durability (mating cycles max)	30
First Mate / Last Break	No
Glow-Wire Capable	No
Guide to Mating Part	No
Keying to Mating Part	No
Lock to Mating Part	Yes
Material - Metal	Brass
Material - Plating Mating	Tin
Material - Plating Termination	Tin
Material - Resin	Polyester
Net Weight	4.777/g
Number of Rows	2
Orientation	Right Angle
Packaging Type	Tray
PCB Locator	No
PCB Retention	No
PCB Thickness - Recommended	1.60mm
PC Tail Length	2.90mm
Pitch - Mating Interface	2.54mm
Pitch - Termination Interface	2.54mm
Plating min - Mating	3.048µm
Plating min - Termination	3.048µm
Polarized to Mating Part	Yes
Polarized to PCB	No
Shrouded	Closed Ends
Stackable	No
Temperature Range - Operating	-55° to +125°C
Termination Interface Style	Through Hole

Solder Process Data

Max-Duration	3
Lead-Free Process Capability	WAVE
Max-Cycle	1
Max-Temp	235

Mates With / Use With

Mates with Part(s)

Description	Part Number
C-Grid III Dual Row Crimp Housings	<u>90142</u>
C-Grid III Modular Dual Row Crimp Housings	<u>90143</u>

This document was generated on Apr 30, 2026