



Part Number : [1300150117](#)

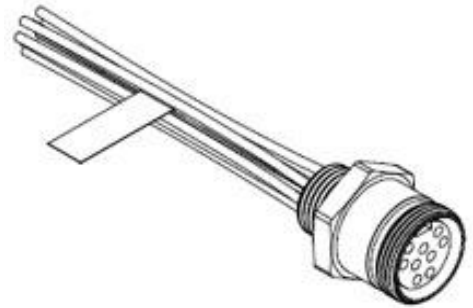
Product Description : Mini-Change C-Size Receptacle, 9 Poles, 1/2" - 14 NPT Threads, Female (Straight) to 16 AWG Leads, 0.305m (1.0') Length

Series Number : 130015

Status : Active

Product Category : Circular Industrial Connectors

Engineering Part Number : 3R9004A20A120



Documents and Resources

Drawings

[1300150117 sd.pdf](#)

Product Environment Compliance

Compliance

GADSL/IMDS	Not Relevant
China RoHS	Not Relevant
EU ELV	Compliant with Exemption 10(a) per 2000/53/EC
Low-Halogen Status	Not Relevant
REACH SVHC	Contains Lead per D(2022)9120-DC (17 Jan 2023)
EU RoHS	Compliant with Exemption 6(c) per EU 2015/863

Compliance Statements

- EU RoHS
- REACH SVHC
- Low-Halogen

Industry Documents

- IPC 1752A Class C
- IPC 1752A Class D
- Molex Product Compliance Declaration
- IEC-62474
- chemSHERPA (xml)

Substances of Interest

- PFAS

EU RoHS Certificate of Compliance

Additional Product Compliance Information

CE - Declaration of Conformity

UKCA - Declaration of Conformity

Part Details

General

Status	Active
Category	Circular Industrial Connectors
Series	130015
Description	Mini-Change C-Size Receptacle, 9 Poles, 1/2" - 14 NPT Threads, Female (Straight) to 16 AWG Leads, 0.305m (1.0') Length
Comments	C-Size (1-1/8" - 16 UN-2A)
IP Rating	IP67
Product Name	Mini-Change
Type	Single Ended (pigtail)
UPC	78678844206

Agency

CSA	LR6837
UL	E152210

Electrical

Current - Maximum per Contact	7.0A
Voltage - Maximum	600V AC/DC

Physical

Coupling Type	External Thread
Gender	Female
Keyway	Single
Length	0.305m
Material - Component	Zinc Die-Cast with Black Epoxy

Mounting Thread Size	1/2" - 14 NPT
Net Weight	125.000/g
Orientation	Straight
Panel Mount	Front
Poles	9
Temperature Range - Operating	-20° to +105°C
Wire/Cable Type	UL 1015
Wire Size (AWG)	16

This document was generated on Dec 30, 2025