

4

3

2

1

THIS DRAWING IS UNPUBLISHED.

RELEASED FOR PUBLICATION

—, —

LOC

DIST

REVISIONS

© COPYRIGHT - BY TYCO ELECTRONICS CORPORATION. ALL RIGHTS RESERVED.

GP 00

P

LTR

DESCRIPTION

DATE

DWN

APVD

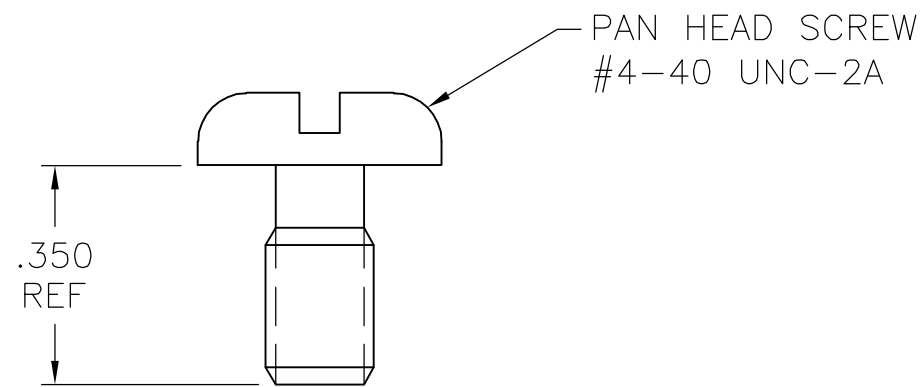
0

RELEASED PER EC OS13-0288-05

03OCT05

BM

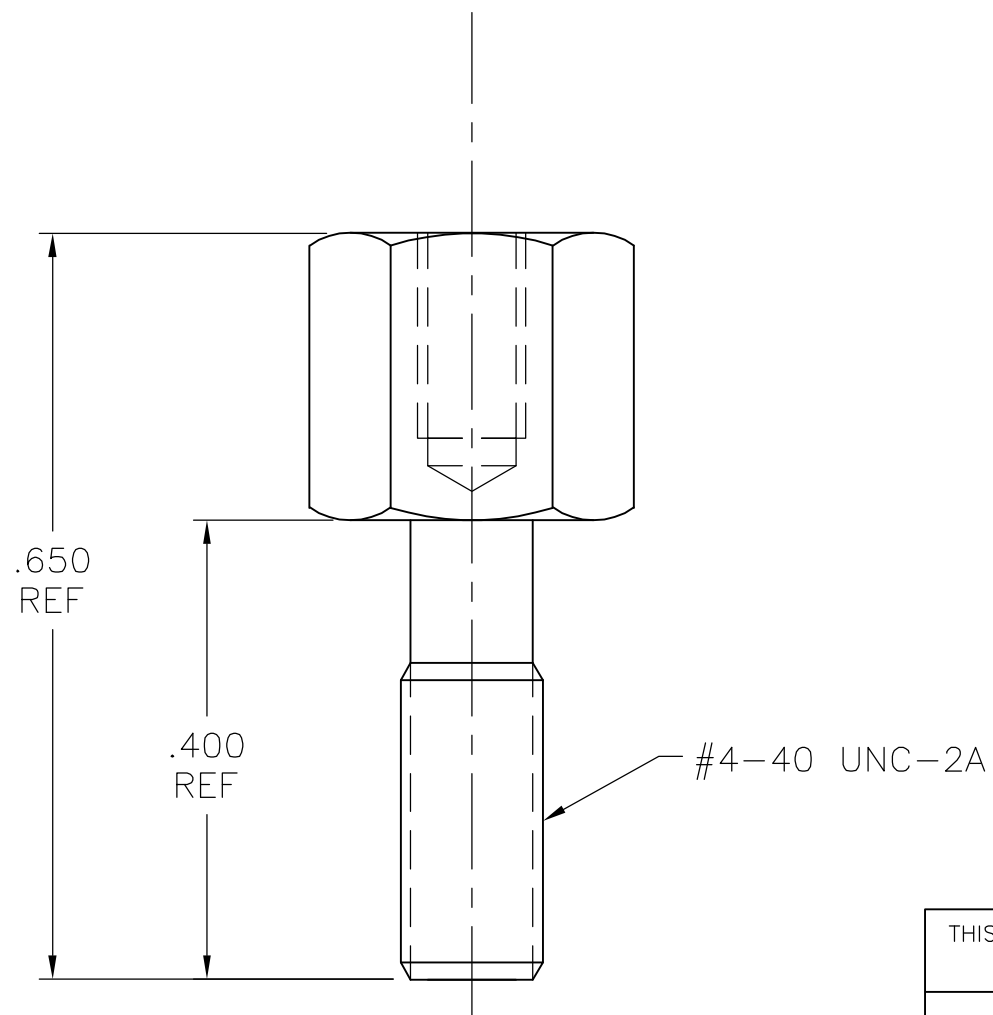
WM



MATERIAL:

PAN HEAD SCREW: ZINC PLATED STEEL.

MOUNTING SCREW: ZINC PLATE WITH YELLOW TRIVALENT CHROMATE OVER STEEL.



5552631-1
PART
NUMBER

THIS DRAWING IS A CONTROLLED DOCUMENT.		DWN B. MCMASTER	03OCT05	tyco Electronics	Tyco Electronics Corporation Harrisburg, PA 17105-3608	
DIMENSIONS: INCHES		CHK W. MILLHIMES	03OCT05		NAME HARDWARE KIT, BACK PANEL MOUNT, SCREW LOCK, CHAMP	
TOLERANCES UNLESS OTHERWISE SPECIFIED:		APVD W. MILLHIMES	03OCT05	PRODUCT SPEC —		
0 PLC ± -		APPLICATION SPEC —		WEIGHT —		
1 PLC ± -		SIZE A3		CAGE CODE 00779	DRAWING NO G-5552631	RESTRICTED TO —
2 PLC ± -		SCALE 4:1		SHEET 1 of 1		REV 0
3 PLC ± -		CUSTOMER DRAWING				
4 PLC ± -						
ANGLES ± -						
FINISH						
MATERIAL						
1						