

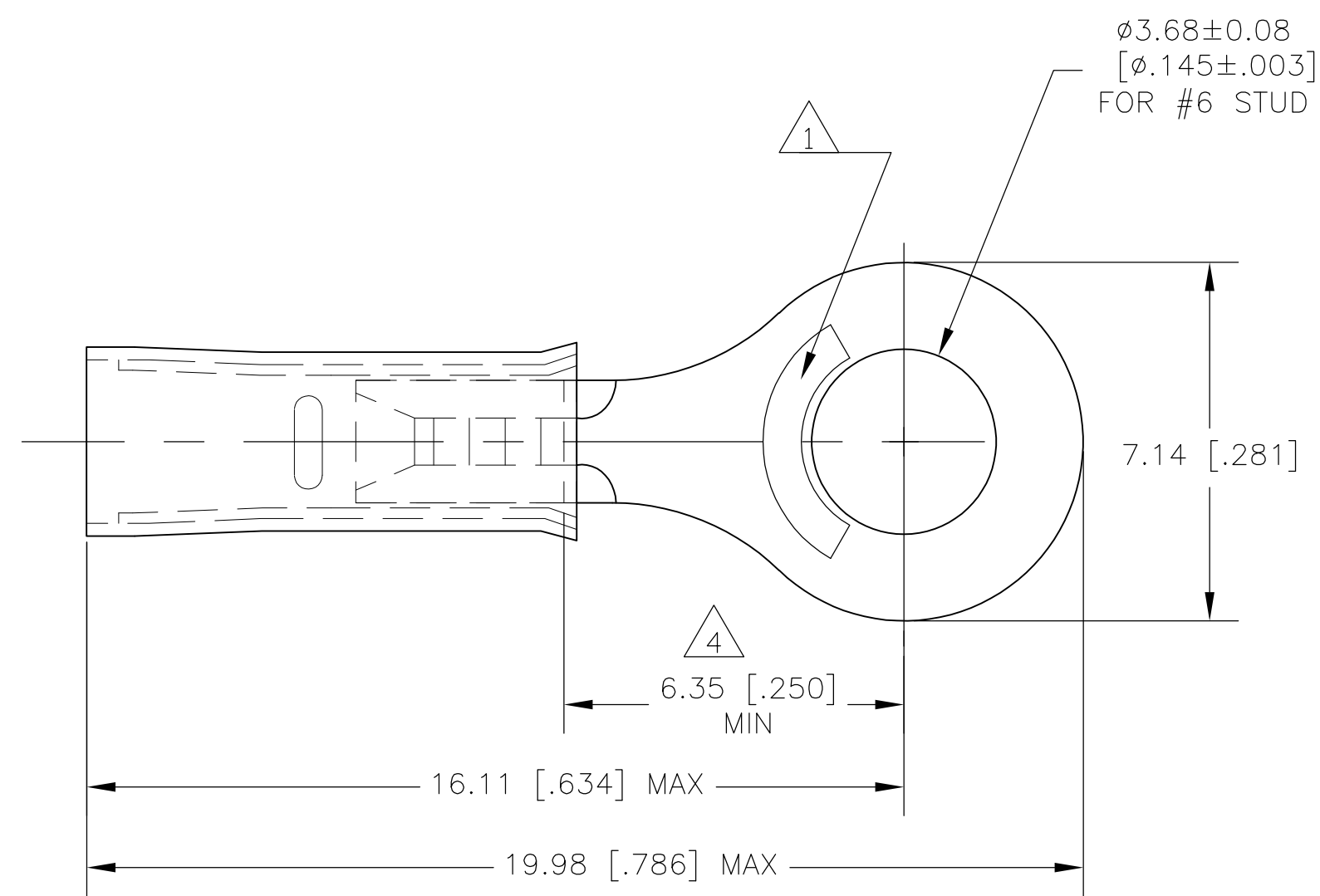
THIS DRAWING IS UNPUBLISHED. RELEASED FOR PUBLICATION  
 © COPYRIGHT - BY TYCO ELECTRONICS CORPORATION. ALL RIGHTS RESERVED.

LOC	DIST	REVISIONS					
G	14	P	LTR	DESCRIPTION	DATE	DWN	APVD
			02	REV PER ECR 07-020486	28AUG07	JR	TM

**AMP**  
WIRE RANGE

---

22 AWG  
SOLID OR STRANDED



- 1 STAMP AMP 22, LOCATE APPROX AS SHOWN.
- 2 WIRE INSULATION DIA IS 0.9-2.5 [.035-.100]
- 3 TONGUE MATERIAL THK IS 0.79±0.05 [.031±.002]
- 4 DIMENSION APPLIES FROM EDGE OF METAL WIRE BARREL TO CENTER OF STUD HOLE.
- 5 MATERIAL: BODY-COPPER PER ASTM B-152  
SLEEVE-NYLON, BLACK
- 6 FINISH: BODY-TIN PLATE PER ASTM B-545
- 7 MAX RECOMMENDED OPERATING 105°C
- 8 VOLTAGE RATING 300V MAX
- 9 CIRCULAR MIL AREA 0.26-0.41mm<sup>2</sup> [509-810] CMA.

500	LOOSE PIECE	151439
QTY	PACKAGE TYPE	PART NO

THIS DRAWING IS A CONTROLLED DOCUMENT.		DWN jr_ruth 09MAY06	Tyco Electronics Corporation Harrisburg, PA 17105-3608	
DIMENSIONS: INCHES		CHK T MICHELUTTI 09MAY06	NAME TERMINAL, RING TONGUE, PIDG, WIRE SIZE: 22 AWG	
TOLERANCES UNLESS OTHERWISE SPECIFIED:		APVD T MICHELUTTI 09MAY06	PRODUCT SPEC	
0 PLC ± -		APPLICATION SPEC		
1 PLC ± -		SIZE A3		
2 PLC ± -		CAGE CODE 00779		
3 PLC ± .005		DRAWING NO C-151439		
4 PLC ± -		RESTRICTED TO		
4 PLC ANGLES ± 5°		WEIGHT -		
MATERIAL - 5	FINISH - 6	CUSTOMER DRAWING		
		SCALE 8:1	SHEET 1 OF 1	REV 02