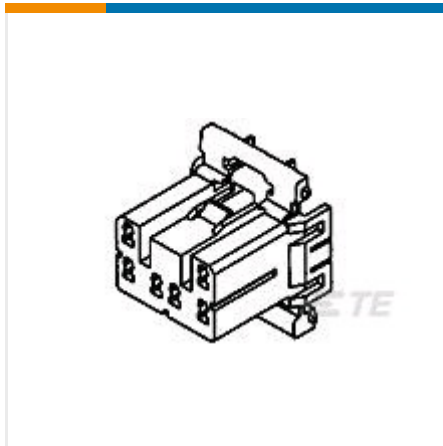




CONNECTORS

AUTOMOTIVE, TRUCK, BUS, & OFF-ROAD HOUSINGS



✓ Active

TE CONNECTIVITY (TE)

070 MULTILOCK PLUG HSG. 8 POS

AMP

282366-1

TE Internal Number: 282366-1

EU RoHS Compliant

EU ELV Compliant

Connector Style Housing for female terminals

Mating Tab Width 1.8 mm [.071 in]

Connector System Wire-to-Wire

Number of Positions 8

Centerline (Pitch) (mm) 3.5, 5.5

Centerline (Pitch) (in) .138, .217

[↓ PRODUCT DRAWING](#)
English

[↓ 3D PDF](#)

DOCUMENTATION

Product Drawings

070 SERIES MULTILOCK CONN. PLUG HOUSING 8 POSITION DOUBLE ROW

PDF (TIFF AVAILABLE)

English

CAD Files

Customer View Model

2D_DXF.ZIP

English

3D PDF

PDF

3D

Customer View Model

3D_IGS.ZIP

English

Customer View Model

3D_STP.ZIP

English

Product Specifications

Product Specification

070 Series Multilock Conns.

TIF

English

070 Series Multilock Conns.

PDF

English

070 SERIES MULTILOCK CONNECTOR FOR W.T.W. APPLICATION

PDF

English

070 SERIES MULTILOCK CONNECTOR FOR W.T.W. APPLICATION

TIF

English

Instruction Sheets

Instruction Sheet (non U.S.)

070 Sr MULTILOCK* Connector (Wire To Wire Version)

TIF

English

070 Sr MULTILOCK* Connector (Wire To Wire Version)

PDF

English

FEATURES



Please review product documents or [contact us](#) for the latest agency approval information.

Please Note: Use the Product Drawing for all design activity.

Product Type Features

Connector Style Housing for female terminals

Connector System Wire-to-Wire

Sealable No

Hybrid Connector No

Primary Locking Feature On the terminal

Strain Relief No

Row-to-Row Spacing 5.6 mm [.22 in]

Configuration Features

Number of Positions 8

Number of Rows 2

Electrical Characteristics

Nominal Voltage Architecture (V) 12, 24

Operating Voltage (VDC) 24

Body Features

Color Natural

Cable Exit Angle 180°

Body Material PBT

Contact Features

Mating Tab Width 1.8 mm [.071 in]

Mechanical Attachment

Mounting Feature No

Terminal Position Assurance No

Polarized Yes

Housing Features

Centerline (Pitch) (mm) 3.5, 5.5

Centerline (Pitch) (in) .138, .217

Dimensions

Width 26.1 mm [1.028 in]

Height 21.6 mm [.85 in]

Length 24.8 mm [.976 in]

Usage Conditions

Operating Temperature Range -30 – 105 °C [-22 – 221 °F]

Operation/Application

Circuit Application Signal

Industry Standards

Degree of Protection Other

Packaging Features

Packaging Method Box

Packaging Quantity 2000

Other

Connector Position Assurance Capable No

Customer GEN

Serviceable Yes

PRODUCT COMPLIANCE



Statement of Compliance

Statement of Compliance

PDF
