

# SKS 8 - Shield connection terminal block



3240210

<https://www.phoenixcontact.com/ae/products/3240210>

Please be informed that the data shown in this PDF document is generated from our online catalog. Please find the complete data in the user documentation. Our general terms of use for downloads are valid.

Shield connection terminal block, for applying the shield to busbars



## Your advantages

- As components, it is not possible to certify shield connections in accordance with the requirements of the directive and standards for electrical equipment in potentially explosive areas. As such, shield connection clamps can be used in the Ex area even without an appropriate approval or marking.
- Three different mounting types supported: on NS 35 DIN rails, on busbars, or directly on conductive mounting panels

## Commercial data

Item number	3240210
Packing unit	10 pc
Minimum order quantity	10 pc
Sales key	BE7
Product key	BE7522
GTIN	4046356458658
Weight per piece (including packing)	9.25 g
Weight per piece (excluding packing)	8.58 g
Customs tariff number	85369010
Country of origin	DE

# SKS 8 - Shield connection terminal block

3240210

<https://www.phoenixcontact.com/ae/products/3240210>

## Technical data

### Product properties

Product type	Shield connection clamp
Pitch	12.4 mm
Number of connections	1
Number of rows	1

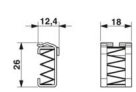
### Electrical properties

Maximum power dissipation for nominal condition	1.31 W
---	--------

### Connection data

Connection method	Spring-cage connection
Cross section AWG	12 ... 8 (converted acc. to IEC)
Conductor cross-section, flexible [AWG]	12 ... 8 (converted acc. to IEC)

### Dimensions

Dimensional drawing	
Width	12.4 mm
Height	18 mm
Depth	26 mm
Pitch	12.4 mm

### External dimensions

Outside diameter	3 mm ... 8 mm
------------------	---------------

### Material specifications

Color	silver-colored
Material	Steel

### Cable/line

External cable diameter	3 mm ... 8 mm
-------------------------	---------------

### Mechanical properties

#### Mechanical data

Open side panel	No
-----------------	----

### Mounting

Mounting type	Neutral busbar
---------------	----------------

# SKS 8 - Shield connection terminal block

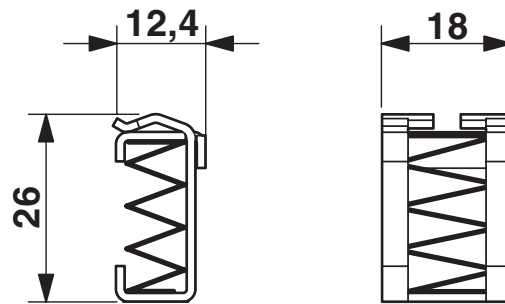
3240210

<https://www.phoenixcontact.com/ae/products/3240210>



## Drawings

### Dimensional drawing



# SKS 8 - Shield connection terminal block



3240210

<https://www.phoenixcontact.com/ae/products/3240210>

## Classifications

### ECLASS

ECLASS-13.0	27250309
ECLASS-15.0	27250309

### ETIM

ETIM 9.0	EC002020
----------	----------

### UNSPSC

UNSPSC 21.0	39121400
-------------	----------

# SKS 8 - Shield connection terminal block



3240210

<https://www.phoenixcontact.com/ae/products/3240210>

## Environmental product compliance

### EU RoHS

Fulfills EU RoHS substance requirements	Yes, No exemptions
---	--------------------

### China RoHS

Environment friendly use period (EFUP)	EFUP-E
	No hazardous substances above the limits

### EU REACH SVHC

REACH candidate substance (CAS No.)	No substance above 0.1 wt%
-------------------------------------	----------------------------

### EF3.0 Climate Change

CO2e kg	0.128 kg CO2e
---------	---------------

Phoenix Contact 2025 © - all rights reserved  
<https://www.phoenixcontact.com>

PHOENIX CONTACT Middle East FZ LLC  
1201N-1206N, Dubai Science Park Towers – North  
P.O. Box 345002, Dubai, United Arab Emirates  
(+971) 4 437-0324  
[info-me@phoenixcontact.com](mailto:info-me@phoenixcontact.com)