

**Customer Part:**

**Description**

- 2.5 x 2mm SMD crystal in a hermetically sealed ceramic package with a seam sealed metal lid.
- Model CFPX-218
- Model Issue number 6

**Frequency Parameters**

- Frequency 30.0MHz
- Frequency Tolerance  $\pm 20.00\text{ppm}$
- Tolerance Condition @ 25°C
- Frequency Stability  $\pm 20.00\text{ppm}$
- Operating Temperature Range -40.00 to 85.00°C
- Overtone Order Fundamental
- Ageing  $\pm 3\text{ppm}$  max per year @ 25°C

**Electrical Parameters**

- Load Capacitance (CL) 10.00pF
- Shunt Capacitance (C0) 3pF max
- Drive Level 100µW max
- ESR 60.00Ω max

**Environmental Parameters**

- Storage Temperature Range: -55 to 125°C
- Drop: 100cm drop (3 times) onto hard wooden board.
- Vibration: MIL-STD-883F, Method 2007.3: 20G (20Hz-2000Hz), 1.52mm amplitude, 20mins in 3 mutually perpendicular planes (total 4hrs).

**Manufacturing Details**

- RoHS Terminations NiAu
- RoHS Reflow Temp 260°C max for 10secs max

**Compliance**

- RoHS Status (2015/863/EU) Compliant
- REACH Status Compliant
- MSL Rating (JDEC-STD-033): Not Applicable

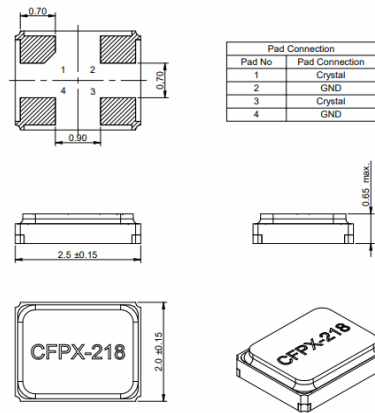
**Packaging Details**

- Tape & reel in accordance with EIA-481  
Quantities below the standard reel size to be supplied on cut tape.

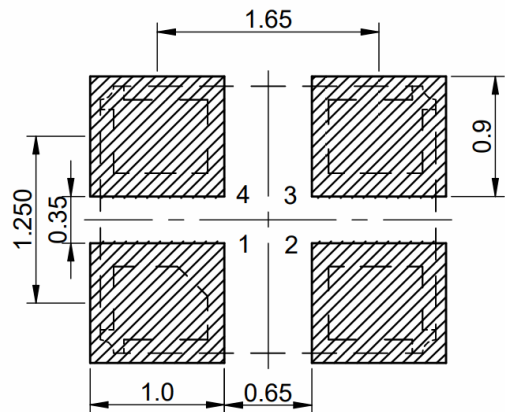
Standard Pack Quantity: 3,000



**Outline (mm)**



**Recommended Solder Pad Layout**



**Sales Office Contact Details:**

UK: +44 (0)1460 270200

Email: [info@iqdfrequencyproducts.com](mailto:info@iqdfrequencyproducts.com)

Web: [www.iqdfrequencyproducts.com](http://www.iqdfrequencyproducts.com)