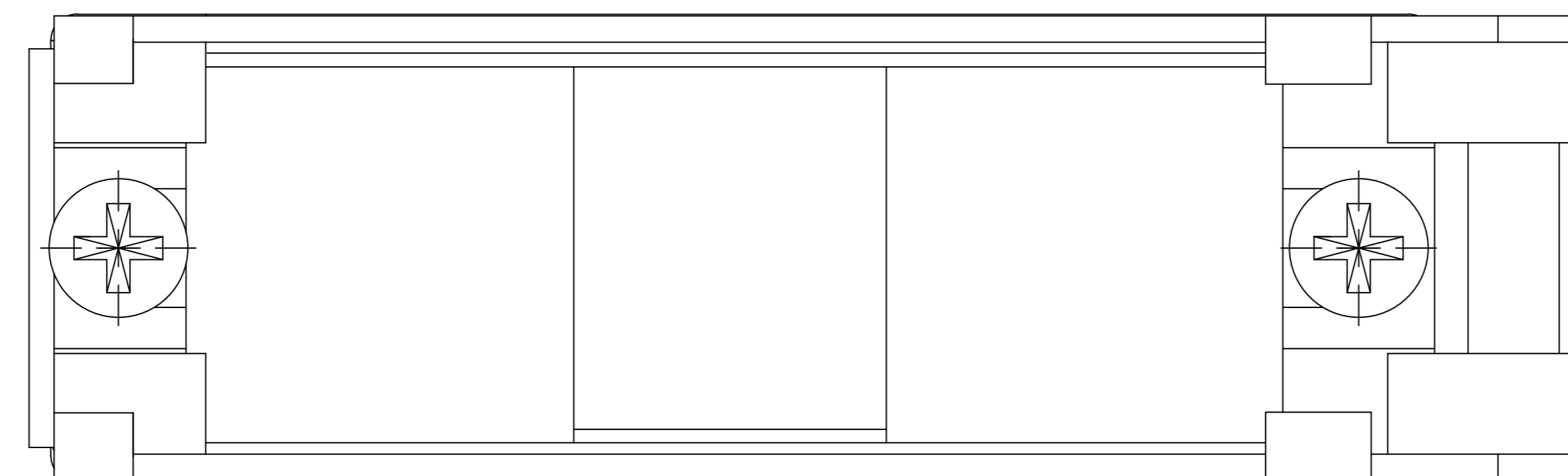
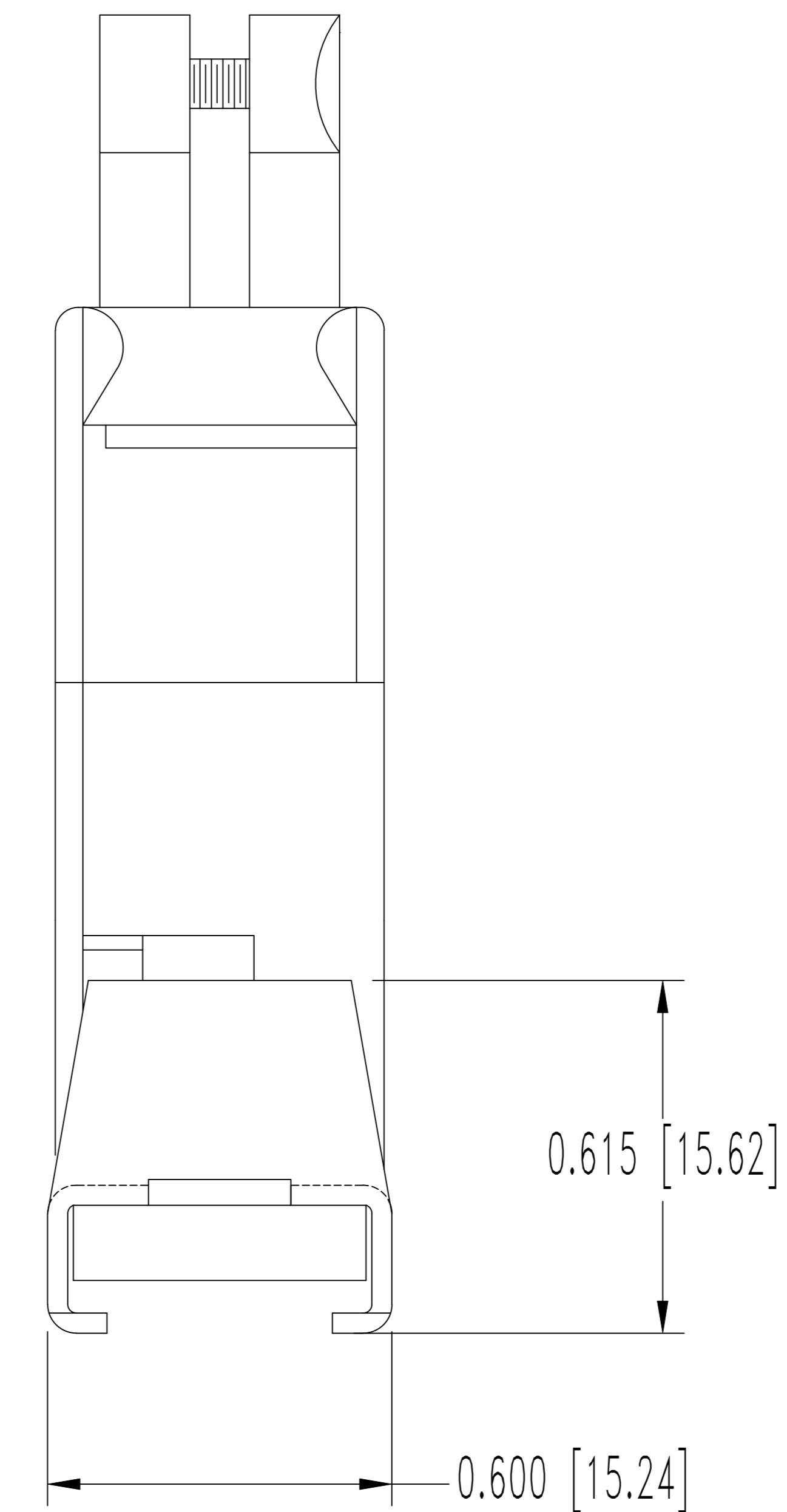
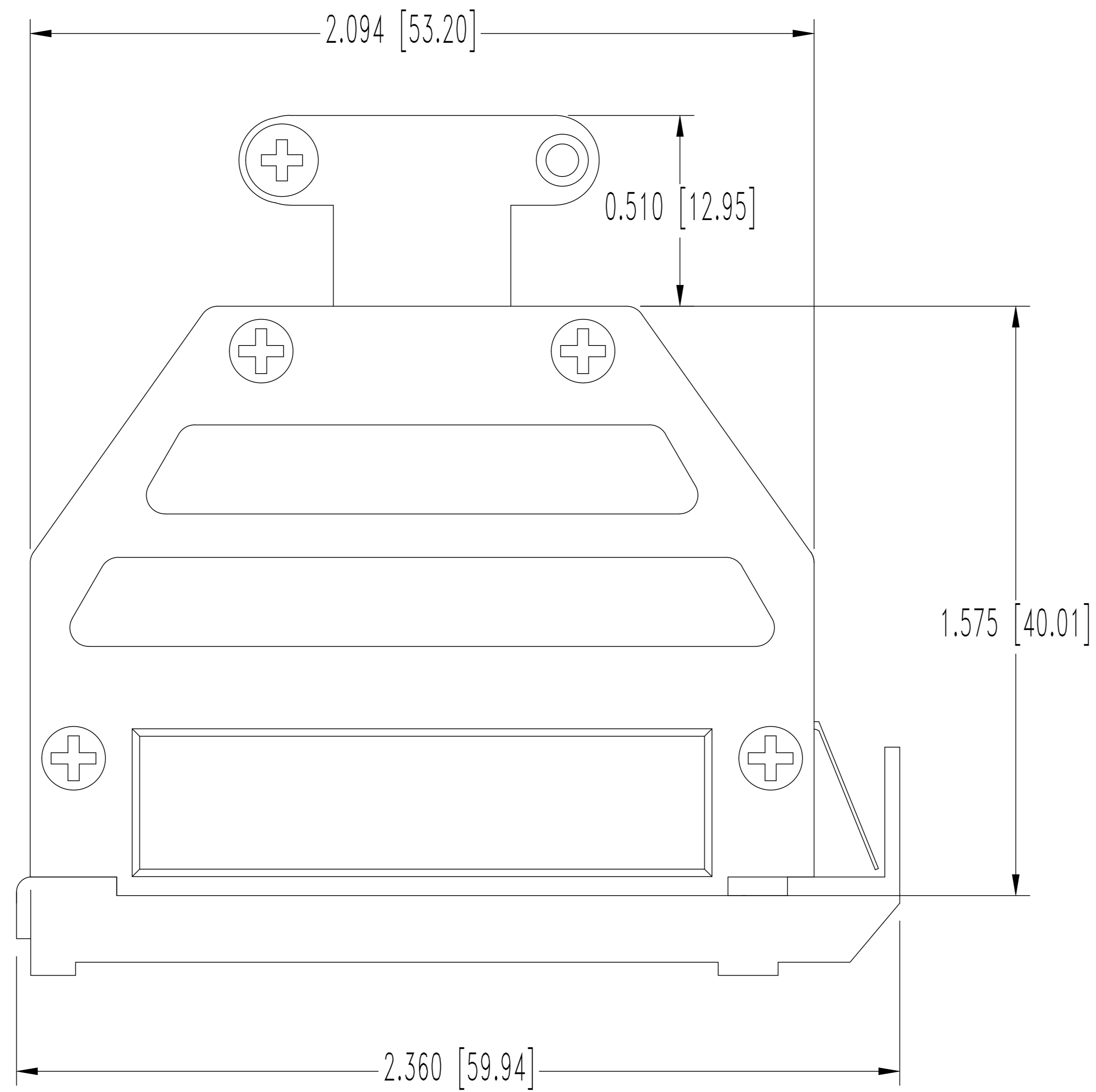


SK8647

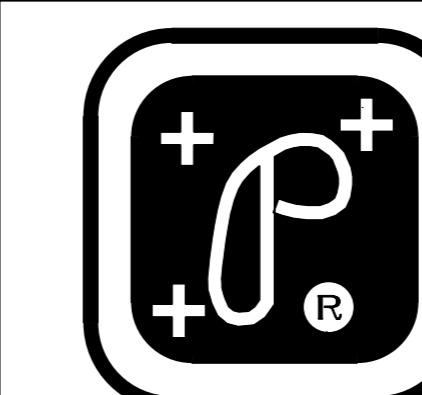
POSITRONIC INDUSTRIES BELIEVES THE DATA ON THIS DRAWING TO BE RELIABLE, SINCE THE TECHNICAL INFORMATION IS GIVEN FREE OF CHARGE, THE USER EMPLOYS SUCH INFORMATION AT HIS OWN DISCRETION AND RISK. POSITRONIC INDUSTRIES ASSUMES NO RESPONSIBILITY FOR RESULTS OBTAINED OR DAMAGES INCURRED FROM USE OF SUCH INFORMATION IN WHOLE OR IN PART.

DATE	REV	REVISION RECORD	APP	DR	CK
6-18-07	NC	ECO 28041		YK	



NOTES:

- MATERIALS AND FINISHES:
 HOOD AND COVER: ZINC, DIE CAST.
 CABLE CLAMP: ZINC, DIE CAST.
 LOCK LEVER: STEEL, NICKEL PLATE.
 MOUNTING SCREWS: STEEL, ZINC PLATE WITH CHROMATE SEAL.
 LOCKARM SPRING: BERYLLIUM COPPER, NICKEL PLATE.
 CABLE CLAMP AND COVER SCREWS: STEEL, NICKEL PLATE.
- DIMENSIONS ARE IN INCHES [MILLIMETERS].



POSITRONIC INDUSTRIES INC.
 www.connectpositronic.com

 DECIMAL TOL. ± 0.015 [0.38]	D SERIES	SCALE N.T.S.	DRAWN BY YK
	TITLE D25000GVLO		
 ANGULAR TOL. ± 5°	DATE 6-18-07	DRAWING NUMBER SK8647	REV. NC