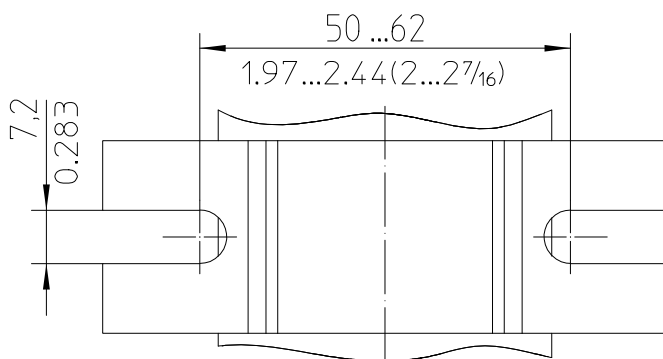
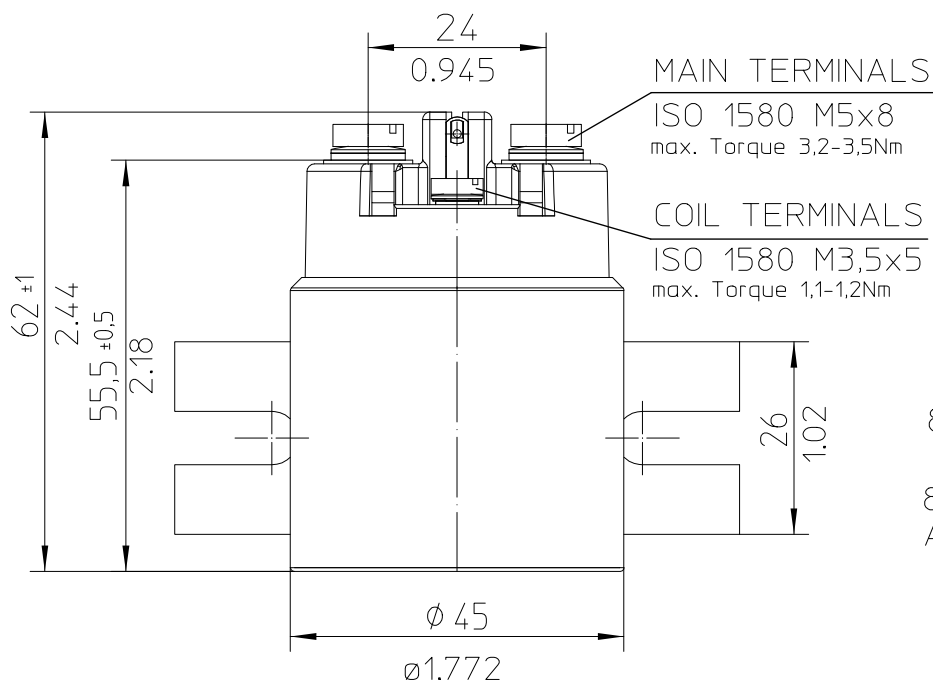


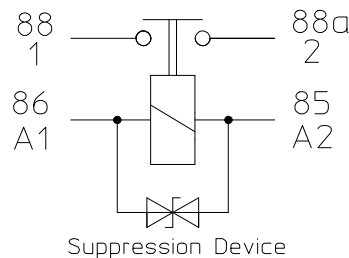
MOUNTING DIMENSION



For this drawing we reserve the copyright in accordance with DIN ISO 16016



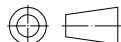
CIRCUIT



DIMENSIONAL TOLERANCES

3 PLACE DECIMAL ±0.010
2 PLACE DECIMAL ±0.03
ANGULAR ±0°30'

Third Angle Projection



	Date	Name
Create	03.07.2008	Hamar
Edited	21.08.2019	Mielk
Check	22.08.2019	Kaise

mm	Scale
Inch	1:1
General Tolerances	
DIN ISO 2768 cL	



Drawing No:

29-014-12

NSN:

Technical Data

ENVIRONMENTAL CHARACTERISTICS

TEMPERATURE RANGE -40°C TO +85°C (-40°F TO +185°F)
 MAX. ALTITUDE RATING 50 000 FT
 SEAL IP67 (6 FT/ 0.2BAR 1 MIN.) I.A.W. IEC 529
 IP6K9K (STEAM PRESSURE) DIN 40050 PART 9 AND I.A.W. IEC 529
 SHOCK G-LEVEL 6G/ 11 MSEC
 VIBRATION 4G/ 50-2000 Hz

ELECTRICAL CHARACTERISTICS

MIN. INSULATION RESISTANCE INITIAL 100 MEGOHMS
 AFTER LIVE OR ENVIRONMENTAL 50 MEGOHMS
 DIELECTRIC WITHSTANDING VOLTAGE SEA LEVEL 1 MINUTE: 1050 VOLTS
 ALTITUDE 1 MINUTE: 500 VOLTS
 MAX. CONTACT DROP INITIAL 0,15 VDC
 AFTER LIFE TEST 0,175 VDC
 OVERLOAD 600 AMP FOR 1 SEC, 150 AMP FOR 20 SEC
 DUTY RATING 75 AMP CONTINUOUS

RATED CONTACT LOAD (28 VDC)

RESISTIVE LOAD 200 000 CYCLES WITH 75 AMP
 ENDURANCE 2 000 000 CYCLES

OPERATING CHARACTERISTICS

COIL DATA

VOLTAGE RANGE 18-32 VDC
 NOMINAL VOLTAGE 28 VDC
 PICK UP VOLTAGE MAX. 18 VDC FULL TEMP. RANGE
 DROP OUT VOLTAGE MAX. ≤ 4 VDC FULL TEMP. RANGE
 COIL RESISTANCE 76 OHMS ±10%
 COIL CURRENT APPROX. 0,37 AMP
 COIL POWER APPROX. 10 W

TIME-MILLISECONDS-MAX.

OPERATE 35
 BOUNCE 5
 RELEASE 15

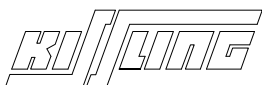
WEIGHT 0,40 KG = 0.88 POUND MAX.

WIRE SECTION (AT NOMINAL LOAD) MIN. 10mm²/ 0.016 sq. in./ AWG 7

MOUNTING POSITION OPTIONAL

SUBJECT TO CHANGE

Für diese Zeichnung behalten wir uns das Urheberrecht gemäß DIN ISO 16016 vor

	Datum	Name	Allgemeintoleranz	Maßstab		Zeichnungs-Nr.:
Erstel.	03.07.2008	Hamar	DIN ISO 2768 cL	1:1		29-014-12
Bearb.	21.08.2019	Mielk				Vers.Nr.:
Freig.	22.08.2019	Kriico				