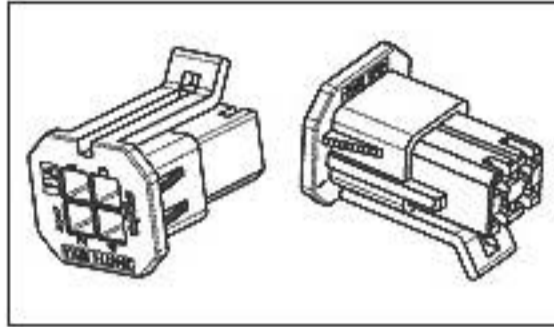


284677-1 Product Details

[Share](#) | [Print](#) | [Email](#)


284677-1

TE Internal Number: 284677-1

Active

Timer Connectors

Always EU RoHS/ELV Compliant ([Statement of Compliance](#))

Product Highlights:

- Connector
- Housing
- Connector Style = Receptacle
- Not Preloaded
- Contact Type = Socket

[View all Features](#)

[Add to My Part List](#) [Request Sample](#) [Find Similar Products](#) [Buy Product](#)

Quick Links

- ▶ [Check Pricing & Availability](#)
- ▶ [Search for Tooling](#)
- ▶ [Product Feature Selector](#)
- ▶ [Contact Us About This Product](#)

Documentation & Additional Information

Product Drawings:

- [4W HSG FOR JPT CTC W. LOCKING DEVICE](#) (PDF, English)

Catalog Pages/Data Sheets:

- None Available

Product Specifications:

- [4 POS. JPT CONNECTOR FOR VDC SYSTEM](#) (PDF, English)

Application Specifications:

- None Available

Instruction Sheets:

- None Available

CAD Files:

- None Available

Additional Information:

- [Product Line Information](#)

Related Products:

- [Tooling](#)

[List all Documents](#)

Product Features (Please use the Product Drawing for all design activity)

Product Type Features:

- Product Type = Connector
- Connector Type = Housing
- [Type of Connector](#) = JPT
- Sealed = No

Body Features:

- Number of Positions = 4
- Centerline, Matrix (mm [in]) = 4.00 x 5.00 [.157 x .197]

Contact Features:

- Preloaded = No
- Contact Type = Socket

Housing Features:

- Connector Style = Receptacle
- Housing Material = PA 6.6
- Housing Color = Natural

Industry Standards:

- [RoHS/ELV Compliance](#) = RoHS compliant, ELV compliant
- [Lead Free Solder Processes](#) = Not relevant for lead free process
- RoHS/ELV Compliance History = Always was RoHS compliant

Other:

- Brand = AMP
- Comment = See drawing for additional product information.; Contacts sold separately.

Corporate Information

[Who We Are](#)
[Investors](#)
[News Room](#)
[Supplier Portal](#)
[Careers](#)

Quick Links

[Check Distributor Inventory](#)
[Cross Reference](#)
[Find Documents & Drawings](#)
[Product Compliance Support Center](#)
[Site Map](#)

Customer Support

[Email or Chat With Us](#)
[Find a Phone Number](#)
[Search Knowledge Base](#)
[Manage your Account](#)

Keep Me Informed

Receive TE News, Events & Technology Updates

