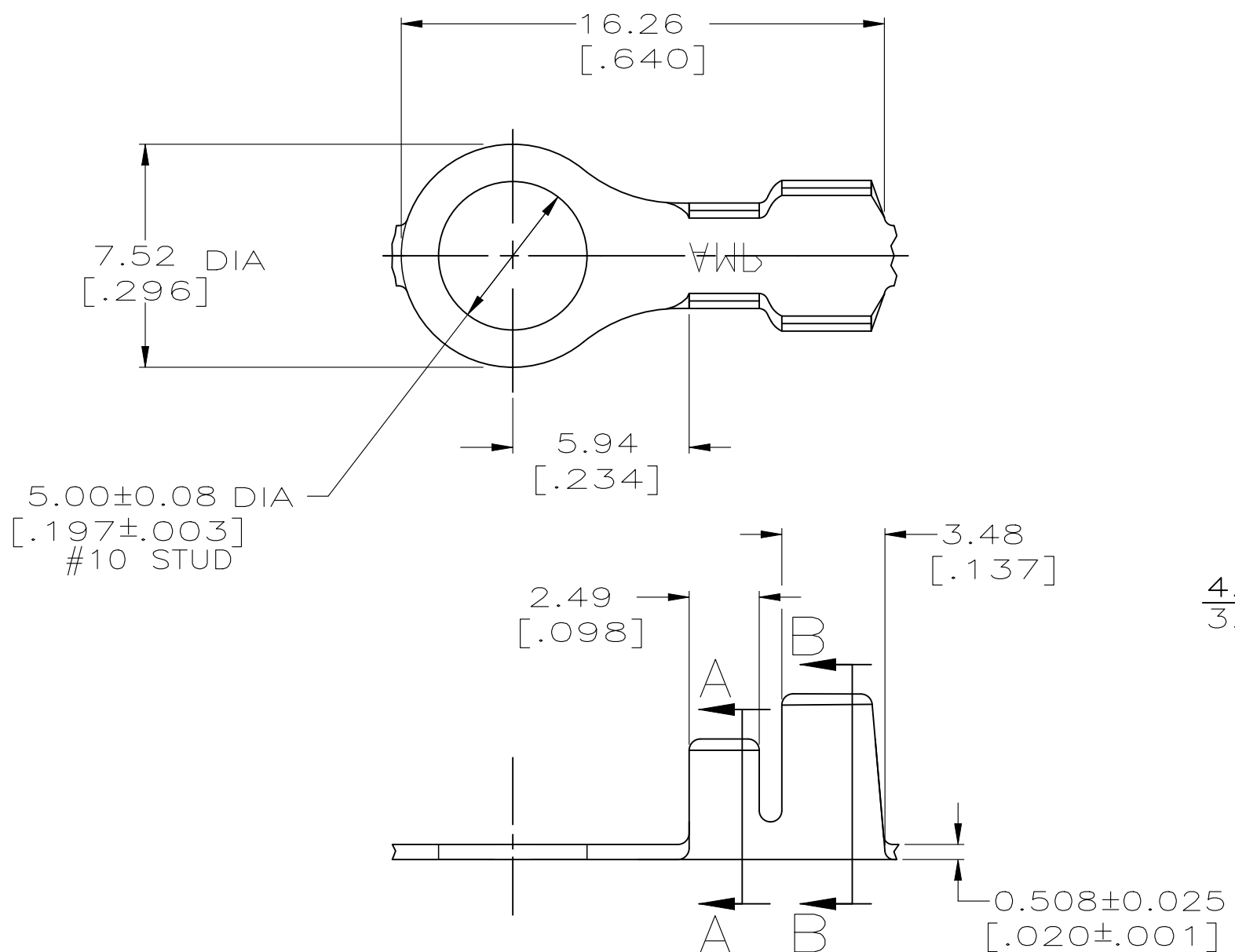
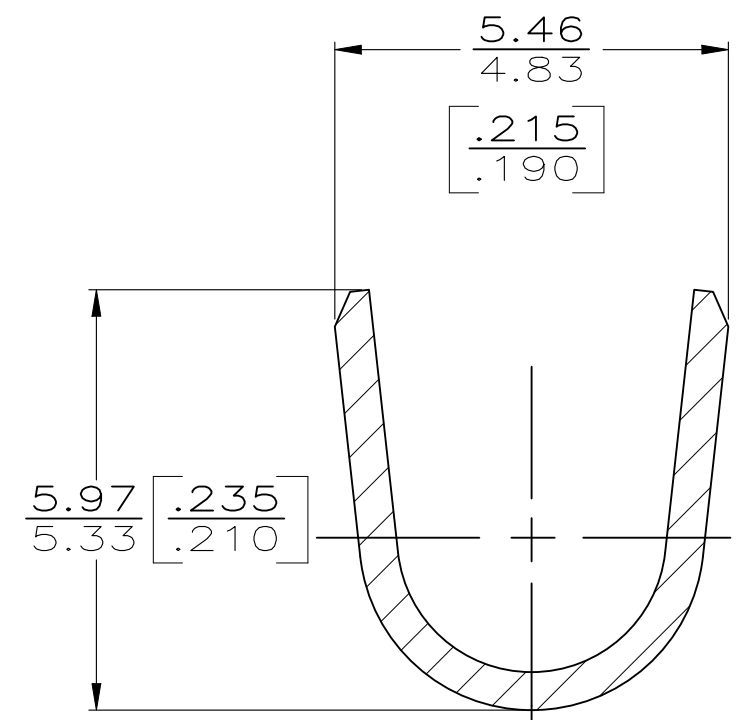
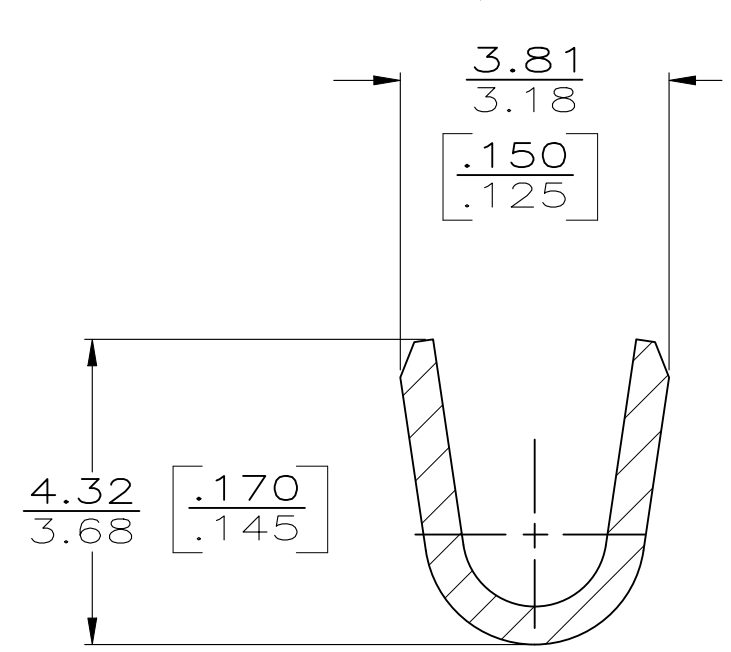


© - TE Connectivity. All Rights Reserved.

REVISIONS					
P	LTR	DESCRIPTION	DATE	DWN	APVD
N4		REVISED PER ECN-25-360726	19JAN2026	CM	RE
N3		REVISED PER ECO-13-000154	09JAN13	B.P	YH.M



- 1 CONTINUOUS STRIP ON REEL.
- △ 2 P/N 41333-2 IS SAME AS P/N 41333 EXCEPT IS REVERSE REELED.
- 3 P/N 41333-4 IS NICKEL PLATED STEEL.



**METRIC**

OBSOLETE

3.05-4.32 DIA [.120-.170]	0.8-2.0mm [18-14] AWG	41333-4 △3
		41333-2 △2
		41333
INSULATION RANGE	WIRE RANGE	PART NO.

F OR O	4.57 [.180]	4.06 [.160]	F	3.05 [.120]	2.03 [.080]	2.0MM <sup>2</sup> [14]
					1.83 [.072]	1.3MM <sup>2</sup> [16]
					1.70 [.067]	0.8MM <sup>2</sup> [18]
TYPE	WIDTH	STRIP LENGTH ±0.38 [±.015]	TYPE	WIDTH	±0.051 [±.002] HEIGHT	WIRE
INSUL BARREL CRIMP			WIRE BARREL CRIMP			

THIS DRAWING IS A CONTROLLED DOCUMENT.

DWN B.P 1/09/13

CHK F.M 1/11/13

APVD YH.M 1/15/13

PRODUCT SPEC RING

APPLICATION SPEC

SIZE CAGE CODE DRAWING NO RESTRICTED TO

082 BRASS MATERIAL TIN FINISH

WEIGHT 0.000000 A3 00779 C-41333

CUSTOMER DRAWING SCALE 5:1 SHEET 1 OF 1 REV N4