

P	LTR	DESCRIPTION	DATE	DWN	APVD
	A	TE STANDARD UPDATED	07MAY2024	KS	RB

TA-Nr.	300AMP. POWER RELAY (28VDC) GROVE SPECIAL TYPE LONG FORM SIDE MOUNTING ENVIRONMENTALLY SEALED STUD TERMINALS SUPPRESSION DEVICE	Series 29 Page 1 of 2
--------	---	---------------------------------

DIMENSIONAL TOLERANCES

3 PLACE DECIMAL ± 0.010
2 PLACE DECIMAL ± 0.03
ANGULAR ± 0°30'

1996	Date	Name	Inch	Scale	 ELEKTROTECHNIK D-72218 Wildberg	Drawing No. = Order No.
Design	27.06.	Bo	mm	1:1		29.314.12.900
Check	27.06.	Grupp	General Tolerances			GROVE P/N 7750 000 757
Appro						

TA-Nr.	300AMP. POWER RELAY (28VDC) GROVE SPECIAL TYPE LONG FORM SIDE MOUNTING ENVIRONMENTALLY SEALED STUD TERMINALS SUPPRESSION DEVICE	Series 29 Page 2 of 2
--------	---	---------------------------------

TECHNICAL DATA

ENVIRONMENTAL CHARACTERISTICS

TEMPERATUR RANGE -40° C TO +85° C (-40° F TO +185° F)
 MAX. ALTITUDE RATING 50 000 FT
 SEAL IP67 (6 FEET / 0,2 BAR - 1MIN.) I.A.W. IEC 529
 IP6K9K (STEAM PRESSURE) DIN 40050 PART 9 I.A.W. 529
 SHOCK G-LEVEL 6 G / 11 MSEC
 VIBRATION 4 G / 50 - 2000 Hz

ELECTRICAL CHARACTERISTICS

MIN. INSULATION RESISTANCE: INITIAL 100 MEGOHMS
 AFTER LIFE OR ENVIRONMENTAL 50 MEGOHMS
 DIELECTRIC WITHSTANDING VOLTAGE SEA-LEVEL 1 MINUTE 1 050 VOLTS
 ALTITUDE 1 MINUTE 500 VOLTS
 MAX. CONTACT DROP INITIAL 0.15 VOLTS
 AFTER LIFE TEST 0.175 VOLTS
 OVERLOAD 2400 AMP FOR 1 SEC., 600 AMP FOR 20 SEC.
 DUTY RATING 300 AMP CONTINUOUS

RATED CONTACT LOAD (28 VDC)

RESISTIVE LOAD 200 000 CYCLES WITH 300 AMP
 INDUCTIVE LOAD 40 000 CYCLES WITH 75 AMP
 MOTOR LOAD 200 000 CYCLES WITH 300 AMP
 ENDURANCE 2 000 000 CYCLES

OPERATING CHARACTERISTICS

COIL DATA

VOLTAGE RANGE 18 - 32 VDC
 NOMINAL VOLTAGE 28 VDC
 PICK UP VOLTAGE MAX. 18 VDC FULL TEMP. RANGE
 DROP OUT VOLTAGE MAX. ≤ 4 VDC FULL TEMP. RANGE
 COIL RESISTANCE 62 OHMS ± 10%
 COIL CURRENT APPROX. 0.4 AMP
 COIL POWER APPROX. 10 WATT

TIME-MILLISECONDS-MAX.

OPERATE 40
 BOUNCE 5
 RELEASE 20

WEIGHT 0.82 kg = 1.81 POUND MAX.

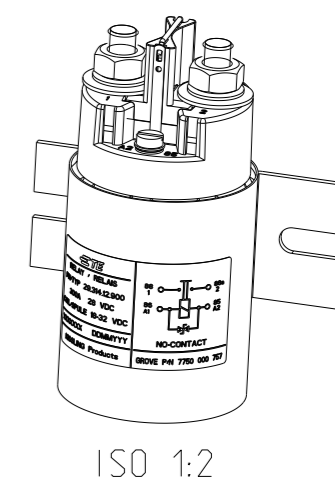
WIRE SECTION (AT NOMINAL LOAD) MIN. 95 mm² / 0.147 sq. in. / AWG 0000

MOUNTING POSITION OPTIONAL

SUBJECT TO CHANGE

1996	Date	Name	Inch	Scale	 ELEKTROTECHNIK D-72218 Wildberg	Drawing No. = Order No.
Design	27.06.	Bo	mm	1:1		29.314.12.900
Check	27.06.	Grupp	General Tolerances			GROVE P/N 7750 000 757
Appro						

NOTE:
Bemerkungen:
 1 TE-CONNECTIVITY ORDER-NUMBER
 TE-Connectivity Bestellnummer



K1021419	1	A	300AMP POWER RELAY (24/28VDC) 300AMP Leistungsrelais (24/28VDC)	1
TE ORDER-NO.	REV.		DESCRIPTION	ITEM NO



THIS DRAWING IS A CONTROLLED DOCUMENT.		DWN	27 JUN 1996
		CHK	27 JUN 1996
		APVD	27 JUN 1996
		PRODUCT SPEC	
		APPLICATION SPEC	
		WEIGHT	
		CUSTOMER DRAWING	

DIMENSIONS:	TOLERANCES UNLESS OTHERWISE SPECIFIED:	
mm	DIN ISO 2768-CL	
	0 PLC ±	
	1 PLC ±	
	2 PLC ±	
	3 PLC ±	
	4 PLC ±	
	ANGLES ±	
MATERIAL	FINISH	

NAME 300AMP POWER RELAY (24/28VDC) 300AMP Leistungsrelais (24/28VDC)			
SIZE	CAGE CODE	DRAWING NO	RESTRICTED TO
A3	00779	©=29-314-12-900	-
SCALE		SHEET	REV
1:1		1 OF 1	A