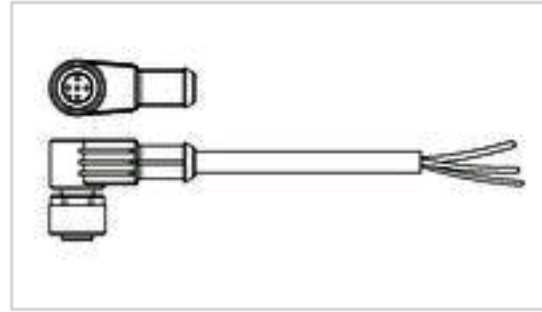




1-2273083-2 Product Details

[Share](#) | [Print](#) | [Email](#)


✔ Active

M8/M12 Connector System

M12 x 1.0 angled socket pigt A

1-2273083-2 ✔

TE Internal Number: 1-2273083-2

Product Highlights [View All](#)

- M12 Series
- Cable Assembly
- Receptacle
- Female
- Wire Size = 0.33² [22] mm² [AWG]

- [Pricing & Availability](#) ➤
- [Request Sample](#) ➤
- [Add to My Part List](#) +
- [Buy Product through Distributor](#) ➤

Feedback

[Documents](#) | [Features](#) | [Compliance](#)

Please Note:
Use the Product Drawing for all design activity

| Product Type Features | |
|--|------------------------|
| Product Type [?] | Cable Assembly |
| Connector Type | Receptacle |
| Gender | Female |
| Wire Size (mm ² [AWG]) [?] | 0.33 ² [22] |
| Thread Size | M12 |
| Mount Angle | Right Angle |

| Electrical Characteristics | |
|-----------------------------|--|
| Contact - Rated Current (A) | 4 ▼ |
| Operating Voltage (VAC) | 24 |
| Operating Voltage (VDC) | 24 |

| Dimensions | |
|------------------------------------|--------------|
| Cable Length (M [ft]) [?] | 3.00 [9.842] |

| Body Features | |
|---------------------|---------------------------|
| Connector Color | Blue |
| Insulation Material | PVC |
| Wire Color | Brown, White, Blue, Black |
| Cable Color | Black |

| Housing Features | |
|------------------|---------|
| Housing Material | Plastic |

| Configuration Features | |
|----------------------------------|----|
| Number of Positions [?] | 4 |
| Shielded | No |

| Industry Standards | |
|---|------------------------------------|
| IP Dust Sealing Level | 6 |
| IP Water Sealing Level | 7 |
| RoHS/ELV Compliance [?] | RoHS compliant, ELV compliant |
| Lead Free Solder Processes [?] | Not relevant for lead free process |
| RoHS/ELV Compliance History | Always was RoHS compliant |

| Identification Marking | |
|------------------------|--|
| Keying | A ▼ |

| Environmental | |
|---------------------------------|------------------------|
| Operating Temperature (°C [°F]) | -25 - +85 [-13 - +185] |

| Conditions for Usage | |
|----------------------|-----|
| Field Serviceable | Yes |

| Operation/Application | |
|-----------------------|---------|
| Application | Sensors |

| Packaging Features | |
|--------------------|----------|
| Packaging Quantity | 1/Carton |

| Other | |
|--------|-----------------|
| Series | M12 |
| Brand | TE Connectivity |

Related Products

Not quite the product you're looking for?
[Find Similar Products](#)

[View Part in Product Feature Selector](#)

[Check for Tooling](#)

