

NOTES:

1. MATERIALS AND FINISHES:
 BODY & OUTER CONTACT - BRASS, WHITE BRONZE PLATING
 CONTACT - BeCu, SILVER PLATING
 INSULATOR - PTFE, NATURAL

2. ELECTRICAL:
 A. IMPEDANCE: 50 OHM
 B. FREQUENCY RANGE: DC - 2 GHz
 C. VSWR(RETURN LOSS): 1.05 (32 dB), MAX.
 D. THIRD ORDER INTERMODULATION DISTORTION, MAXIMUM
 -120 dBm WITH 2+43 dBm CARRIERS (-163dBc).

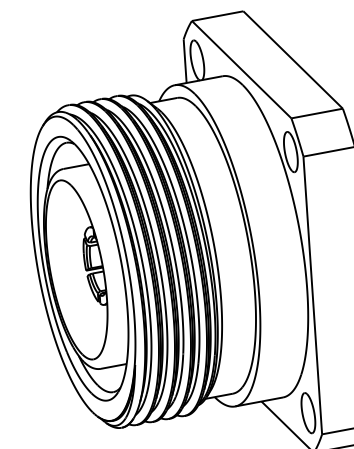
3. MECHANICAL:
 A. DURABILITY: 500 CYCLES MIN.
 B. TEMPERATURE RANGE: -65°C TO +165°C

4. PACKAGING:
 A. QUANTITY: SINGLE PACK
 B. MARKING: BAG TO BE MARKED
 "AMPHENOL RF, 716-24, AND DATE CODE"

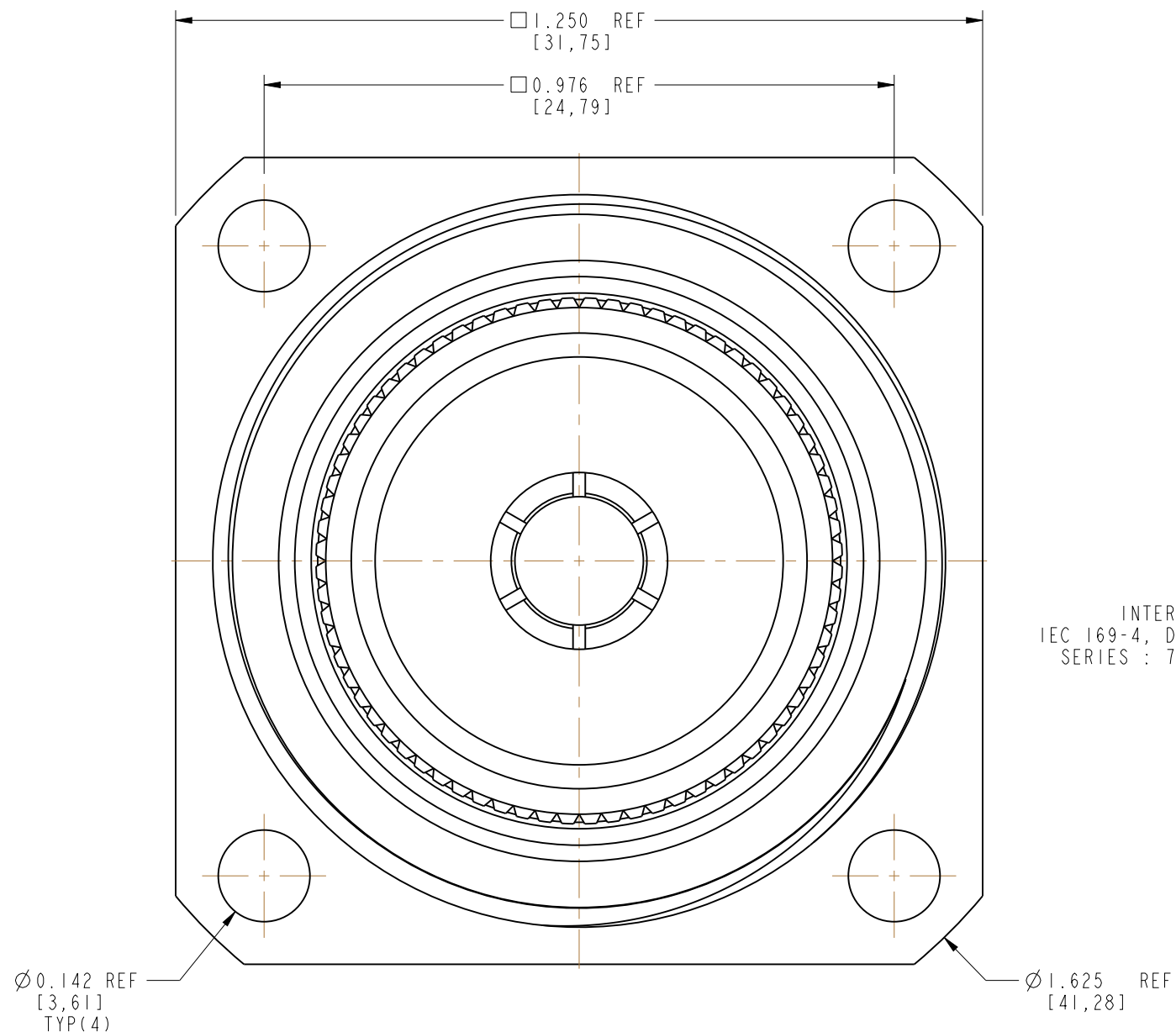
THIRD ANGLE PROJ.

REVISIONS

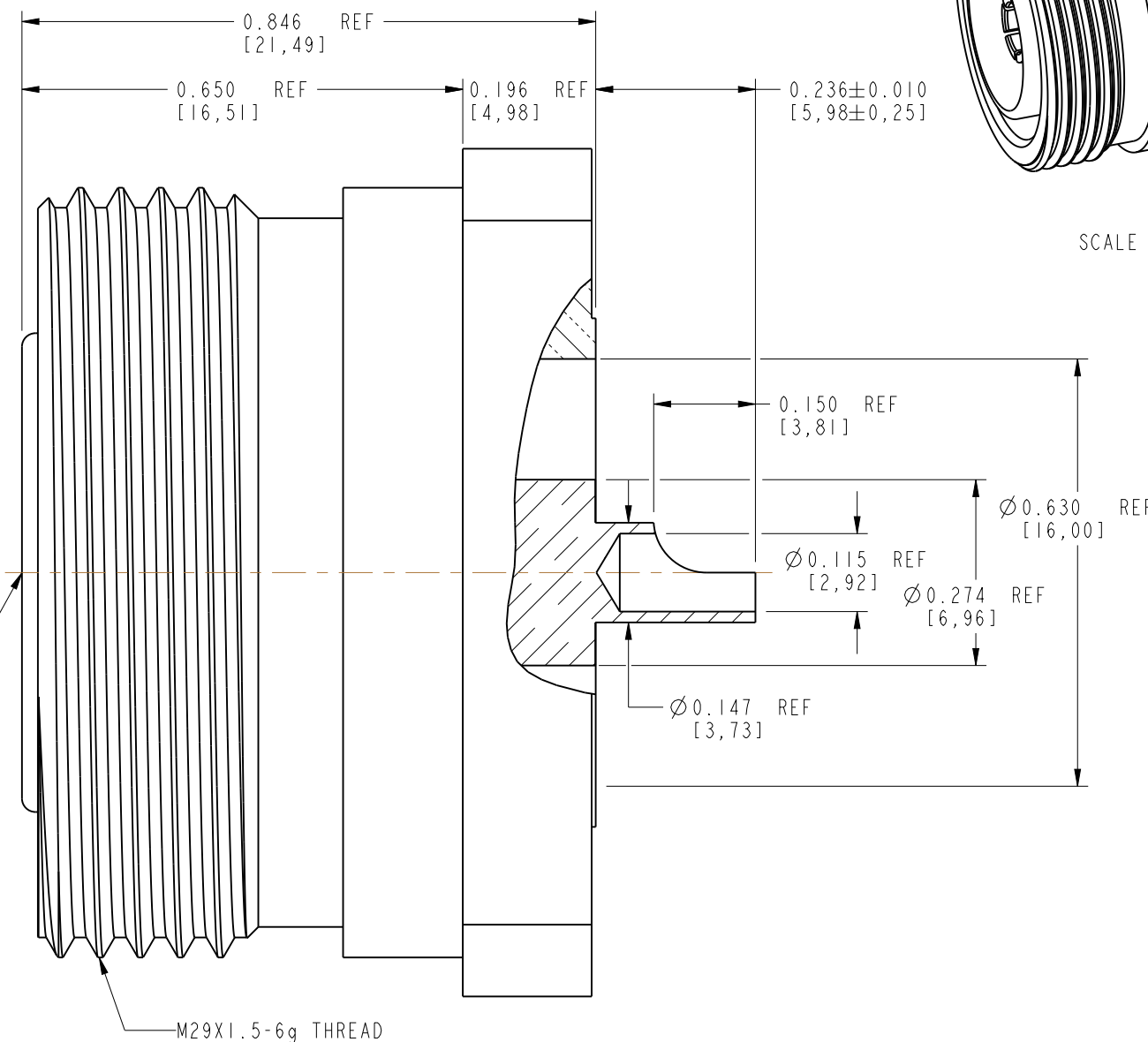
REV	DESCRIPTION	DATE	ECO	APPR
A	RELEASE TO MFG.	08-Jan-98	42300	ORB
B	FORMAT UPDATED & COD SHEET ADDED	9/2/16	1385	AAP



SCALE 1.500



INTERFACE PER
 IEC 169-4, DIN 47223
 SERIES : 7/16 JACK



CUSTOMER OUTLINE DRAWING

ALL OTHER SHEETS ARE FOR INTERNAL USE ONLY

UNLESS OTHERWISE SPECIFIED, DIMENSIONS ARE IN INCHES AND TOLERANCES ARE: 2 PLACE DECIMAL 3 PLACE DECIMAL ANGLES ±.015 (0,381 mm) ±.005 (0,127 mm) ± 1°	MATERIAL	DRAWN	DATE	TITLE 7/16 STR JACK PANEL MOUNT RECEPTACLE		Amphenol RF www.amphenolrf.com	
	SEE NOTES	A ARUN PRABU	01-Jul-16				
NOTICE - These drawings, specifications, or other data (1) are, and remain the property of Amphenol corp. (2) must be returned upon request; and (3) are confidential and not to be disclosed to any person other than those to whom they are given by Amphenol Corp. the furnishing of these drawings, specifications, or other data by Amphenol Corp., or to any other person to anyone for any purpose is not to be regarded by implication or otherwise in any manner licensing, granting rights to permitting such holder or any other person to manufacture, use or sell any product, process or design, patented or otherwise, that may in any way be related to or disclosed by said drawings, specifications, or other data.	REFERENCE	ENGINEER	DATE	SCALE: 4.0:1.0 SHEET 2 OF 2		DRAWING NO. 716-24	
	EAR # 966519-3 AND GEN# ASSYF22-716	OWEN BARTHELME	02-Dec-97			ITEM NO. 716-24	
	CONFIGURATION LEVEL: In Work	APPROVED	CAD FILE	DATE	DWG SIZE		PART NO. 716-24
FINISH			19-Jul-16	B		REV B	