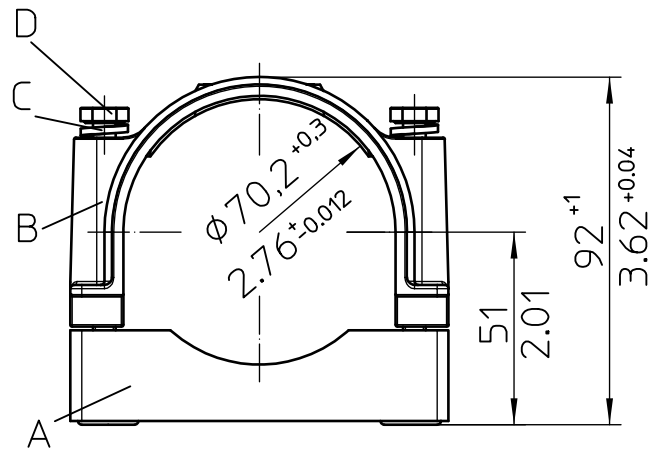
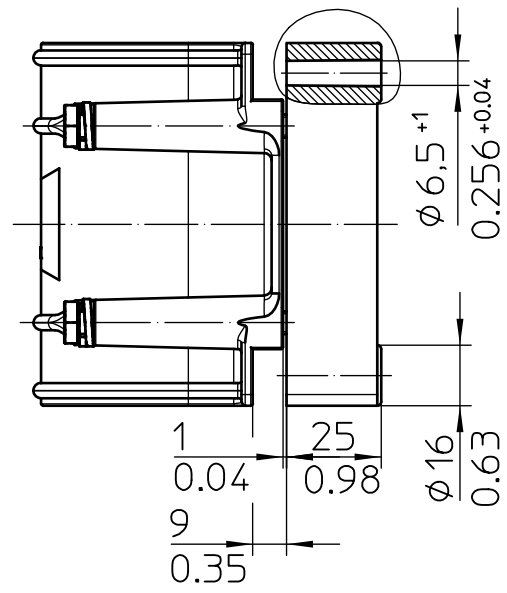
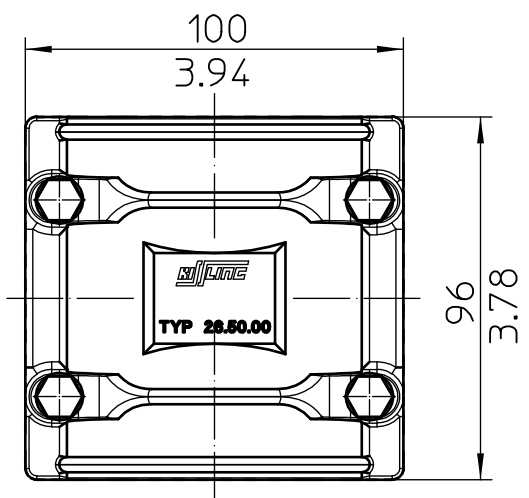


MOUNTING BRACKET

FOR 1000AMP. RELAYS METRIC - VERSION



PARTS LIST:

- A. BASE
- B. COVER
- C. SPRING WASHER 6 DIN 127
- D. HEXAGON HEAD SCREW M6x70 DIN 931

TECHNICAL DATA:

MEETS THE REQUIREMENTS OF MIL-R-6106 AND VG 96 928 T8

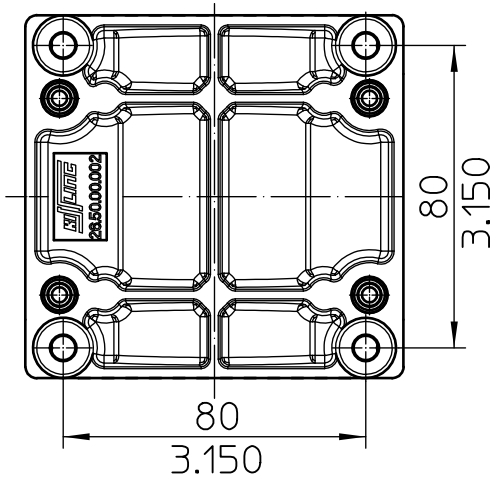
USE.....1000AMP. RELAY P/N 26-02-14

WEIGHT.....0,51kg = 1,12 POUNDS

MATERIAL..SEAWATER RESISTENT ALUMINIUM DIECASTING ALLOY

BASE EQUIPPED WITH STEEL INSERT M6

MANDTORY QUALIFICATION IN ACCORDANCE WITH VG 95 001 PART 6

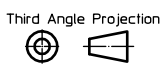


DIMENSIONAL TOLERANCES

3 PLACE DECIMAL ± 0.010

2 PLACE DECIMAL ± 0.03

ANGULAR $\pm 0^{\circ}30'$



	Date	Name	mm inch	Scale 1:2		Drawing No:
Drawn	09.01.2004	Hamar	General Tolerances 768 mK			26-50-00
						NSN.: 5945-12-190-0847