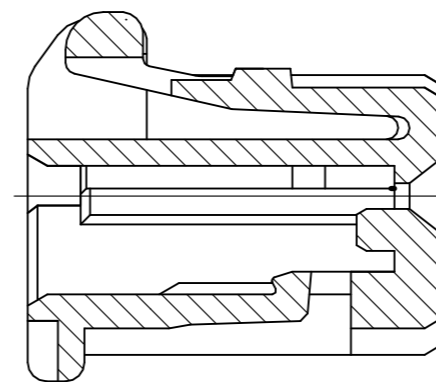
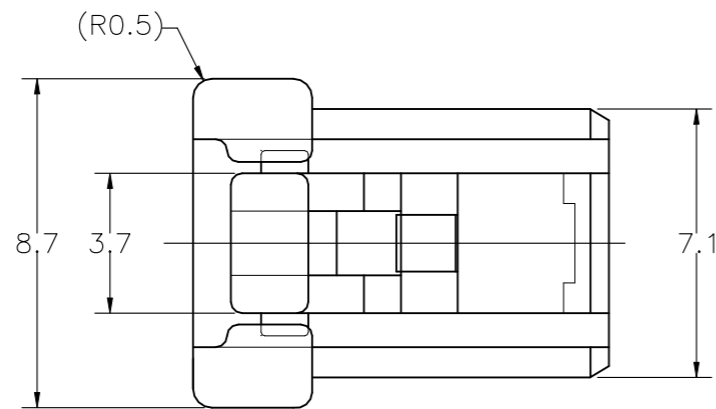
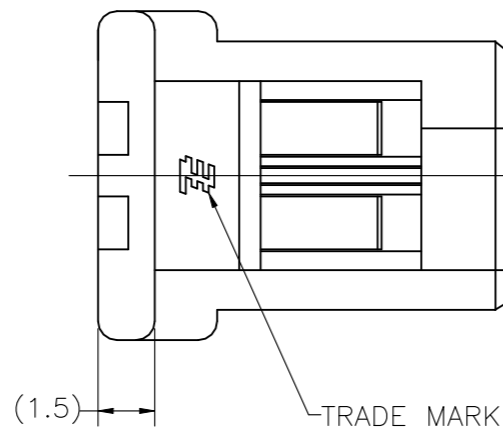
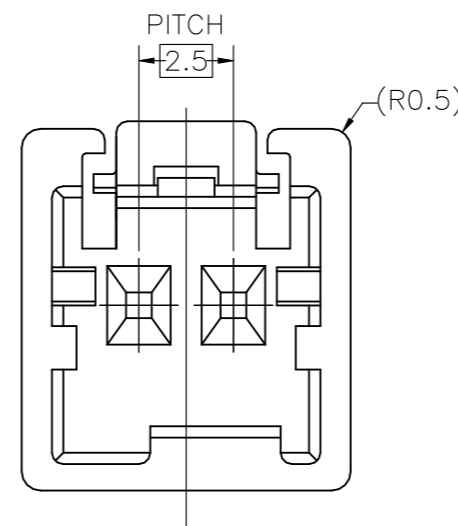
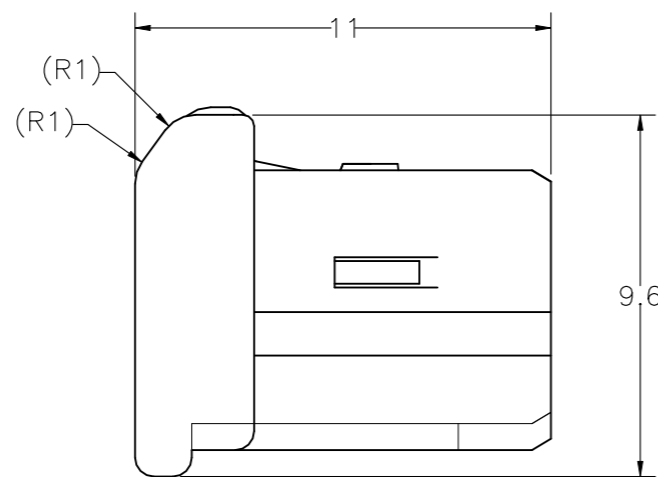
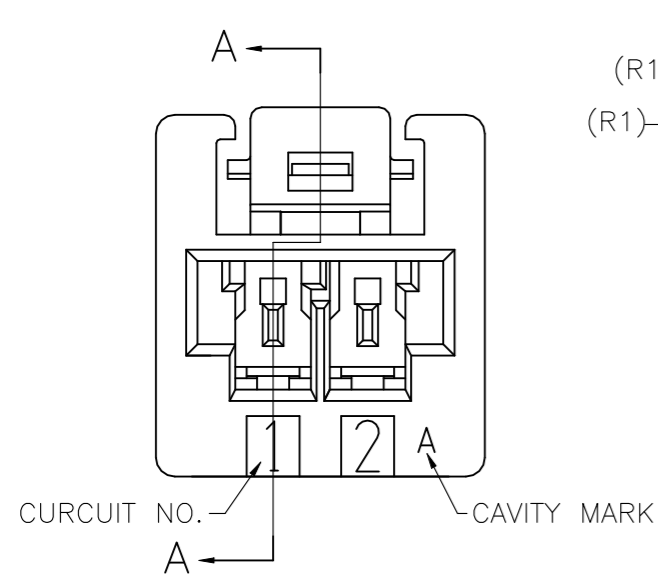
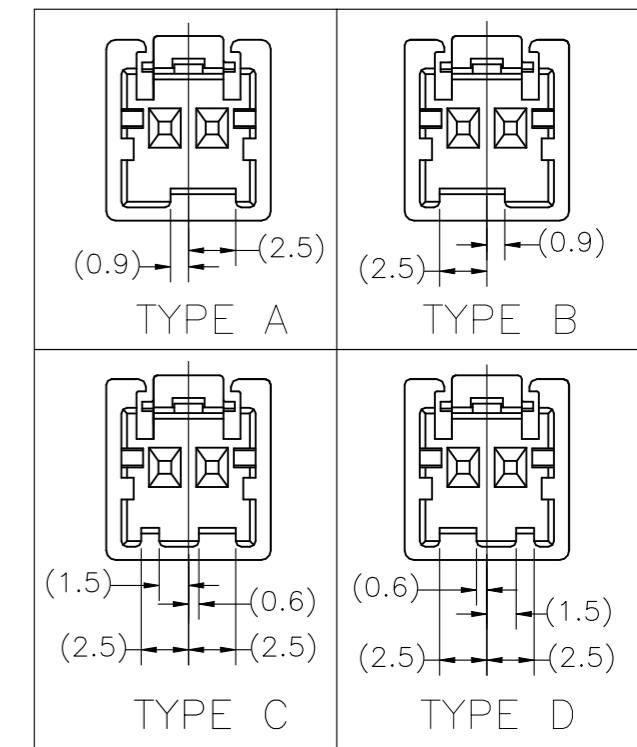


REVISIONS 変更					
P	LTR	DESCRIPTION	DATE	DWN	APVD
	D	REVISED PER ECR-22-153759	04MAY2023	MV	DZ



断面 A-A  
SECT A-A

TYPE OF KEYING



4-1903391-2	TYPE B	BLACK 黒色	4-1903388-2
3-1903391-4	TYPE D	YELLOW 黄色	3-1903388-4
2-1903391-3	TYPE C	BLUE 青色	2-1903388-3
1-1903391-2	TYPE B	RED 赤色	1-1903388-2
1903391-1	TYPE A	NATURAL 自然色	1903388-1
かん合相手型番 MATING HSG P/N	キーイング形状 TYPE OF KEYING	色調 COLOR	型番 PART NUMBER

- 注記  
 1. 一般公差: ±0.3  
 △ 材料PBTガラス強化(UL94V-0)  
 △ かん合相手製品型番  
 キャップハウジング: TABLE参照のこと  
 リセコンタクト: 917683, 917684

- NOTE  
 1. GENERAL TOLERANCE: ±0.3  
 △ MATERIAL: PBT GLASS FILLED (UL94V-0)  
 △ MATING CONN. P/N  
 CAP HOUSING: SEE TABLE  
 REC CONTACT: 917683, 917684

THIS DRAWING IS A CONTROLLED DOCUMENT.		DWN J. SATO 01NOV05	TE Connectivity														
DIMENSIONS: 単位: 耗 mm		CHK T. HATANO 01NOV05				NAME N. YAMASAKI 01NOV05											
TOLERANCES UNLESS OTHERWISE SPECIFIED: 一般公差		APVD N. YAMASAKI 01NOV05	PRODUCT SPEC 製品規格 108-78350														
<table border="1"> <tr><td>0 PLC</td><td>±</td></tr> <tr><td>1 PLC</td><td>±</td></tr> <tr><td>2 PLC</td><td>±</td></tr> <tr><td>3 PLC</td><td>±</td></tr> <tr><td>4 PLC</td><td>±</td></tr> <tr><td>ANGLES</td><td>±</td></tr> </table>		0 PLC	±	1 PLC	±	2 PLC	±	3 PLC	±	4 PLC	±	ANGLES	±	APPLICATION SPEC 取付適用規格		NAME GRACE INERTIA CONNECTOR 2.5 W PLUG HOUSING 2P	
0 PLC	±																
1 PLC	±																
2 PLC	±																
3 PLC	±																
4 PLC	±																
ANGLES	±																
MATERIAL 材料 SEE NOTE 2		WEIGHT 0.000000	SIZE A3	CAGE CODE 00779	DRAWING NO C-1903388												
CUSTOMER DRAWING			RESTRICTED TO —	SCALE 尺度 5:1	SHEET 1 OF 1												
			REV D														