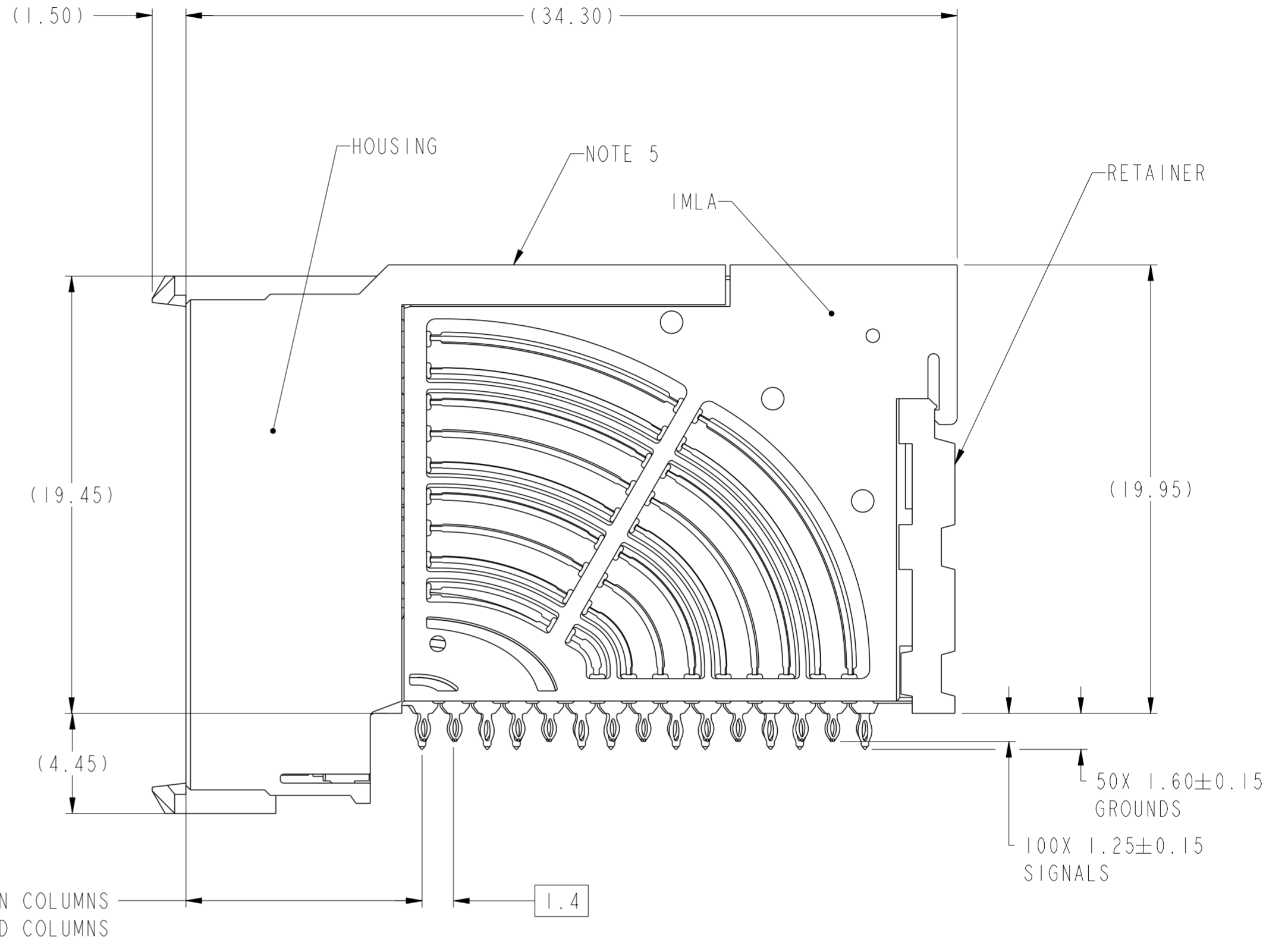
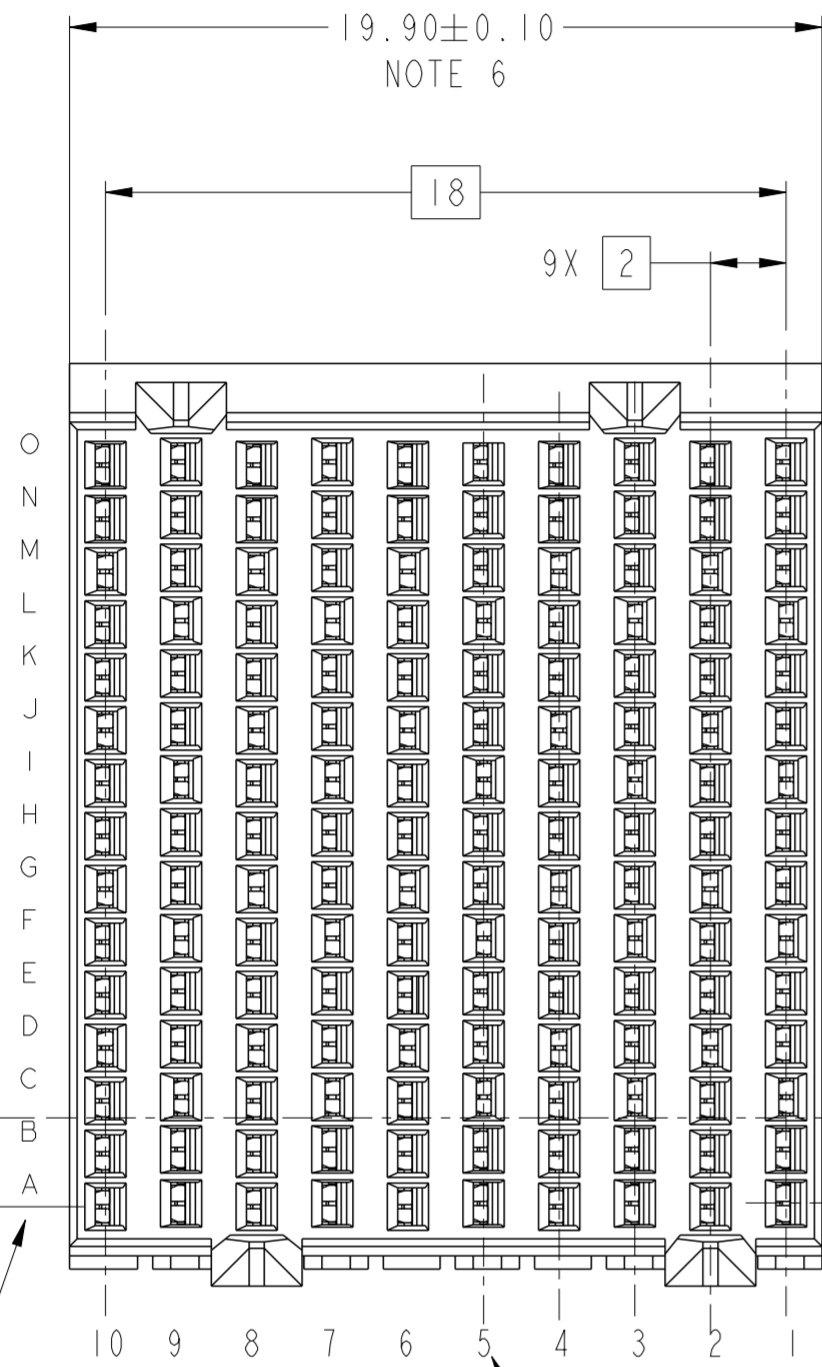


PRODUCT NUMBER  
SEE SHEET 3

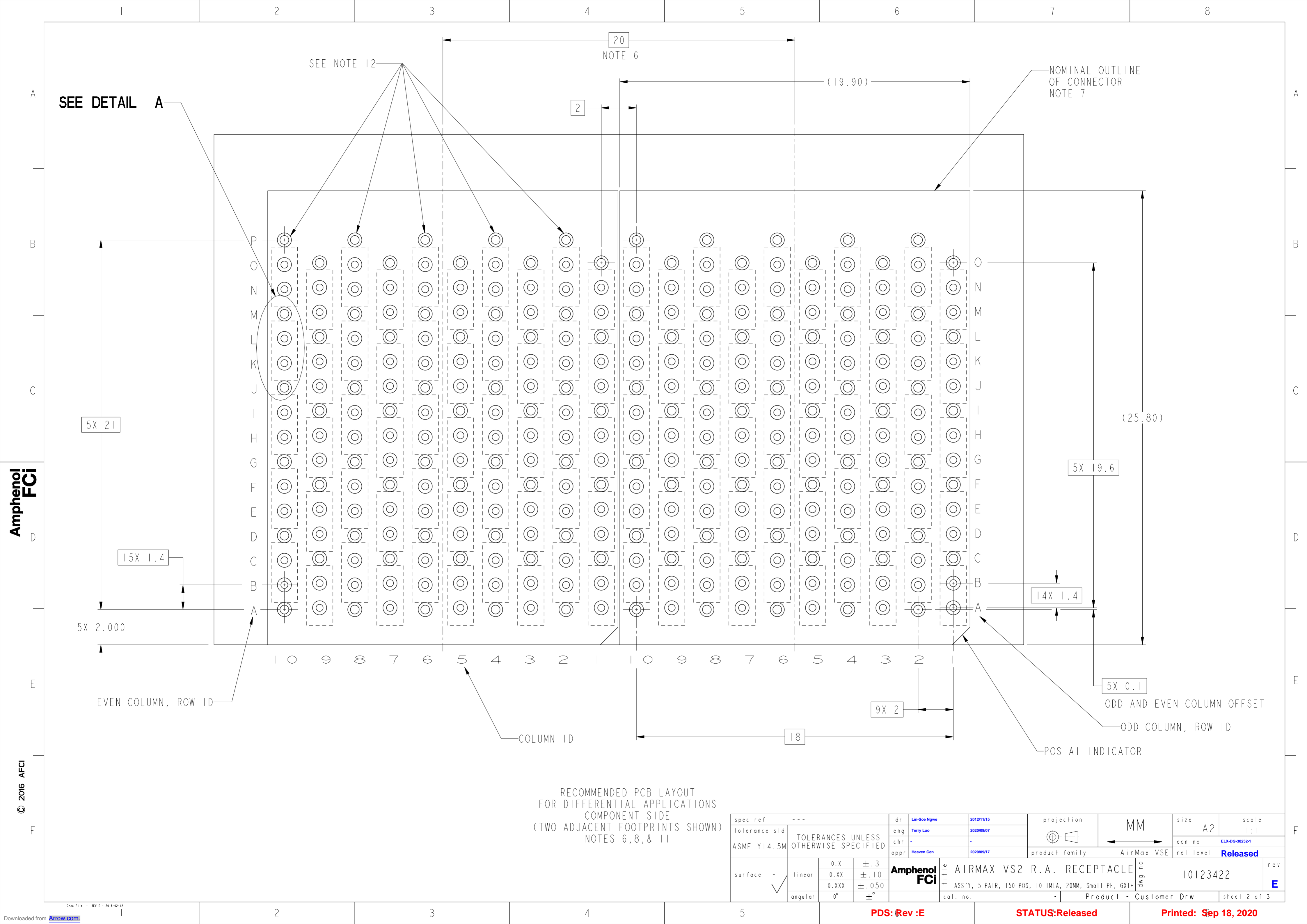


10.50  $\phi$  EVEN COLUMNS  
10.60  $\phi$  ODD COLUMNS

COLUMN ID  
ODD COLUMN, CONTACT ROW ID

EVEN COLUMN, CONTACT ROW ID  
ODD AND EVEN COLUMNS ARE OFFSET

|                                       |  |          |              |                        |              |    |            |                |           |          |      |  |       |       |         |    |    |      |            |            |       |   |
|---------------------------------------|--|----------|--------------|------------------------|--------------|----|------------|----------------|-----------|----------|------|--|-------|-------|---------|----|----|------|------------|------------|-------|---|
| spec ref                              | ---  | dr       | Lin-Soo Ngwe | 2012/11/15             | projection   | MM | size       | A2             | scale     | 1:1      |      |  |       |       |         |    |    |      |            |            |       |   |
| tolerance std                         | ASME Y14.5M  | eng      | Terry Luo    | 2020/09/07             |              |    | ecn no     | ELX-DG-38252-1 | rel level | Released |      |  |       |       |         |    |    |      |            |            |       |   |
| TOLERANCES UNLESS OTHERWISE SPECIFIED |  | chr      | -            | product family         |              |    | AirMax VSE |                |           |          |      |  |       |       |         |    |    |      |            |            |       |   |
| surface                               | <table border="1"> <tr> <td>linear</td> <td>0.X</td> <td>±.3</td> </tr> <tr> <td></td> <td>0.XX</td> <td>±.10</td> </tr> <tr> <td></td> <td>0.XXX</td> <td>±.050</td> </tr> <tr> <td>angular</td> <td>0°</td> <td>±°</td> </tr> </table> | linear   | 0.X          | ±.3                    |              |    |            | 0.XX           |           |          | ±.10 |  | 0.XXX | ±.050 | angular | 0° | ±° | appr | Heaven Cen | 2020/09/17 | title | AIRMAX VS2 R.A. RECEPTACLE ASS'Y, 5 PAIR, 150 POS, 10 IMLA, 20MM, Small PF, GXT |
| linear                                | 0.X  | ±.3      |              |                        |              |    |            |                |           |          |      |  |       |       |         |    |    |      |            |            |       |   |
|                                       | 0.XX   | ±.10     |              |                        |              |    |            |                |           |          |      |  |       |       |         |    |    |      |            |            |       |   |
|                                       | 0.XXX  | ±.050    |              |                        |              |    |            |                |           |          |      |  |       |       |         |    |    |      |            |            |       |   |
| angular                               | 0°   | ±°       |              |                        |              |    |            |                |           |          |      |  |       |       |         |    |    |      |            |            |       |   |
|                                       |  | cat. no. | -            | Product - Customer Drw | sheet 1 of 3 |    |            |                |           |          |      |  |       |       |         |    |    |      |            |            |       |   |



RECOMMENDED PCB LAYOUT  
 FOR DIFFERENTIAL APPLICATIONS  
 COMPONENT SIDE  
 (TWO ADJACENT FOOTPRINTS SHOWN)  
 NOTES 6, 8, & 11

|   |  |              |                            |                        |              |                        |              |  |       |       |                            |         |          |      |            |            |                |            |           |          |     |   |
|---|--|--------------|----------------------------|------------------------|--------------|------------------------|--------------|--|-------|-------|----------------------------|---------|----------|------|------------|------------|----------------|------------|-----------|----------|-----|---|
| spec ref  | ---  | dr           | Lin-Soo Ngwe               | 2012/1/15              | projection   | MM                     | size         | A2   | scale | 1:1   |                            |         |          |      |            |            |                |            |           |          |     |   |
| tolerance std   | ASME Y14.5M  | eng          | Terry Luo                  | 2020/09/07             |              |                        | ecn no       | ELX-DG-38252-1   |       |       |                            |         |          |      |            |            |                |            |           |          |     |   |
| TOLERANCES UNLESS OTHERWISE SPECIFIED   |  | chr          | -                          | rel level              |              |                        |              | Released   |       |       |                            |         |          |      |            |            |                |            |           |          |     |   |
| surface   | <table border="1"> <tr> <td>linear</td> <td>0.X</td> <td>±.3</td> </tr> <tr> <td></td> <td>0.XX</td> <td>±.10</td> </tr> <tr> <td></td> <td>0.XXX</td> <td>±.050</td> </tr> <tr> <td>angular</td> <td>0°</td> <td>±°</td> </tr> </table> | linear       | 0.X                        | ±.3                    |              | 0.XX                   | ±.10         |  | 0.XXX | ±.050 | angular                    | 0°      | ±°       | appr | Heaven Cen | 2020/09/17 | product family | AirMax VSE | rel level | Released | rev | E |
| linear  | 0.X  | ±.3          |                            |                        |              |                        |              |  |       |       |                            |         |          |      |            |            |                |            |           |          |     |   |
|   | 0.XX   | ±.10         |                            |                        |              |                        |              |  |       |       |                            |         |          |      |            |            |                |            |           |          |     |   |
|   | 0.XXX  | ±.050        |                            |                        |              |                        |              |  |       |       |                            |         |          |      |            |            |                |            |           |          |     |   |
| angular   | 0°   | ±°           |                            |                        |              |                        |              |  |       |       |                            |         |          |      |            |            |                |            |           |          |     |   |
| <table border="1"> <tr> <td>Amphenol FCI</td> <td>AIRMAX VS2 R.A. RECEPTACLE</td> <td>cat. no.</td> <td>-</td> <td>Product - Customer Drw</td> <td>sheet 2 of 3</td> </tr> </table> |  | Amphenol FCI | AIRMAX VS2 R.A. RECEPTACLE | cat. no.               | -            | Product - Customer Drw | sheet 2 of 3 | <table border="1"> <tr> <td>title</td> <td>AIRMAX VS2 R.A. RECEPTACLE</td> <td>part no</td> <td>10123422</td> </tr> </table> |       | title | AIRMAX VS2 R.A. RECEPTACLE | part no | 10123422 |      |            |            |                |            |           |          |     |   |
| Amphenol FCI  | AIRMAX VS2 R.A. RECEPTACLE   | cat. no.     | -                          | Product - Customer Drw | sheet 2 of 3 |                        |              |  |       |       |                            |         |          |      |            |            |                |            |           |          |     |   |
| title   | AIRMAX VS2 R.A. RECEPTACLE   | part no      | 10123422                   |                        |              |                        |              |  |       |       |                            |         |          |      |            |            |                |            |           |          |     |   |

PDS: Rev :E

STATUS:Released

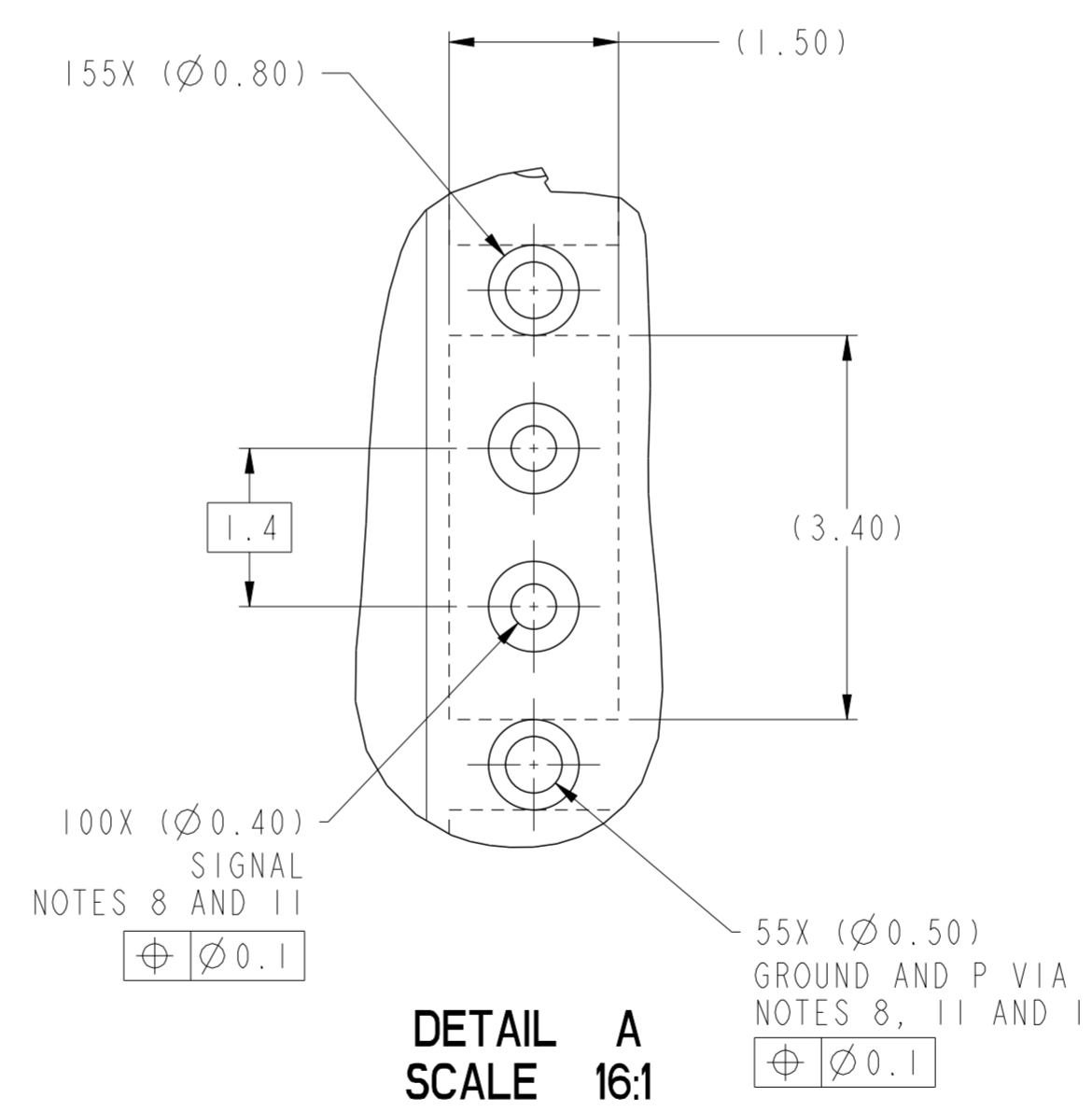
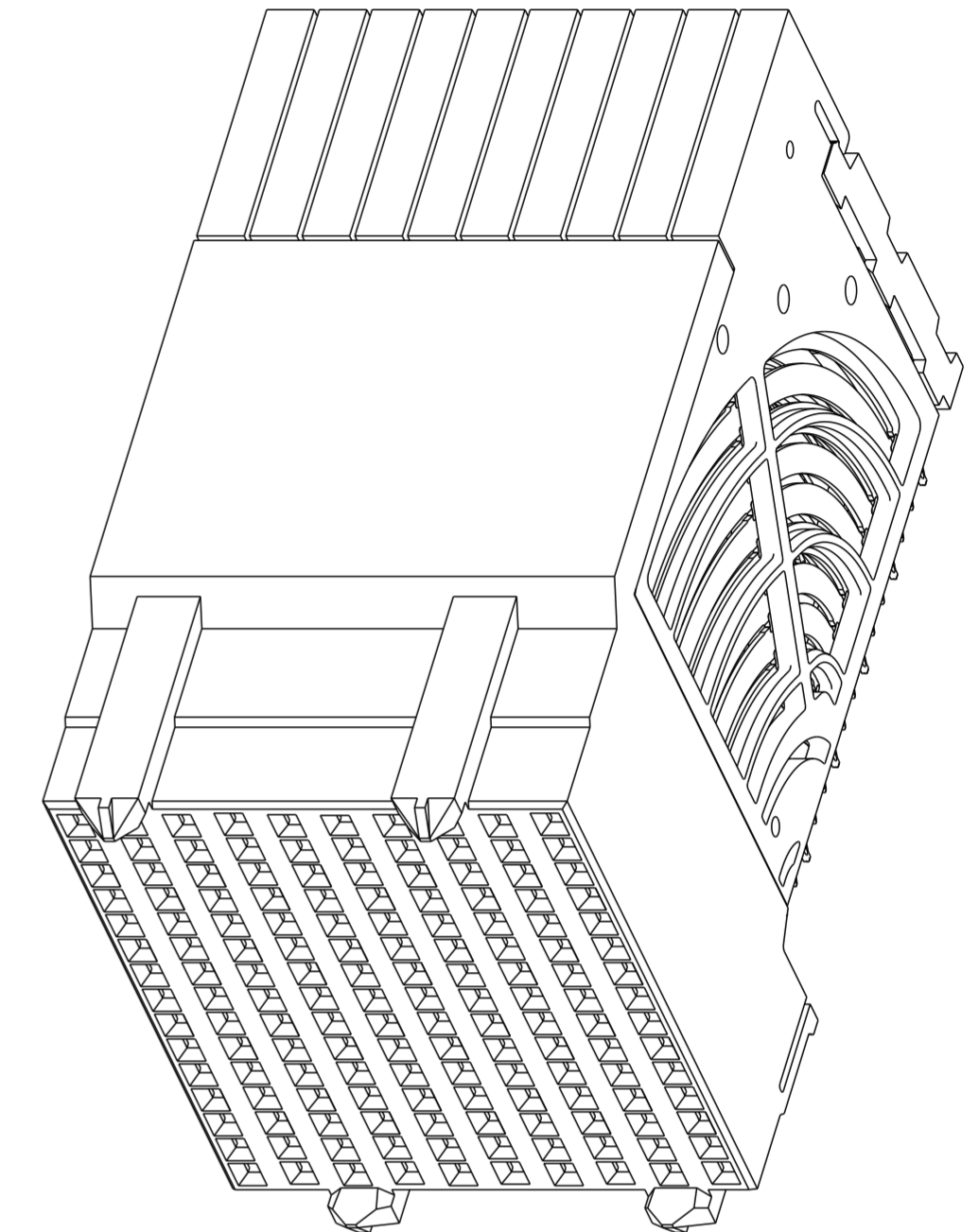
Printed: Sep 18, 2020

Amphenol FCI

© 2016 APCI

|                |                             |
|----------------|-----------------------------|
| PRODUCT NUMBER | PRESS-FIT TAIL PLATING TYPE |
| 10123422-101LF | TIN OVER NICKEL (LEAD FREE) |

- ① - CONNECTOR MATERIALS:  
HOUSING: HIGH TEMP THERMOPLASTIC, NATURAL, UL94-V0  
IMLA PLASTIC: HIGH TEMP THERMOPLASTIC, BLACK, UL94-V0  
CONTACT: COPPER ALLOY  
ORGANIZER: HIGH TEMP THERMOPLASTIC, NATURAL, UL94-V0
- 2 - CONTACT PLATING:  
SEPARABLE INTERFACE:  
PERFORMANCE-BASED PLATING, QUALIFIED TO MEET THE REQUIREMENTS OF FCI PRODUCT SPECIFICATION GS-12-0956 INCLUDING TELCORDIA GR-1217-CORE (NOVEMBER 1995) CENTRAL OFFICE TEST SEQUENCE  
  
PRESS-FIT TAILS: SEE TABLE
- 3 - PRODUCT SPECIFICATION: GS-12-0956
- 4 - APPLICATION SPECIFICATION: GS-20-0305.
- ⑤ - PRODUCT MARKING, (PROTOTYPE, PART NUMBER & LOT CODE), ON THIS SURFACE.
- ⑥ - THE MINIMUM CENTERLINE SPACING BETWEEN ADJACENT MODULES IS 20.0 MM.
- ⑦ - CONNECTOR OUTLINE MAY BE SCREEN PRINTED ONTO CUSTOMER PCB TO BE USED AS A GUIDE FOR MANUAL CONNECTOR PLACEMENT.
- ⑧ - REFER TO CUSTOMER DRAWING 10104444 FOR INFORMATION ON PCB HOLE DIAMETERS AND PLATING OPTIONS
- 9 - LEAD FREE PRODUCT MEETS THE EUROPEAN UNION DIRECTIVES & OTHER COUNTRY REGULATIONS AS DESCRIBED IN GS-22-008
- 10 - PACKAGING MEETS GS-14-920 LEAD FREE LABELING SPECIFICATION.
- ⑪ - GROUND CONTACTS (C,F,I,L AND O IN ODD COLUMNS AND A,D,G,J AND M, EVEN COLUMNS) REQUIRE (Ø0.500) FINISHED HOLES. SIGNAL LOCATIONS REQUIRE (Ø0.400) FINISHED HOLES.
- ⑫ - THESE OUTER VIAS (P) ARE OPTIONAL. WHILE NO CONNECTOR PINS ARE PRESSED INTO THESE HOLES, WE RECOMMEND (Ø 0.500) FINISHED HOLES AT THESE LOCATIONS TO PROVIDE GROUND SYMMETRY THROUGH THE PCB



10123422-101LF  
SCALE 4:1

|               |             |       |              |              |                |   |          |                |           |          |
|---------------|-------------|-------|--------------|--------------|----------------|---|----------|----------------|-----------|----------|
| spec ref      | ---         | dr    | Lin-Soo Ngwe | 2012/11/15   | projection     | MM  | size     | A2             | scale     | 4:1      |
| tolerance std | ASME Y14.5M | eng   | Terry Luo    | 2020/09/07   | chr            | -   | ecn no   | ELX-DG-38252-1 | rel level | Released |
| surface       | linear      | 0.X   | ±.3          | Amphenol FCI | product family | AIRMAX VS2 R.A. RECEPTACLE                            | cat. no. | 10123422       | rev       | E        |
|               |             | 0.XX  | ±.10         |              |                | ASS'Y, 5 PAIR, 150 POS, 10 IMLA, 20MM, Small PF, GXT+ |          |                |           |          |
|               |             | 0.XXX | ±.050        |              |                |   |          |                |           |          |
|               | angular     | 0°    | ±°           |              |                |   |          |                |           |          |

PDS: Rev :E

STATUS:Released

Printed: Sep 18, 2020

Amphenol FCI

© 2016 APCI