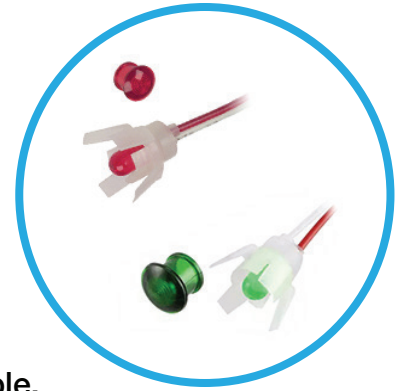
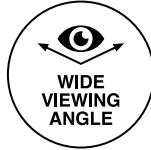




# 5400 Series Ø.315" (8.0mm) LED Panel Mount Indicator



A two-piece unit consisting of a lens and the housing-LED assembly. Simple, fast installation. Available in colors: Red, Amber, Green and Yellow.



## Applications

- Industrial
- Transportation
- Food Services
- People Movers
- Automation and Control
- Status indication
- Professional Electrical Appliance
- Electro Medical Devices
- Aircraft/Military Instrumentation

## Key Features

- For panel hole diameter: 0.315" (8.0mm)
- Low profile, damage-resistant lens
- Panel thickness: .062" to .125" (1.6 to 3.2mm)
- Available in four single illumination colors: red, green, yellow, amber
- Wide viewing angle
- Simple and fast installation
- Discharge protection
- 8mm panel mounting LED Indicator
- Unique design in a two piece unit
- For custom cable length, voltage, connectors, for colors, contact VCC
- RoHS and REACH Compliant

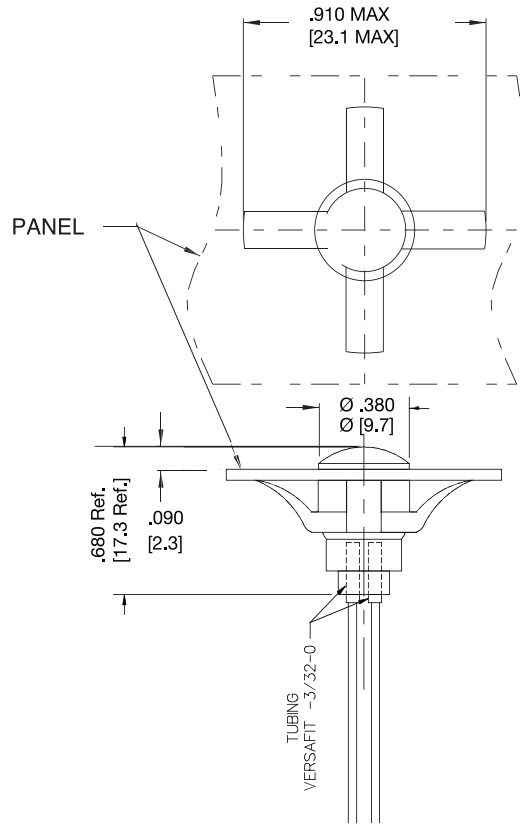
## Ordering Data

### Electrical-Optical Characteristics

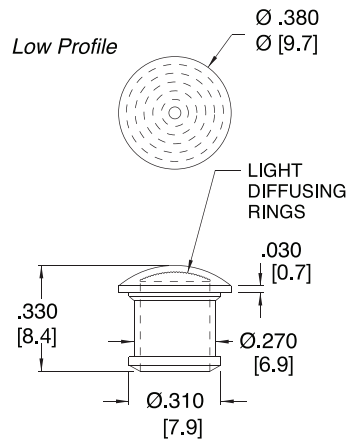
Part Number	Color	Type Intensity (mcd)	Rated Current (mA)	Continuous Forward Current Max. (mA)	Forward Voltage Typ. (V)	Forward Voltage Max. (V)	Current @ 1ms-Peak Forward 300pps (A)	Reverse Break-down Voltage Min. (V)	Included Lens Model No.	LED Package Color
5400A1	Red	120	20	35	2.0	3.0	1.0	5	4741	Water Clear
5400A3	Amber	120	20	35	2.0	3.0	1.0	5	4743	Amber
5400A5	Green	120	20	20	2.1	2.5	-	4	4745	Green
5400A7	Yellow	120	20	35	2.1	3.0	1.0	5	4747	Yellow

# Product Dimensions

## Body



## Lens



### Notes:

1. All dimensions are in inches [millimeters]
2. Tolerance is  $\pm 0.25''$  unless otherwise noted.
3. The specifications, characteristics and technical data described in the datasheet are subject to change without prior notice.

## Product Specifications

Materials	
Housing	Natural Nylon
Lens	Polycarbonate
Wire Leads	24 AWG PVC (105oC) 4.4/4.8" long, stripped .430/.570"
Heat Shrink Tubing	Black, Polyolefin VW-1 600V

Installation Specifications	
Mounting Hole	.312/.317" (7.9/8.1mm)
Panel Thickness	.062 to .125" (1.6/3.2mm)
Operating Temperature	-25°C/+85°C (-13°F/+185°F)
Anode	Red Lead

## Installation Instructions

- The panel mount LED indicator light consists of one lens and one body in lead wires terminations.
- The fast installation is provided by inserting the lens into mounting hole in the front display panel and snapping the housing assembly onto the lens from the rear.
- Allows pre-wiring into the circuit and testing before installation.

## Compliances and Approvals

