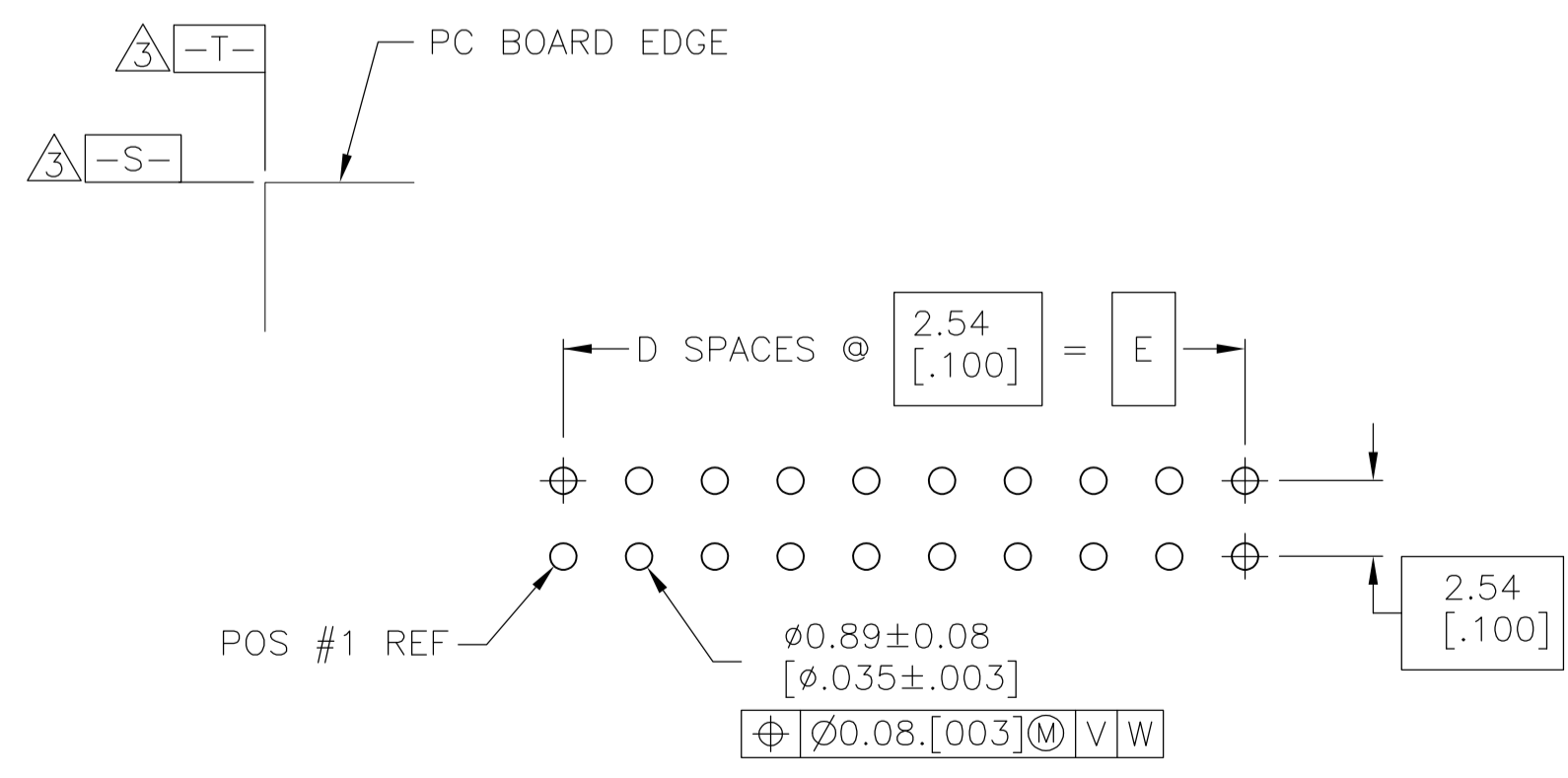
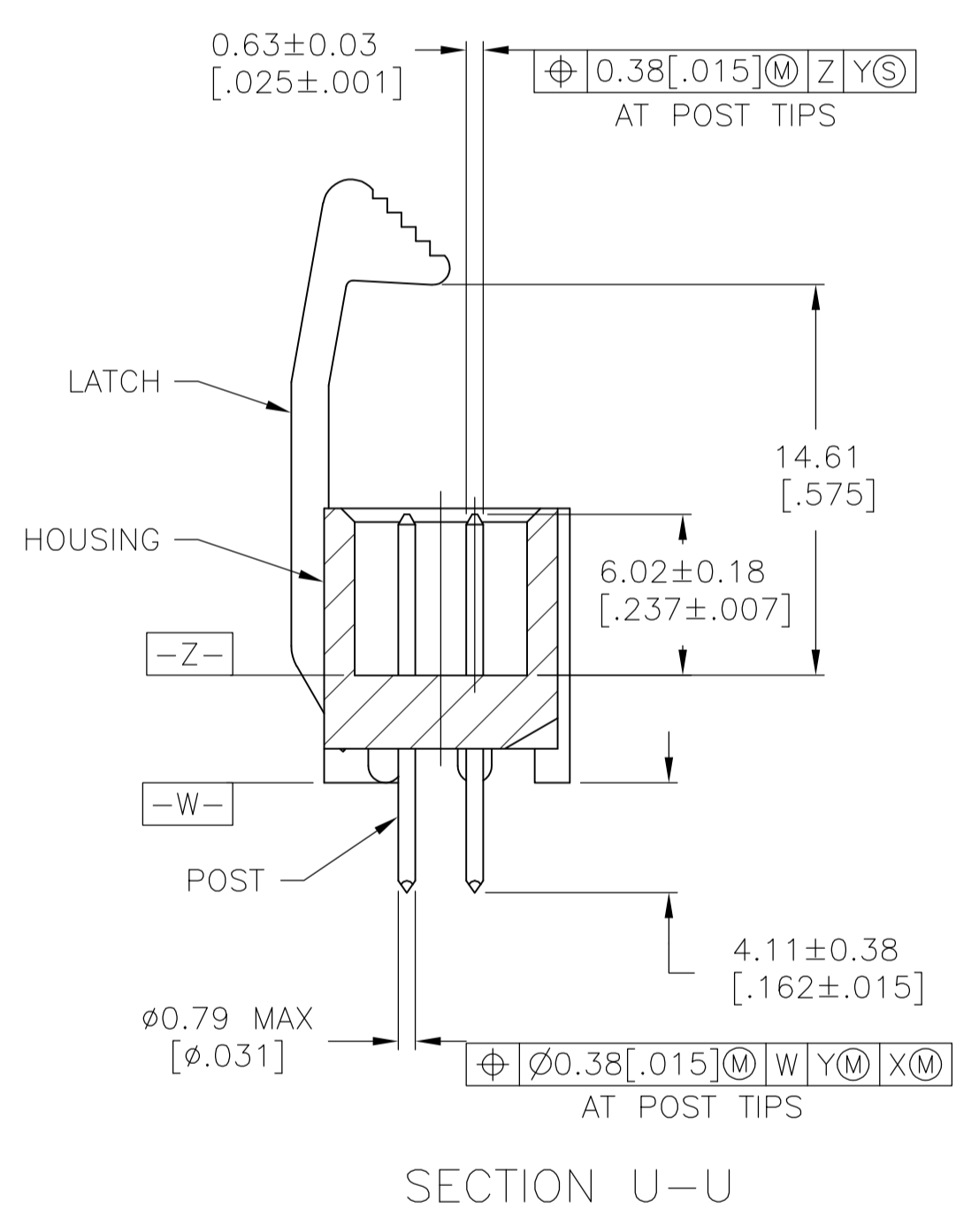
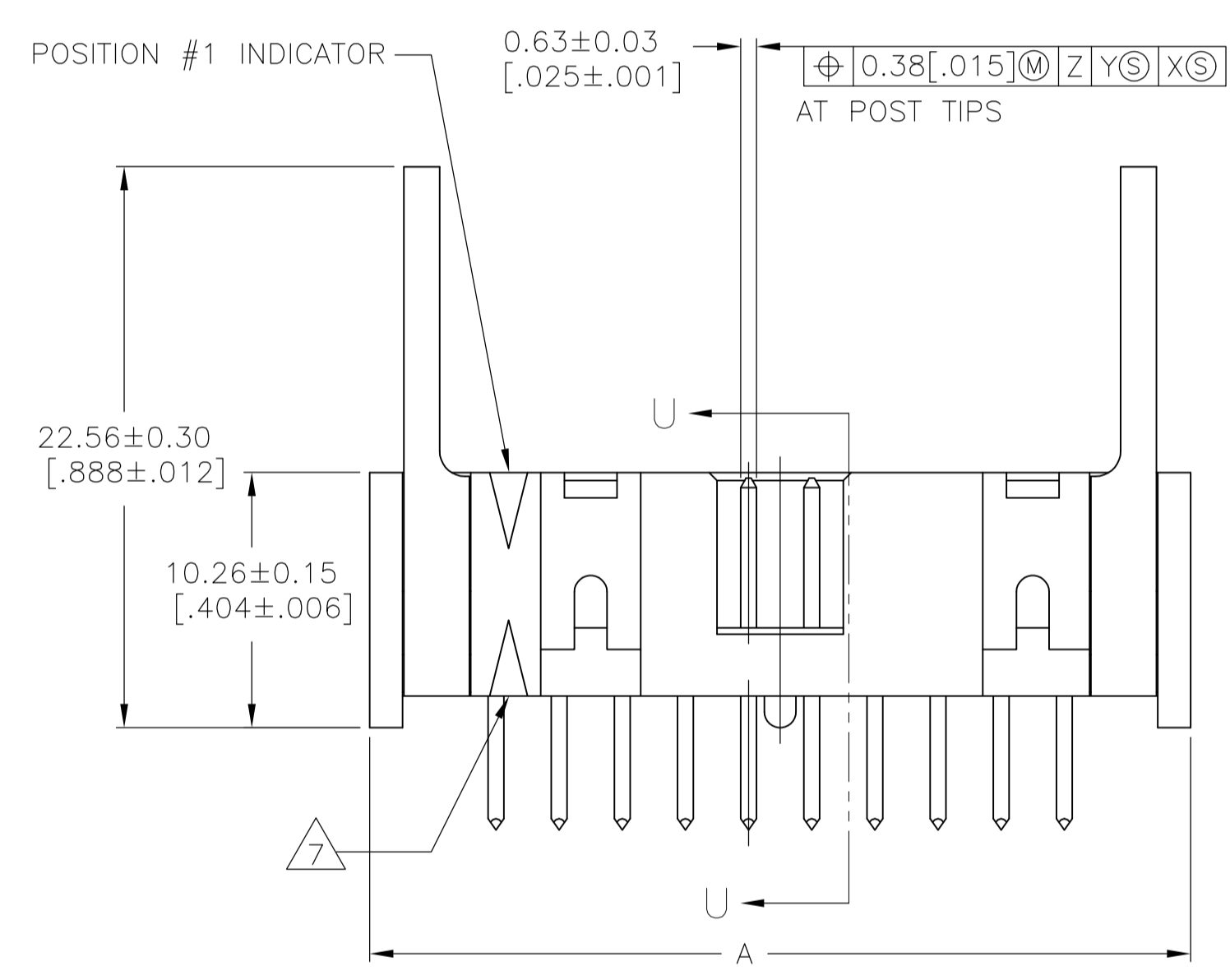


- 1 HOUSING: PBT, UL94V-0, COLOR: BLUE.  
POSTS: PHOSPHOR BRONZE.  
LATCHES: ZINC ALLOY.
- 2 POSTS: GOLD FLASH OVER PALLADIUM-NICKEL PLATE, 0.76 $\mu\text{m}$ [.000030] MIN TOTAL ON MATING AREA, 2.54 $\mu\text{m}$ [.000100] MIN TIN PLATE ON SOLDER-TAIL, ALL OVER 1.27 $\mu\text{m}$ [.000050] MIN NICKEL UNDERPLATE ON ENTIRE POST.  
OR  
0.76 $\mu\text{m}$ [.000030] MIN GOLD PLATE ON MATING AREA, 2.54 $\mu\text{m}$ [.000100] MIN TIN PLATE ON THE SOLDER-TAIL, 1.27 $\mu\text{m}$ [.000050] MIN NICKEL UNDERPLATE ON THE ENTIRE POST.  
LATCHES: BLACK NICKEL OVER COPPER.
- 3 DATUMS S & T TO BE ESTABLISHED BY CUSTOMER.
- 4 NO KEYING SLOT ON THIS END FOR 6, 10, 12 & 14 POSITION ASSEMBLIES.
- 5 NO KEYING SLOT ON THIS END FOR 6 & 10 POSITION ASSEMBLIES.
- 6 NO STANDOFF FOR 6, 10, 12, 14 & 16 POSITION ASSEMBLIES.
- 7 ALTERNATE LOCATION/ORIENTAION FOR POSITION #1 INDICATOR.



RECOMMENDED PC BOARD LAYOUT  
(VIEWED FROM CONNECTOR SIDE)

	73.66 [2.900]	29	75.69 [2.980]	81.18 [3.196]	83.82 [3.300]	60	3-1761711-6
	60.96 [2.400]	24	62.99 [2.480]	68.48 [2.696]	71.12 [2.800]	50	3-1761711-5
	48.26 [1.900]	19	50.29 [1.980]	55.78 [2.196]	58.42 [2.300]	40	3-1761711-3
	40.64 [1.600]	16	42.67 [1.680]	48.16 [1.896]	50.80 [2.000]	34	3-1761711-1
OBSOLETE	30.48 [1.200]	12	32.51 [1.280]	38.00 [1.496]	40.64 [1.600]	26	2-1761711-9
	27.94 [1.100]	11	29.97 [1.180]	35.46 [1.396]	38.10 [1.500]	24	2-1761711-8
	22.86 [.900]	9	24.89 [.980]	30.38 [1.196]	33.02 [1.300]	20	2-1761711-7
OBSOLETE	17.78 [.700]	7	19.81 [.780]	25.30 [.996]	27.94 [1.100]	16	2-1761711-6
OBSOLETE	15.24 [.600]	6	17.27 [.680]	22.76 [.896]	25.40 [1.000]	14	2-1761711-5
	12.70 [.500]	5	14.73 [.580]	20.22 [.796]	22.86 [.900]	12	2-1761711-4
	10.16 [.400]	4	12.19 [.480]	17.68 [.696]	20.32 [.800]	10	2-1761711-3
	5.08 [.200]	2	7.11 [.280]	12.60 [.496]	15.24 [.600]	6	2-1761711-1
	E	D	C	B	A	NO OF POS	PART NUMBER

THIS DRAWING IS A CONTROLLED DOCUMENT.

DIMENSIONS: mm [INCHES]	TOLERANCES UNLESS OTHERWISE SPECIFIED:	DIN B. CRISAMORE/DJI 30JUN05	STE TE Connectivity
0 PLC ± -	1 PLC ± -	2 PLC ± -	3 PLC ± 0.13 [.005]
4 PLC ± -	ANGLES ± -	APVD M. WALMSLEY 30JUN05	NAME HEADER ASSEMBLY, LONG EJECT LATCH, VERTICAL, LOW PROFILE, IDC, PRODUCT SPEC
MATERIAL	FINISH	APPLICATION SPEC	SIZE CASE CODE DRAWING NO
		WEIGHT	A1 00779 1761711
		CUSTOMER DRAWING	RESTRICTED TO
		SCALE 4:1	SHEET 1 OF 1 REV E1