

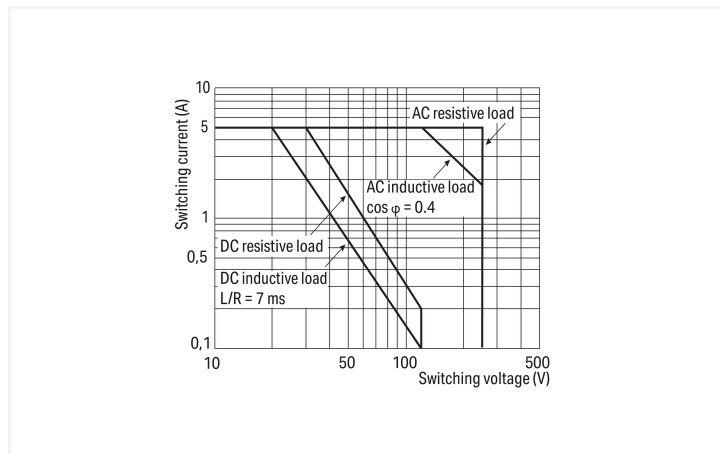
Data Sheet | Item Number: 286-368

Relay module; Nominal input voltage: 24 VDC; 1 break contact; Limiting continuous current: 5 A; Red status indicator; Module width: 10 mm; gray

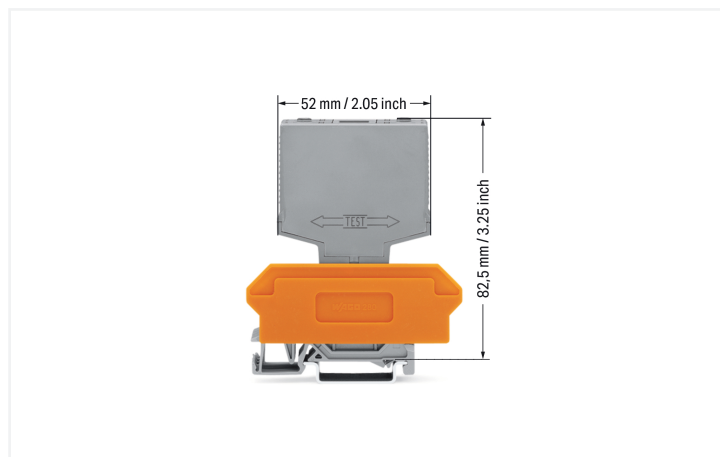
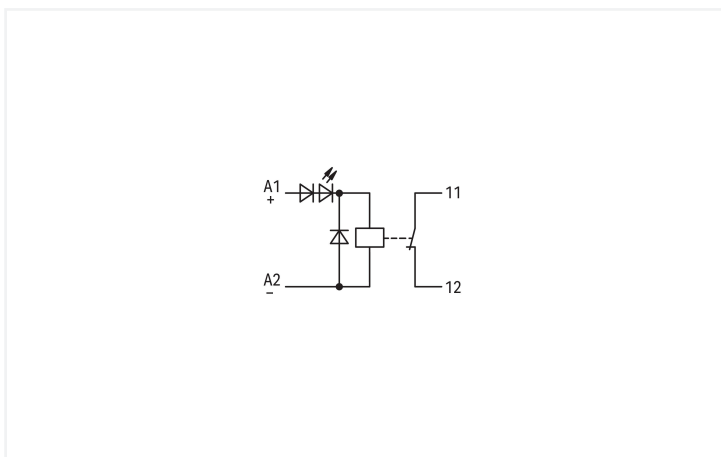
<https://www.wago.com/286-368>



Color: ■ gray



Load limit curve



Technical data

Control circuit

Nominal input voltage U_N	24 VDC
Input voltage range	$\pm 10\%$
Nominal input current at U_N	21 mA

Load circuit

Number of break/switch-off contacts	1
Contact material (relay)	AgNi
Limiting continuous current	5 A
Switching Voltage, Max.	250 VAC
Switching power (resistive) max.	AC 1250 VA
Pull-in time (typ.)	10 ms
Drop-out time (typ.)	4 ms
Bounce time (typ.)	3 ms
Mechanical life	5×10^6 switching operations

Signaling

Status indicator	Red LED
------------------	---------

Safety and protection

Rated Voltage	250 V
Rated impulse withstand voltage	4 kV
Pollution degree	2
Dielectric strength (control/load circuit) (AC, 1 min)	4 kVrms
Protection type	IP20

Physical data

Width	10 mm / 0.394 inches
Height	52 mm / 2.047 inches
Depth from upper-edge of DIN-rail	82.5 mm / 3.248 inches
Note (dimensions)	Depth including carrier terminal block

Mechanical data

Mounting type	Pluggable module for receptacle terminal blocks
---------------	---

Material data

Note (material data)	Information on material specifications can be found here
Color	gray
Fire load	0.275 MJ
Weight	19.1 g

Environmental requirements

Ambient temperature (operation at U_N)	-25 ... +40 °C
Ambient temperature (storage)	-25 ... +70 °C
Processing temperature	-25 ... +50 °C
Relative humidity	5 ... 85 % (no condensation permissible)
Operating altitude (max.)	2000 m

Standards and Specifications

Standards/specifications	EN 60664-1
--------------------------	------------

Commercial data

Product Group	6 (INTERFACE ELECTRONIC)
PU (SPU)	25 (1) pcs
Packaging type	Box
Country of origin	DE
GTIN	4045454384036
Customs tariff number	85364900990

Product Classification

UNSPSC	39122334
eCl@ss 10.0	27-37-16-01
eCl@ss 9.0	27-37-16-01
ETIM 9.0	EC001437
ETIM 10.0	EC001437
ECCN	NO US CLASSIFICATION

Environmental Product Compliance

CAS-No.	7439-92-1 79-94-7
REACH Candidate List Substance	2,2',6,6'-tetrabromo-4,4'-isopropylidenediphenol Lead
RoHS Compliance Status	Compliant,With Exemption
RoHS Exemption	7(a)
SCIP notification number (Austria)	36497ae2-55f1-4340-a81f-1e3485ef3972
SCIP notification number (Belgium)	b642b671-8ef5-4906-a7c9-2f5e80fe3660
SCIP notification number (Bulgaria)	c91ef76f-81f8-4e0e-9eec-3ad9927ebe53
SCIP notification number (Czech Republic)	60779511-3574-4177-a2cf-6420095228d6
SCIP notification number (Denmark)	35baaaa6-709f-4bed-b488-23c9643ba34c
SCIP notification number (Finland)	6d55146d-e74d-43c3-b45a-f2ff48aee3dd
SCIP notification number (France)	32d9add0-26d8-401c-a183-e3085d344995
SCIP notification number (Germany)	a778b3e8-9df1-4ab0-91fb-a1ba9f4ae9a0
SCIP notification number (Hungary)	f5ec93a7-19f8-40b6-85d7-6461ddd04598
SCIP notification number (Italy)	66b4be46-be73-4cfd-a2a9-98c21d72800c
SCIP notification number (Netherlands)	4af6202b-3d13-4512-9868-8ebe884382b1
SCIP notification number (Poland)	578745b3-9a9c-4d14-8e14-31ed5af9dd23
SCIP notification number (Romania)	dbbe6f5e-f2e5-4ca1-a316-1c294a64b9fc
SCIP notification number (Sweden)	924ac231-e702-4595-bed8-287a6eb8202a

Approvals / Certificates

General approvals	Declarations of conformity and manufacturer's declarations
--------------------------	---



Approval	Standard	Certificate Name
EAC GZO Almaty Standart	TP TC 004/2011	EAC CoC 03078

Approval	Standard	Certificate Name
EU-Declaration of Confor- mity WAGO GmbH & Co. KG	-	-

Downloads

Environmental Product Compliance

Compliance Search
Environmental Product Compliance 286-368

Documentation

Bid Text			
286-368	19.02.2019	xml 3.59 KB	↓
286-368	22.03.2018	doc 25.50 KB	↓

Instruction Leaflet			
Operation and Assembly Instructions Interface	V 1.0.0 02.04.2025	pdf 1246.19 KB	↓

CAD/CAE-Data

CAD data	
2D/3D Models 286-368	↓

CAE data	
WSCAD Universe 286-368	↓
ZUKEN Portal 286-368	↓

1 Compatible Products

1.1 Optional Accessories

1.1.1 Marking

1.1.1.1 Marker



Item No.: 209-701

WSB marking card; as card; not stretchable; plain; snap-on type; white

1.1.2 Terminal blocks

1.1.2.1 Terminal block for pluggable modules



Item No.: 280-618

Terminal block for pluggable modules; 4-pole; with 2-conductor terminal blocks; with orange separator; for DIN-rail 35 x 15 and 35 x 7.5; 2.5 mm²; CAGE CLAMP®; 2,50 mm²; gray



Item No.: 280-762

Terminal block for pluggable modules; 4-pole; with 4-conductor terminal blocks; with marker carrier; with orange separator; for DIN-rail 35 x 15 and 35 x 7.5; 2.5 mm²; CAGE CLAMP®; 2,50 mm²; gray

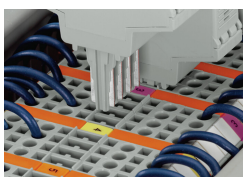


Item No.: 280-608

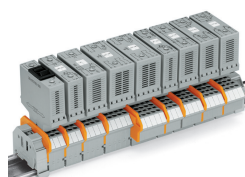
Terminal block for pluggable modules; 4-pole; with 4-conductor terminal blocks; with orange separator; for DIN-rail 35 x 15 and 35 x 7.5; 2.5 mm²; CAGE CLAMP®; 2,50 mm²; gray

Installation Notes

Installation



Coding ensures correct polarity.



Pluggable electronic modules on 2- or 4-conductor carrier terminal blocks

Marking



Marking via WMB Multi Marking System.

Testing



Function testing via touch-proof test slots