

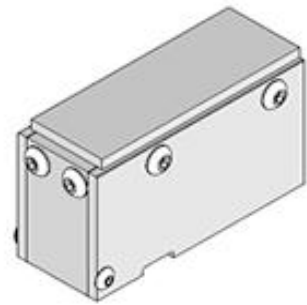
Part Number : [2002141183](#)

Product Description : Insertion Tool for QSFP-DD Cage Assembly, 2-by-1 Multi-Port Connector

Series Number : 207123

Status : Obsolete

Product Category : Application Tooling Accessories



Documents and Resources

Tooling Specifications

[2002141183-000.pdf](#)

Product Environment Compliance

Compliance

China RoHS	Not Reviewed
EU ELV	Not Reviewed
Low-Halogen Status	Not Reviewed
REACH SVHC	Not Reviewed
EU RoHS	Not Reviewed

Compliance Statements

- EU RoHS
- REACH SVHC
- Low-Halogen

Industry Documents

- IPC 1752A Class C
- IPC 1752A Class D
- Molex Product Compliance Declaration
- IEC-62474
- chemSHERPA (xml)

Substances of Interest

- PFAS

EU RoHS Certificate of Compliance

Additional Product Compliance Information

Part Details

General

Status	Obsolete
Category	Application Tooling Accessories
Series	207123
Description	Insertion Tool for QSFP-DD Cage Assembly, 2-by-1 Multi-Port Connector
Comments	See Tooling Specification (PDF) Above
Function	Insertion
Geographic Area	Global
Level of Automation	Manual, Semi-Automatic
More Detailed Tech Information	toolingsupport@molex.com
Product Name	QSFP-DD
Tool Type	Press-Fit Insertion Tool
UPC	191128248877
Warranty Disclaimer	<p>CAUTION: Molex tooling crimp specifications are valid only when used with Molex terminals and tooling manufactured by Molex and sold by Molex or authorized distributors ("Molex Tooling"). When using tooling other than Molex Tooling with Molex specific connector systems listed in our ATS documents, the Molex tooling qualification does not apply and the responsibility for full qualification of the connector system is that of the customer. Molex accepts no liability for connector performance or tooling support where tooling other than Molex Tooling is used or where Molex Tooling is modified.</p>

This document was generated on May 19, 2026