

SERIES 805 TRIPLE-START ACME THREAD Mighty Mouse Connectors and Cables



Environmental or Watertight Receptacle with PC Tail or Solder Cup Contacts



Environmental, PCB Receptacle 805-005 power and signal connectors feature low profile shells for minimum protrusion inside enclosures and integral board standoffs. Standard signal and power contacts are non-removable (consult factory for shielded contact configurations).

Water-Tight PCB Receptacle 805-017 connectors are identical to 805-005, but are specially sealed ("MOD-518") and 100% tested to maintain a helium leak rate of less than 1×10^{-4} cc/second at one atmosphere pressure differential. Connectors meet MIL-STD-810 Method 512G immersion requirements in unmated/open face condition.

How To Order						
Sample Part Number	805-017	-07	M	10-13	P	B
Series	805-005 = Receptacle with Standard Epoxy Potting 805-017 = Receptacle with Special "MOD-518" Sealing For Open Face (unmated) Water Immersion Requirements. 100% Leak Tested.					
Shell Style (See Table I)	-02 = Square Flange, Front or Rear Panel Mount -12 = Square Flange, Rear Panel Mount with Non-Locking Clinch Nuts* -22 = Square Flange, Rear Panel Mount with Locking Clinch Nuts* -07 = Jam-Nut, Rear Panel Mount					
Shell Material and Finish	C = Aluminum / Black Anodize (Non-Conductive); RoHS Compliant M = Aluminum / Electroless Nickel; RoHS Compliant MT = Aluminum / Nickel-PTFE RoHS Compliant NF = Aluminum / Cadmium with Olive Drab Chromate ZNU = Aluminum / Zinc-Nickel with Black Chromate Z1 = Stainless Steel / Passivated; RoHS Compliant ZB = Stainless Steel / Olive Drab Chromate over Cadmium ZC = Stainless Steel / Zinc Cobalt Alloy/Black Chromate					
Shell Size - Insert Arrangement	See Contact Arrangements Page J-6. **					
Contact Type	P = Pin, PC Tail S = Socket, PC Tail E = Pin, Solder Cup F = Socket, Solder Cup					
Polarization (See Table II)	A = Normal B = Pos. B C = Pos. C D = Pos. D E = Pos. E F = Pos. F					

*Consult Factory for SST Material **Power and signal contacts only. For shielded contact applications, consult factory.

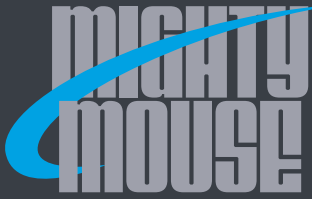
Table I: Shell Style	
-02, -12, -22 Square Flange	-07 Jam-Nut

Table II: Keyway Positions		
Pos.	A	B
A (Normal)	150°	210°
B	75°	210°
C	95°	230°
D	140°	275°
E	75°	275°
F	95°	210°

NOTES

1. Contacts are non removable and connector is back potted
2. For additional insert arrangements consult factory
3. This receptacle mates with all quick coupling high density plug connectors with same polarization and opposite contact gender
4. For all insert arrangements with size #8 contacts add .327 (8.31) to overall length
5. See J-11 for panel cut-out dimensions

SERIES 805 TRIPLE-START ACME THREAD

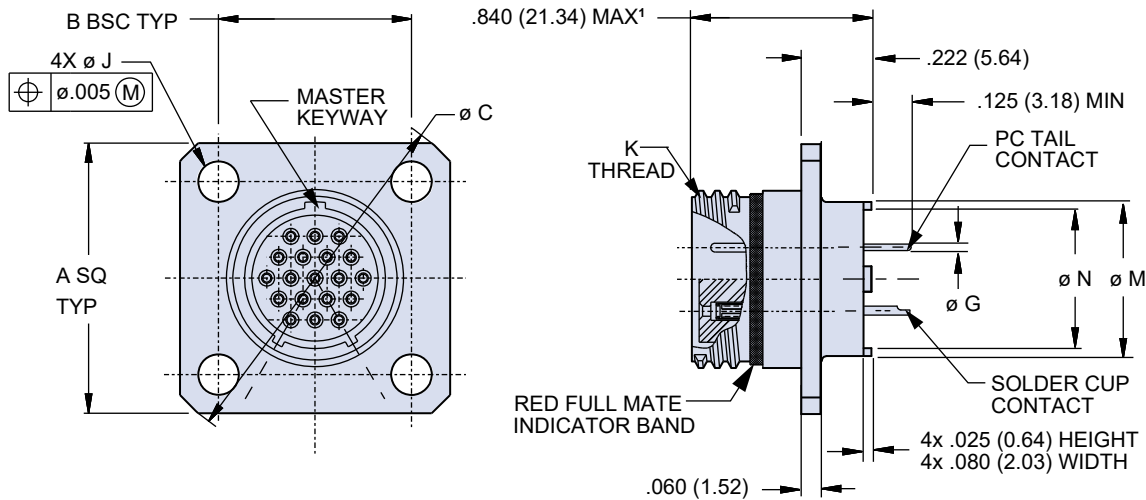


SERIES 805 TRIPLE-START ACME THREAD Mighty Mouse Connectors and Cables



Environmental or Watertight Receptacle with PC Tail or Solder Cup Contacts

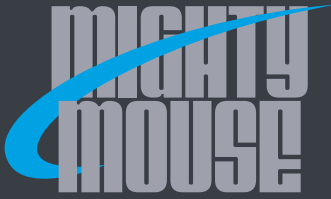
SQUARE FLANGE, FRONT OR REAR PANEL MOUNT RECEPTACLE - SHELL STYLE 02



Dimensions								
Shell Size	A SQ Typ	B Bsc Typ	Ø C	Ø J ± .003 (0.08)	K Thread	Ø M	Ø N	Ø G Tail Dia.
8	.850 (21.59)	.660 (16.76)	1.150 (29.21)	.094 (2.39)	.5000-.1P-.3L-TS	.330 (8.38)	.236 (5.99)	
9	.913 (23.19)	.723 (18.36)	1.230 (31.24)	.094 (2.39)	.5625-.1P-.3L-TS	.432 (10.97)	.322 (8.18)	
10	.975 (24.76)	.785 (19.94)	1.330 (33.78)	.094 (2.39)	.6250-.1P-.3L-TS	.493 (12.52)	.386 (9.80)	#23 .018/.022 (0.46/0.56)
11	1.039 (26.39)	.848 (21.54)	1.410 (35.81)	.094 (2.39)	.6875-.1P-.3L-TS	.551 (14.00)	.442 (11.23)	
12	1.099 (27.91)	.909 (23.09)	1.500 (38.10)	.094 (2.39)	.7500-.1P-.3L-TS	.620 (15.75)	.513 (13.03)	#20 .024/.028 (0.61/0.71)
13	1.163 (29.54)	.973 (24.71)	1.590 (40.39)	.094 (2.39)	.8125-.1P-.3L-TS	.661 (16.79)	.554 (14.07)	
15	1.288 (32.72)	1.058 (26.87)	1.750 (44.45)	.128 (3.25)	.9375-.1P-.3L-TS	.703 (17.86)	.594 (15.09)	#16 .060/.064 (1.52/1.63)
18	1.475 (37.47)	1.255 (31.88)	2.000 (50.80)	.128 (3.25)	1.1250-.1P-.3L-TS	.863 (21.92)	.755 (19.18)	
19	1.537 (39.04)	1.327 (33.71)	2.094 (53.19)	.128 (3.25)	1.1875-.1P-.3L-TS	.912 (23.16)	.805 (20.45)	#12 .092/.096 (2.34/2.44)
21	1.663 (42.24)	1.452 (36.88)	2.270 (57.66)	.128 (3.25)	1.3125-.1P-.3L-TS	1.017 (25.83)	.910 (23.11)	
23	1.787 (45.39)	1.570 (39.88)	2.440 (61.98)	.128 (3.25)	1.4375-.1P-.3L-TS	1.162 (29.51)	1.055 (26.80)	

Materials and Finishes

- Shell aluminum or stainless steel / see how to order table
- Insulators: high-grade rigid dielectric / N.A
- Interfacial seal, O-ring: fluorosilicone
- Potting compound: epoxy
- Contact: copper alloy, gold plate per ASTM B 488, Type II, Code C, Class 1.25 over a suitable underplate

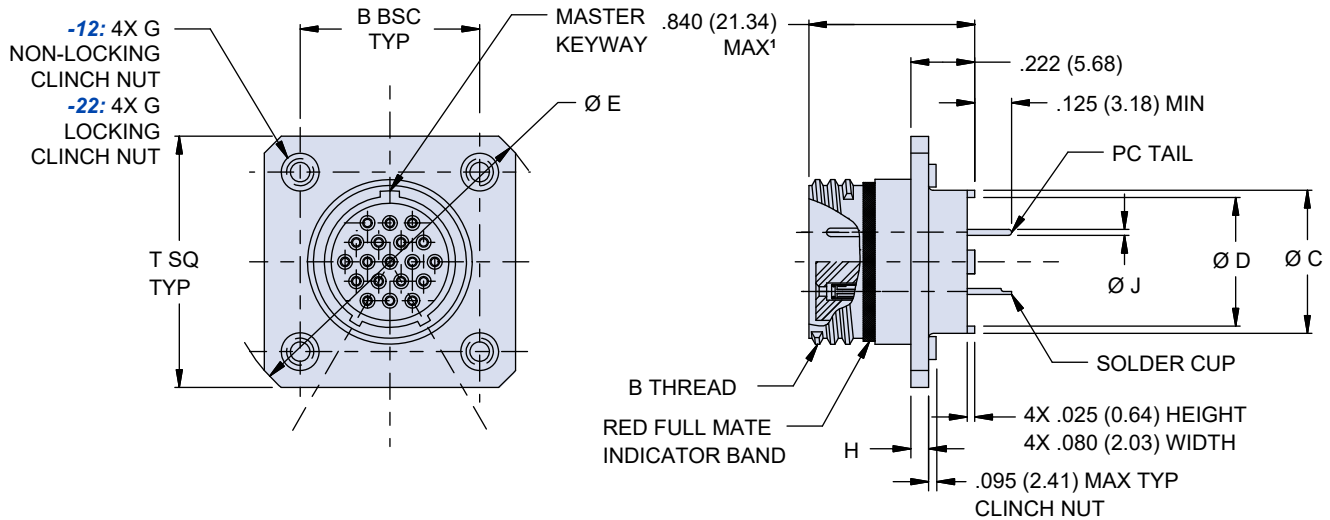


SERIES 805 TRIPLE-START ACME THREAD Mighty Mouse Connectors and Cables



Environmental or Watertight Receptacle with PC Tail or Solder Cup Contacts

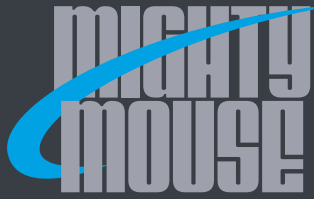
SQUARE FLANGE, FRONT OR REAR PANEL MOUNT RECEPTACLE - SHELL STYLE 12 AND 22



Dimensions									
Shell Size	B BSC Typ	B Thread	Ø C	Ø D	Ø E	T SQ Typ	G	H	Ø J Tail Dia.
8	.660 (16.76)	.5000-1P-3L-TS	0.330 (8.38)	0.236 (5.99)	1.194 (30.33)	0.920 (23.37)	2-56	0.030 (.76)	#23 .018/.022 (0.46/0.56)
9	.723 (18.36)	.5625-1P-3L-TS	0.432 (10.97)	0.322 (8.18)	1.283 (32.59)	0.983 (24.97)			
10	.785 (19.94)	.6250-1P-3L-TS	0.493 (12.52)	0.386 (9.80)	1.371 (34.82)	1.045 (26.54)			
11	.848 (21.54)	.6875-1P-3L-TS	0.551 (14.00)	0.442 (11.23)	1.460 (37.08)	1.104 (28.04)			
12	.909 (23.09)	.7500-1P-3L-TS	0.620 (15.75)	0.513 (13.03)	1.546 (39.27)	1.169 (29.69)			
13	.973 (24.71)	.8125-1P-3L-TS	0.661 (16.79)	0.554 (14.07)	1.637 (41.58)	1.233 (31.32)			
15	1.058 (26.87)	.9375-1P-3L-TS	0.705 (17.91)	0.594 (15.09)	1.817 (46.15)	1.378 (35.00)	4-40	0.060 (1.52)	#16 .060/.064 (1.52/1.63)
18	1.255 (31.88)	1.1250-1P-3L-TS	0.863 (21.92)	0.755 (19.18)	2.096 (53.24)	1.575 (40.00)			
19	1.327 (33.71)	1.1875-1P-3L-TS	0.912 (23.16)	0.805 (20.45)	2.197 (55.80)	1.647 (41.83)			
21	1.452 (36.88)	1.3125-1P-3L-TS	1.017 (25.83)	0.910 (23.11)	2.380 (60.45)	1.772 (45.01)			
23	1.570 (39.88)	1.4375-1P-3L-TS	1.162 (29.51)	1.055 (26.80)	2.541 (64.54)	1.890 (48.01)			

Materials and Finishes

- Shell: aluminum or stainless steel / see how to order table
- Insulators: high-grade rigid dielectric / N.A
- Interfacial seal, O-ring: fluorosilicone rubber, blue
- Contact: copper alloy, gold plate per ASTM B 488, Type II, Code C, Class 1.25 over a suitable underplate
- Potting compound: epoxy

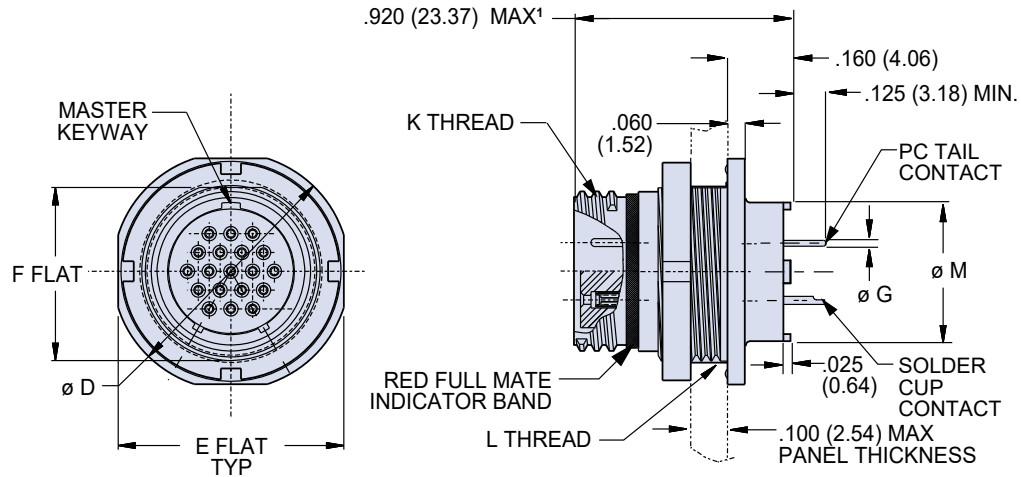


SERIES 805 TRIPLE-START ACME THREAD Mighty Mouse Connectors and Cables



Environmental or Watertight Receptacle with PC Tail or Solder Cup Contacts

JAM-NUT, REAR PANEL MOUNT RECEPTACLE - SHELL STYLE 07



Dimensions							
Shell Size	Ø D	E Flat	F Flat	K Thread	L Thread	Ø M	Ø G Tail Dia.
8	.760 (19.30)	.730 (18.54)	.535 (13.59)	.5000-.1P-.3L-TS	.5625-28 UNEF-2A	.330 (8.38)	
9	.880 (22.35)	.850 (21.59)	.661 (16.79)	.5625-.1P-.3L-TS	.6875-28 UN-2A	.432 (10.97)	
10	.880 (22.35)	.850 (21.59)	.661 (16.79)	.6250-.1P-.3L-TS	.6875-28 UN-2A	.493 (12.52)	#23 .018/.022 (0.46/0.56)
11	.955 (24.26)	.925 (23.50)	.721 (18.31)	.6875-.1P-.3L-TS	.7500-28 UN-2A	.551 (14.00)	
12	1.060 (26.92)	1.035 (26.29)	.784 (19.91)	.7500-.1P-.3L-TS	.8125-28 UN-2A	.620 (15.75)	#20 .024/.028 (0.61/0.71)
13	1.120 (28.45)	1.090 (27.69)	.841 (21.36)	.8125-.1P-.3L-TS	.8750-28 UN-2A	.661 (16.79)	
15	1.203 (30.56)	1.173 (29.79)	.970 (24.64)	.9375-.1P-.3L-TS	1.0000-28 UN-2A	.705 (17.91)	#16 .060/.064 (1.52/1.63)
18	1.389 (35.28)	1.359 (34.52)	1.147 (29.13)	1.1250-.1P-.3L-TS	1.1875-28 UN-2A	.863 (21.92)	
19	1.450 (36.83)	1.420 (36.07)	1.221 (31.01)	1.1875-.1P-.3L-TS	1.2500-28 UN-2A	.912 (23.16)	#12 .092/.096 (2.34/2.44)
21	1.580 (40.13)	1.550 (39.37)	1.348 (34.24)	1.3125-.1P-.3L-TS	1.3750-28 UN-2A	1.017 (25.83)	
23	1.705 (43.31)	1.675 (42.55)	1.470 (37.34)	1.4375-.1P-.3L-TS	1.500-28 UN-2A	1.162 (29.51)	

Materials and Finishes

- Shell, jam-nut: aluminum or stainless steel / see how to order table
- Insulators: high-grade rigid dielectric / N.A
- Interfacial seal, O-ring: fluorosilicone rubber, blue
- Contact: copper alloy, gold plate per ASTM B 488, Type II, Code C, Class 1.25 over a suitable underplate
- Potting compound: epoxy