

HRM Series

MIL/IEC Standard SMA Connector



SMA



MIL Standard



Wide Variation



Apr. 1. 2026 Copyright 2026 HIROSE ELECTRIC CO., LTD. All Rights Reserved.



Product Page
<https://www.hirose.com/en/product/series/HRM>

Sep. 2025

Overview

This is MIL Standard SMA(SUB-MINIATURE TYPE A) Connector series. In 1967, it was developed by our company for the first time as a domestic product, and its reliability has been recognized ever since.

Applicable Standards

MIL-C-39012

IEC 60169-15

Features

1. High Performance

With a design intended to compensate for discontinuous transmission line capacity, it has high frequency performance.

2. Small Size, Light Weight and Robust

The receptacle flanges are square in shape, measuring 12.7mm on each side. Their area being about one-half that of the BNC series and about one-fourth that of the S series, they are most suitable for high-density mounting. Moreover, their weights are greatly reduced (a standard receptacle weights only about 3 grams). Even though they are compact and lightweight, their durability is no lower than that of other types, because they use stainless-steel shells.

3. High Reliability

HRM Series has been used in a wide range of fields, including consumer electronics, defense, communications and aerospace industrial equipment, with a history of excellent reliability.

4. Variations

We have wide varieties such as the excellence impedance matching type HRM(G), the reverse-type SMA(R) with the male and female of the central contact inverted, and the item for small-diameter cables that can connect both ends to U.FL, MMCX Series.

We have various receptacle, terminators depending on application.

5. RoHS2 Compliant

Applications

Cable or radio communication equipment, broadcasting equipment, radar equipment, for in-flight wiring in electronic measuring device, for connection between units and contact for input and output of equipment configuration.

Product Specifications (Connectors)

| | | | |
|----------------------------------|-------------|-----------------------------|---------------|
| Nominal Characteristic Impedance | 50 Ω | Operating Temperature | -55 to +125°C |
| Rated Voltage | 330V AC | Operating Relative Humidity | 85% Max. |
| Frequency Range | 0 to 18GHz | | |

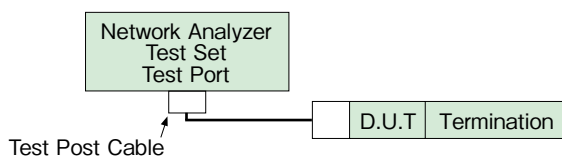
(Note) Ratings and standards may vary by products.

| Items | Specifications | Conditions |
|---------------------------------|---|---|
| Contact Resistance | 4m Ω Max. | Measured at 100mA Max. |
| Insulation Resistance | 5000M Ω Min. | Measured at DC 500V |
| Withstanding Voltage | No insulation breakdown | 1000V AC for 60 sec. |
| V.S.W.R.* | See below | See below |
| Female Contact Extraction Force | 1.5N Min., 0.3N Min. | Measured with ϕ 0.910 pin gauge Measured with ϕ 0.9017 pin gauge |
| Center Contact Fixed Torque | 16.7mN·m Min. | Measured with Applicable Connector |
| Coupling Tightening Torque | 0.6 to 1.0Nm | Measured with Applicable Connector |
| Coupling Fixed Strength | 490N Min. | Measured with Applicable Connector |
| Mating Durability | Contact Resistance: 6m Ω Max. | 1000 times |
| Vibration Resistance | No electrical discontinuity of 1 μ s or more No damage, cracks, or parts dislocation | Frequency: 10 to 2000Hz, Half amplitude: 0.75mm Acceleration: 196m/s ² 4 hours in each of the 3 axis |
| Shock Resistance | No electrical discontinuity of 1 μ s or more No damage, cracks, or parts dislocation | Acceleration: 1960m/s ² , Duration: 6ms, Wave form: Half-sine wave, 3 times in each of the 3 axis |
| Humidity | Insulation Resistance: 100M Ω Min. (in a high humidity environment) Insulation resistance: 1000M Ω Min. (in a dry environment) | Left for 10 cycles (240 hours) in an environment with the temperature ranging from +25 to 65°C and the humidity ranging from 90 to 98%. |
| Heat Shock Resistance | No damage, cracks, or parts dislocation | (-65°C : 30 min. → 5 to 35°C : within 5 min. → 125 ± 2°C : 30 min. → 5 to 35°C : within 5 min.) 5 cycles |
| Corrosion Resistance | Satisfying the V.S.W.R Standard | Continuous 48 hour cycle in 5% salt water solution |

*V.S.W.R. (Voltage Standing Wave Ratio) Measurement System

V.S.W.R. of HRM series is as shown below.

The above V.S.W.R. specification values were measured using the measurement system shown below.



Note 1: The cable connector is measured with the connector attached to the applicable cable.

Note 2: Receptacle and plug receptacle are measured with the measuring adapter installed.

Materials / Finish

Connector

| Component | Material | Finish | | |
|----------------|-----------------|-------------------|------------------|-------------------|
| | | Type | Plating | |
| Shell | Stainless steel | Gold Plating Type | | |
| | | S Type | Straight Type | Passivated Finish |
| | | | Right Angle Type | Nickel Plating |
| Coupling | Stainless steel | Gold Plating Type | | |
| | | S Type | | Passivated Finish |
| Female Contact | Beryllium steel | – | Gold Plating | |
| Male Contact | Brass | – | Gold Plating | |
| Crimp Sleeve | Copper | – | Nickel Plating | |
| Insulator | PTFE | – | – | |
| Rubber Gasket | Silicone rubber | – | – | |
| Boot | Polyolefin | – | – | |

Note: There may be products which differ from the above tables.

Product Number Structure

Refer to the chart below when determining the product specifications from the product number.

HRM - [] - []

① ② ③

| | | | |
|------------------|--|-----------------|--|
| ① Series Name | HRM, HRM(G) [Excellence Impedance Matching Type] SMA(R) [Reverse Type] | ③ Serial Number | |
| ② Connector Type | 100 to 199: Semi-Rigid Cable Connector 200 to 299: Flexible Cable or Semi-Flexible Cable Connector 300 to 399: Receptacle 400 to 499: Plug Receptacle 500 to 599: Adapter, Conversion Adapter (Some product name structure differ.) Short Connector, Cap | | |

Classification by Surface Treatment

Products having the same structure, shape and dimensions may have different surface treatments of their armor (shell). There are gold-plated products (gold-plated type) and passivated products (S type).

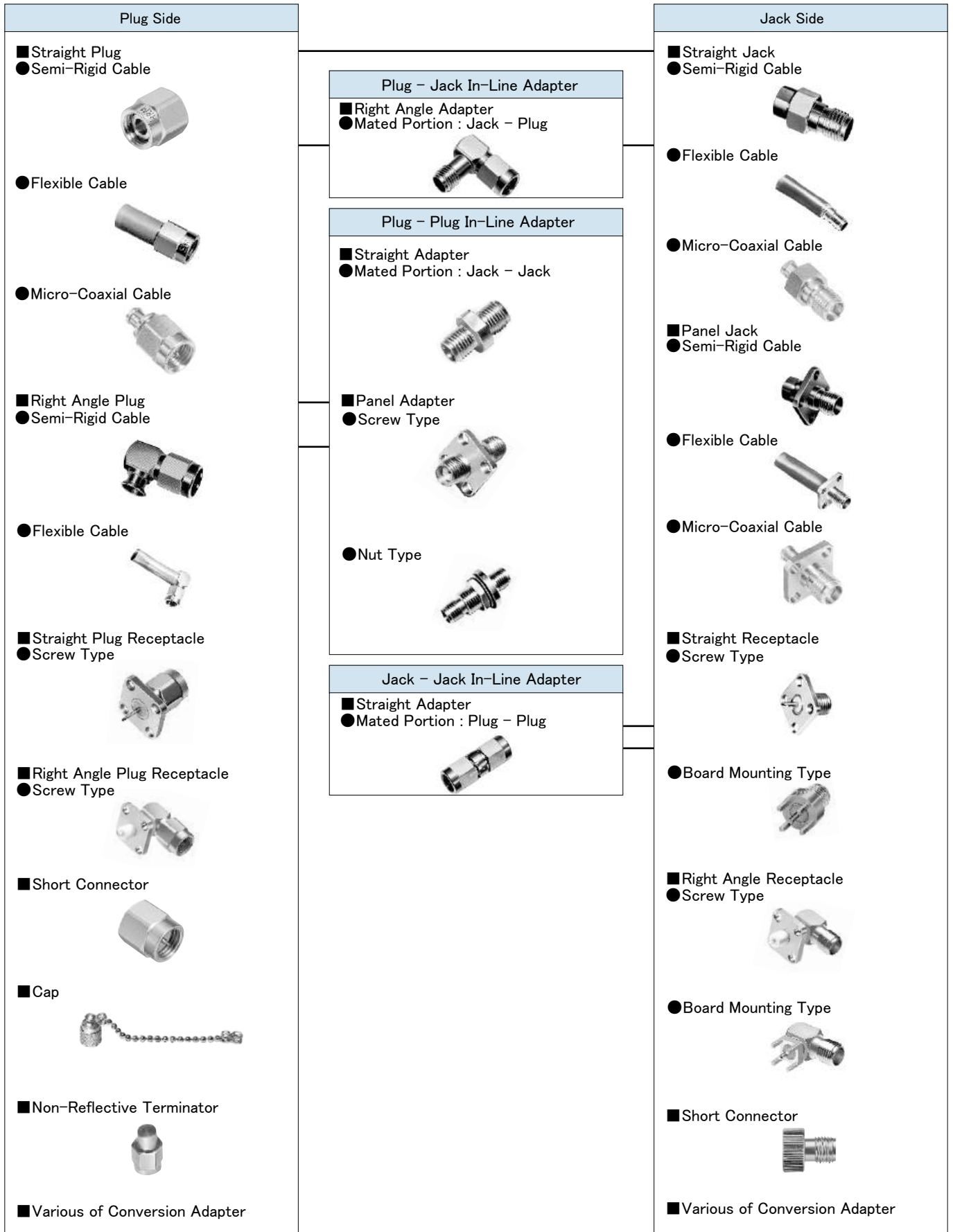
Those of the S type have the letter S is added to the end of their part number.

(For passivated treatment, see S-Type recommendations page.)

Ex.1 HRM-301(09) : Exterior, Gold Plating

Ex.2 HRM-301S : Exterior, Passivated

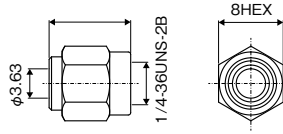
Functional Diagram



Apr. 1. 2026 Copyright 2026 HIROSE ELECTRIC CO., LTD. All Rights Reserved.

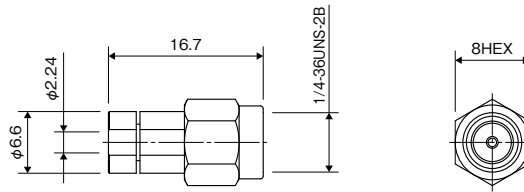
Straight Plug

● For 0.141 inch Semi-Rigid Cable

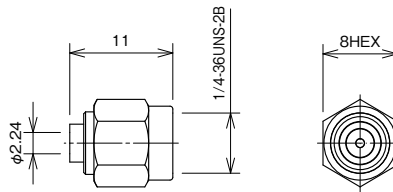


| Part No. | HRS No. | Finish | Purchase Unit |
|--------------|------------------|---|---------------|
| HRM-101(09) | CL0323-0001-1-09 | Gold Plating | 20pcs per bag |
| HRM-101S(09) | CL0323-0153-0-09 | Shell: Gold Plating Coupling: Passivated | |

● For 0.085 inch Semi-Rigid Cable

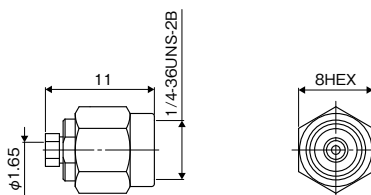


| Part No. | HRS No. | Finish | Purchase Unit |
|----------------|------------------|--|---------------|
| HRM-100-1S(40) | CL0323-0125-4-40 | Shell and Coupling: Passivated Tightner: Gold Plating | 20pcs per bag |



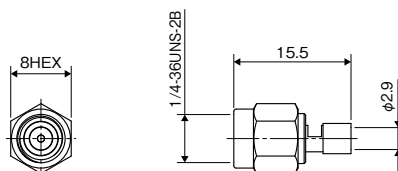
| Part No. | HRS No. | Finish | Purchase Unit |
|---------------------|------------------|---|---------------|
| HRM-100-2.19PSP(40) | CL0323-0528-0-40 | Shell: Gold Plating Coupling: Passivated | 20pcs per bag |

● For 1.6mm Semi-Rigid Cable



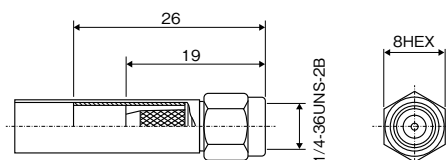
| Part No. | HRS No. | Finish | Purchase Unit |
|-----------------|------------------|---|---------------|
| HRM-100-18B(40) | CL0323-0442-7-40 | Shell: Nickel Plating Coupling: Passivated Tightner: Gold Plating | 20pcs per bag |

● For 0.085 inch Semi-Flexible Cable



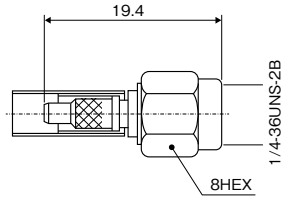
| Part No. | HRS No. | Finish | Purchase Unit |
|------------------|------------------|---|---------------|
| HRM-200-SF085PSG | CL0323-0037-0-00 | Shell: Gold Plating Coupling: Passivated | 20pcs per bag |

● For Flexible Cable



| Part No. | HRS No. | Applicable Cable | Purchase Unit |
|--------------|------------------|----------------------|---------------|
| HRM-202S(40) | CL0323-0117-6-40 | RG-142B/U RG-55/U | 20pcs per bag |

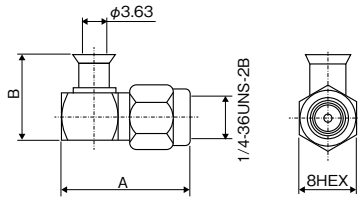
Apr. 1. 2026 Copyright 2026 HIROSE ELECTRIC CO., LTD. All Rights Reserved.



| Part No. | HRS No. | Applicable Cable | Purchase Unit |
|-------------------|------------------|------------------|---------------|
| HRM-200-2-C(40) | CL0323-0369-9-40 | 1.5D-2V | 20pcs per bag |
| HRM-200-2S-C(40) | CL0323-0412-6-40 | | |
| HRM-200-2-1C(40) | CL0323-0520-9-40 | 1.5D-2W | |
| HRM-200-2S-1C(40) | CL0323-0500-1-40 | | |

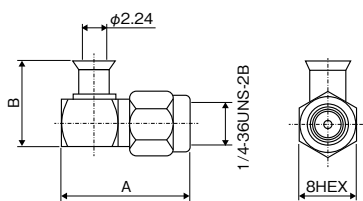
Right Angle Plug

● For 0.141 inch Semi-Rigid Cable



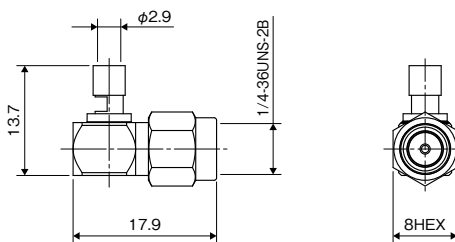
| Part No. | HRS No. | Terminal Type | Purchase Unit |
|--------------|------------------|---------------|---------------|
| HRM-401S(40) | CL0323-0070-4-40 | Round Bar | 20pcs per bag |

● For 0.085 inch Semi-Rigid Cable



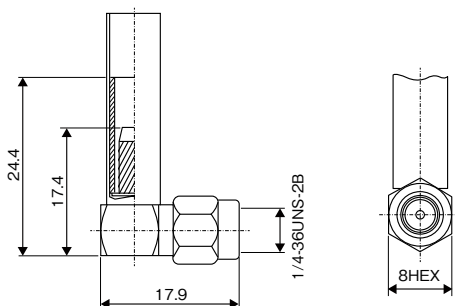
| Part No. | HRS No. | Finish | A | B | Purchase Unit |
|-----------------------|------------------|---|------|-----|---------------|
| HRM-100-4(40) | CL0323-0147-7-40 | Gold Plating | 17.9 | 11 | 20pcs per bag |
| HRM-100-4S-A(40) | CL0323-0695-2-40 | Shell: Gold Plating Coupling: Passivated | | | |
| HRM-LP100-085BN-2(40) | CL0323-0841-2-40 | Shell: Brass, Nickel Plating | 17 | 9.6 | |

● For 0.085 inch Semi-Flexible Cable



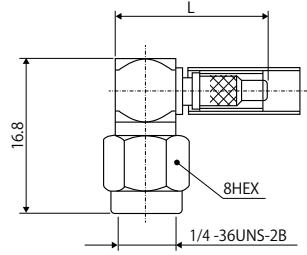
| Part No. | HRS No. | Finish | Purchase Unit |
|-------------------|------------------|---|---------------|
| HRM-200-SF085LPSG | CL0323-0039-0-00 | Shell: Gold Plating Coupling: Passivated | 20pcs per bag |

● For Flexible Cable



| Part No. | HRS No. | Applicable Cable | Purchase Unit |
|--------------|------------------|----------------------|---------------|
| HRM-208(40) | CL0323-0012-8-40 | RG-142B/U RG-55/U | 20pcs per bag |
| HRM-208S(40) | CL0323-0119-1-40 | | |

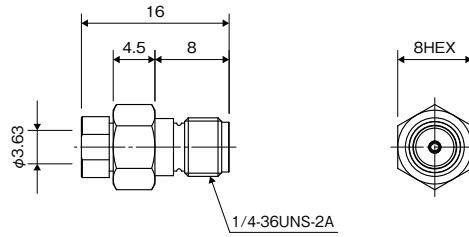
Apr. 1. 2026 Copyright 2026 HIROSE ELECTRIC CO., LTD. All Rights Reserved.



| Part No. | HRS No. | Applicable Cable | L | Purchase Unit |
|----------------------|------------------|------------------|------|---------------|
| HRM-200-4S-C(40) | CL0323-0413-9-40 | 1.5D-2V | 16.8 | 20pcs per bag |
| HRM-200-1.5LPSN | CL0323-0891-0-00 | | 16 | |
| HRM-200-4S-1C(40) | CL0323-0505-5-40 | 1.5D-2W | 16.8 | |
| HRM-200-1.5WLPSN(40) | CL0323-0751-1-40 | | 16 | |
| HRM-208S-1.5DQS(40) | CL0323-0687-4-40 | 1.5D-HQ.SUPER | 14.5 | |

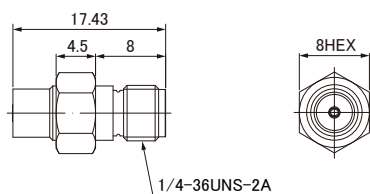
Jack

● For 0.141 inch Semi-Rigid Cable



| Part No. | HRS No. | Finish | Purchase Unit |
|--------------|------------------|---|---------------|
| HRM-102(09) | CL0323-0002-4-09 | Gold Plating | 20pcs per bag |
| HRM-102S(09) | CL0323-0131-7-09 | Shell: Passivated Tightner: Gold Plating | |

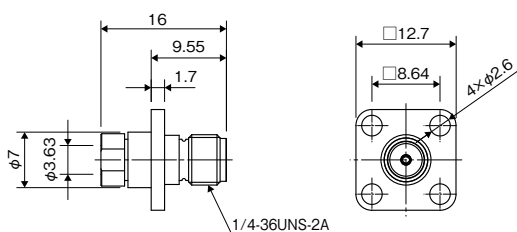
● For Flexible Cable



| Part No. | HRS No. | Applicable Cable | Purchase Unit |
|---------------------|------------------|------------------|---------------|
| HRM-200-1.5WJBN(40) | CL0323-0711-7-40 | 1.5D-2W | 20pcs per bag |
| HRM-200-1.5JBN(40) | CL0323-0799-8-40 | 1.5D-2V | |

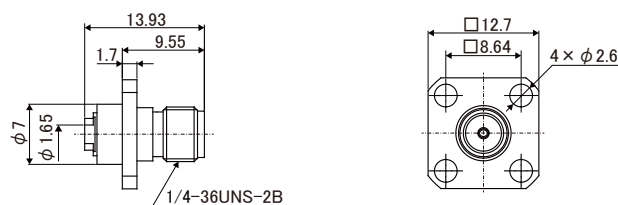
Panel Jack

● For 0.141 inch Semi-Rigid Cable



| Part No. | HRS No. | Finish | Purchase Unit |
|--------------|------------------|---|---------------|
| HRM-103S(09) | CL0323-0141-0-09 | Shell: Passivated Tightner: Gold Plating | 20pcs per bag |

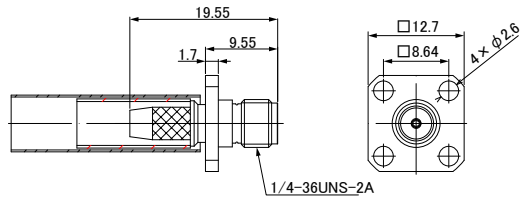
● For 1.6mm Semi-Rigid Cable



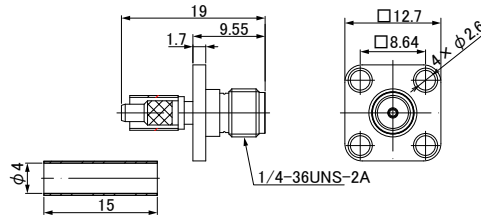
| Part No. | HRS No. | Finish | Purchase Unit |
|-----------------|------------------|---|---------------|
| HRM-100-32S(40) | CL0323-0251-9-40 | Shell: Passivated Tightner: Gold Plating | 20pcs per bag |

Apr. 1. 2026 Copyright 2026 HIROSE ELECTRIC CO., LTD. All Rights Reserved.

● For Flexible Cable



HRM-206S

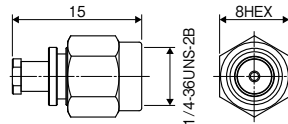


HRM-200-3S-1C

| Part No. | HRS No. | Applicable Cable | Purchase Unit |
|---------------|------------------|-------------------|---------------|
| HRM-206S | CL0323-0118-9-00 | RG-142B/U、RG-55/U | 20pcs per bag |
| HRM-200-3-C | CL0323-0370-8-00 | 1.5D-2V | |
| HRM-200-3S-1C | CL0323-0906-6-00 | 1.5D-2W | |

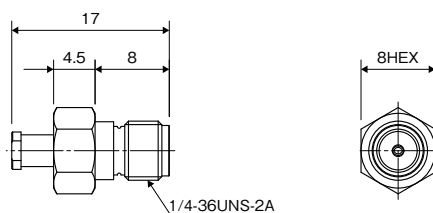
Micro-Coaxial Cable (Frequency up to 8 GHz)

● Straight Plug



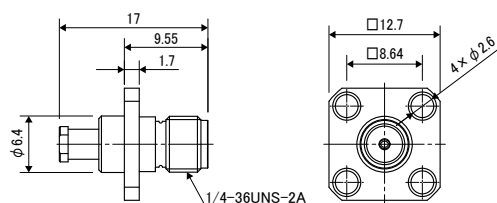
| Part No. | HRS No. | Applicable Cable | Purchase Unit |
|--------------------|------------------|--------------------------|---------------|
| HRM-200-040PBN(40) | CL0323-0790-3-40 | ϕ 0.81 | 20pcs per bag |
| HRM-200-066PBN(40) | CL0323-0791-6-40 | ϕ 1.13, ϕ 1.32 | |
| HRM-200-088PBN(40) | CL0323-0800-5-40 | ϕ 1.37, ϕ 1.48 | |

●Straight Jack



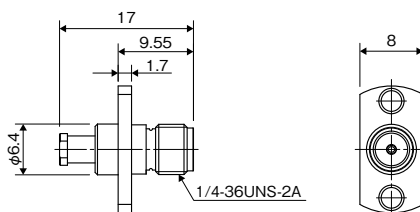
| Part No. | HRS No. | Applicable Cable | Purchase Unit |
|--------------------|------------------|------------------|---------------|
| HRM-200-040JBN(40) | CL0323-0792-9-40 | φ 0.81 | 20pcs per bag |
| HRM-200-066JBN(40) | CL0323-0793-1-40 | φ 1.13, φ 1.32 | |
| HRM-200-088JBN(40) | CL0323-0801-8-40 | φ 1.37, φ 1.48 | |

●Panel Jack (4 Screws Type)



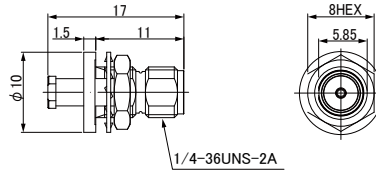
| Part No. | HRS No. | Applicable Cable | Purchase Unit |
|----------------------|------------------|------------------|---------------|
| HRM-200-040PJ4BN(40) | CL0323-0795-7-40 | φ 0.81 | 20pcs per bag |
| HRM-200-066PJ4BN(40) | CL0323-0796-0-40 | φ 1.13, φ 1.32 | |
| HRM-200-088PJ4BN(40) | CL0323-0803-3-40 | φ 1.37, φ 1.48 | |

●Panel Jack (2 Screws Type)



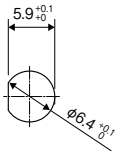
| Part No. | HRS No. | Applicable Cable | Purchase Unit |
|----------------------|------------------|------------------|---------------|
| HRM-200-040PJ2BN(40) | CL0323-0794-4-40 | φ 0.81 | 20pcs per bag |
| HRM-200-066PJ2BN(40) | CL0323-0788-1-40 | φ 1.13, φ 1.32 | |
| HRM-200-088PJ2BN(40) | CL0323-0802-0-40 | φ 1.37, φ 1.48 | |

● Panel Jack (Nut Type)

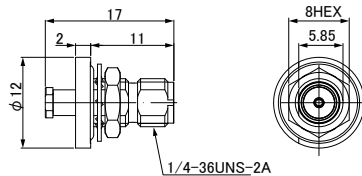


| Part No. | HRS No. | Applicable Cable | Purchase Unit |
|----------------------|------------------|------------------|---------------|
| HRM-200-040BPJBN(40) | CL0323-0797-2-40 | φ 0.81 | 20pcs per bag |
| HRM-200-066BPJBN(40) | CL0323-0798-5-40 | φ 1.13, φ 1.32 | |
| HRM-200-088BPJBN(40) | CL0323-0804-6-40 | φ 1.37, φ 1.48 | |

■ Mounting Hole Dimension

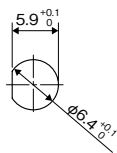


● Panel Jack (Nut Type, Flange Part Waterproofing)

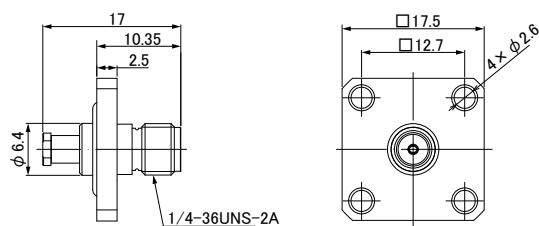


| Part No. | HRS No. | Applicable Cable | Purchase Unit |
|-------------------|------------------|------------------|---------------|
| HRM-200-040WBPJBN | CL0323-0945-8-00 | φ 0.81 | 20pcs per bag |
| HRM-200-066WBPJBN | CL0323-0946-0-00 | φ 1.13, φ 1.32 | |
| HRM-200-088WBPJBN | CL0323-0920-7-00 | φ 1.37, φ 1.48 | |

■ Mounting Hole Dimension



●Panel Jack (4 Screws Type, Flange Part Waterproofing)

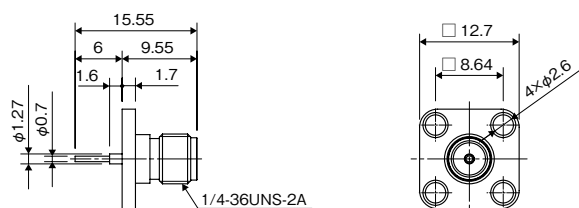


| Part No. | HRS No. | Applicable Cable | Purchase Unit |
|-------------------|------------------|--------------------------|---------------|
| HRM-200-040WPJ4BN | CL0323-0084-0-00 | ϕ 0.81 | 20pcs per bag |
| HRM-200-066WPJ4BN | CL0323-0052-0-00 | ϕ 1.13, ϕ 1.32 | |
| HRM-200-088WPJ4BN | CL0323-0005-0-00 | ϕ 1.37, ϕ 1.48 | |

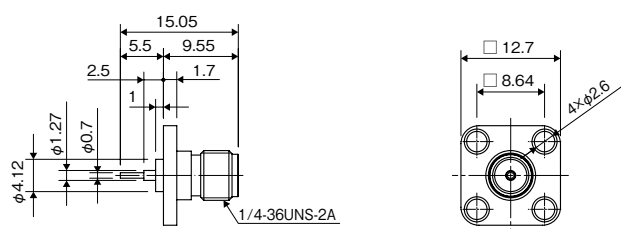
Receptacle

We have a variety of mounting parts for the receptacle. There are for stripline mounting (Microstrip, Tri-Plate, Suspender type), for waveguide mounting, for lead mounting, and more. Mounting methods are 4 or 2 screws type (M2.3).

●Straight (4 Screws Type)

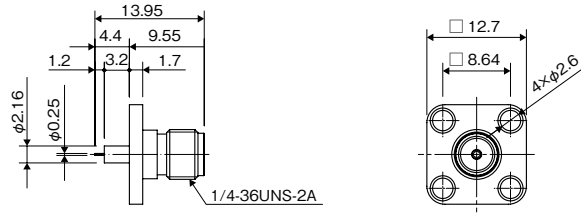


| Part No. | HRS No. | Terminal Type | Purchase Unit |
|-------------|------------------|---------------|---------------|
| HRM-301(09) | CL0323-0013-0-09 | Round Bar | 20pcs per bag |
| HRM-301S | CL0323-0058-9-00 | Round Bar | |



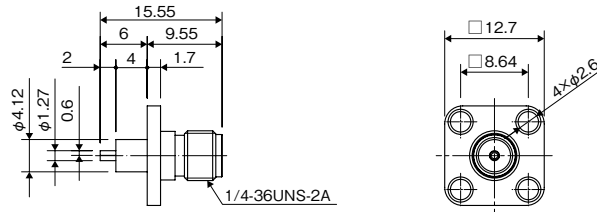
| Part No. | HRS No. | Terminal Type | Purchase Unit |
|-------------|------------------|---------------|---------------|
| HRM-302(09) | CL0323-0014-3-09 | Round Bar | 20pcs per bag |

Apr. 1. 2026 Copyright 2026 HIROSE ELECTRIC CO., LTD. All Rights Reserved.



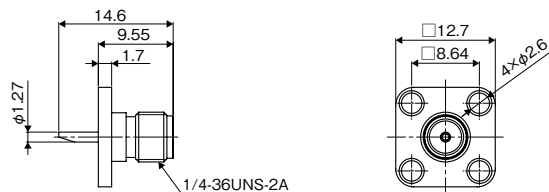
| Part No. | HRS No. | Terminal Type | Purchase Unit |
|--------------|------------------|---------------|---------------|
| HRM-300-118S | CL0323-0229-0-00 | Round Bar | 20pcs per bag |

● Straight (2 Screws Type)

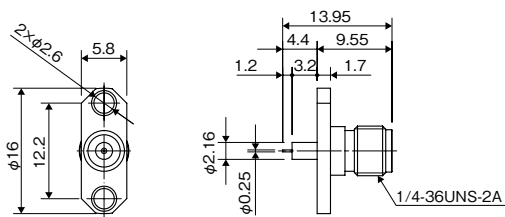


| Part No. | HRS No. | Terminal Type | Purchase Unit |
|-------------|------------------|---------------|---------------|
| HRM-306(09) | CL0323-0018-4-09 | Half Cut | 20pcs per bag |
| HRM-306S | CL0323-0063-9-00 | Half Cut | |

Note: There is also HRM(G)-306S that supports up to 18 GHz.

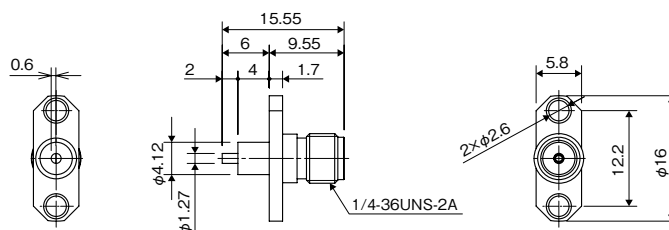


| Part No. | HRS No. | Terminal Type | Purchase Unit |
|-------------|------------------|---------------|---------------|
| HRM-300-60S | CL0323-0120-0-00 | Soldering | 20pcs per bag |

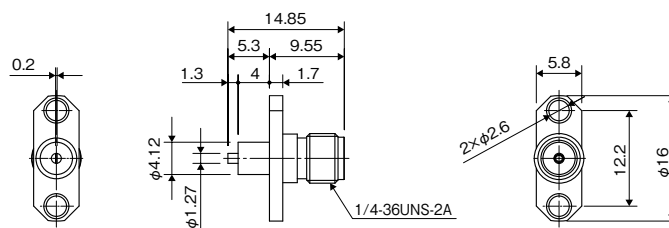


| Part No. | HRS No. | Terminal Type | Purchase Unit |
|--------------|------------------|---------------|---------------|
| HRM-300-110S | CL0323-0228-7-00 | Round Bar | 20pcs per bag |

● Straight (PCB Mounted Type)

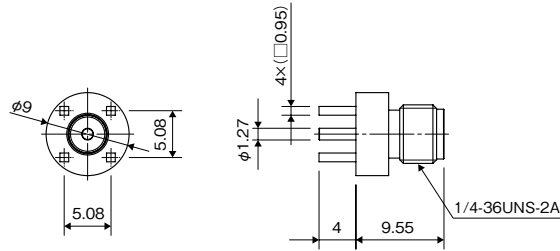


| Part No. | HRS No. | Terminal | Purchase Unit |
|-------------|------------------|----------|---------------|
| HRM-303(09) | CL0323-0015-6-09 | Half Cut | 20pcs per bag |
| HRM-303S | CL0323-0060-0-00 | Half Cut | |



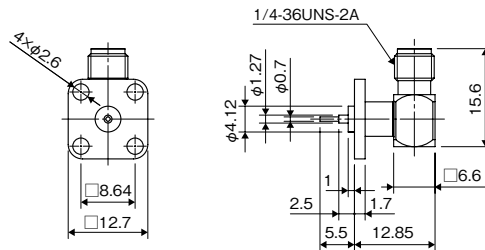
| Part No. | HRS No. | Terminal Type | Remarks | Purchase Unit |
|--------------|------------------|---------------|------------|---------------|
| HRM-300-111S | CL0323-0215-5-00 | Tab | 0 to 18GHz | 20pcs per bag |

Apr. 1. 2026 Copyright 2026 HIROSE ELECTRIC CO., LTD. All Rights Reserved.

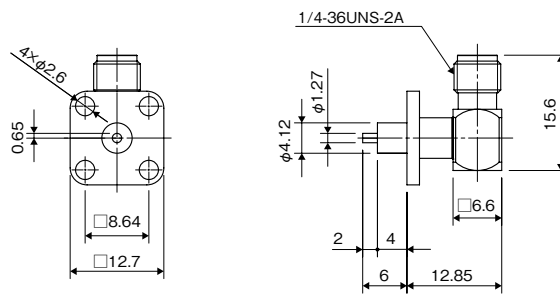


| Part No. | HRS No. | Remarks | Purchase Unit |
|------------------|------------------|--------------|---------------|
| HRM-300-134B(40) | CL0323-0296-7-40 | Shell: Brass | 20pcs per bag |

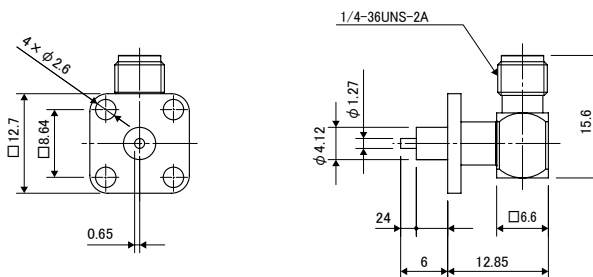
● Right Angle (4 Screws Type)



| Part No. | HRS No. | Terminal Type | Purchase Unit |
|--------------|------------------|---------------|---------------|
| HRM-307(40) | CL0323-0019-7-40 | Round Bar | 20pcs per bag |
| HRM-307S(40) | CL0323-0064-1-40 | Round Bar | |

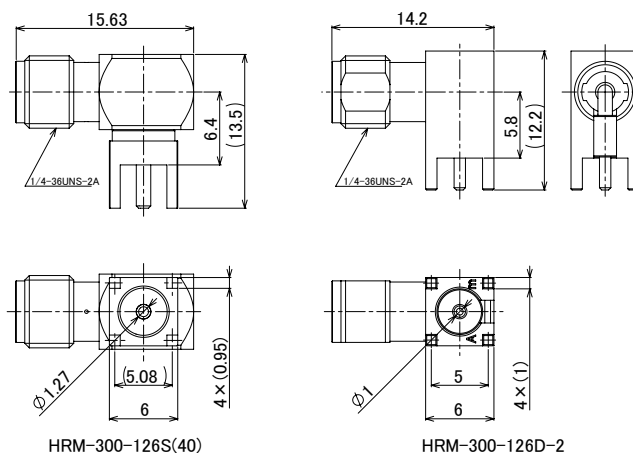


| Part No. | HRS No. | Terminal Type | Purchase Unit |
|-------------|------------------|---------------|---------------|
| HRM-305(40) | CL0323-0017-1-40 | Half Cut | 20pcs per bag |

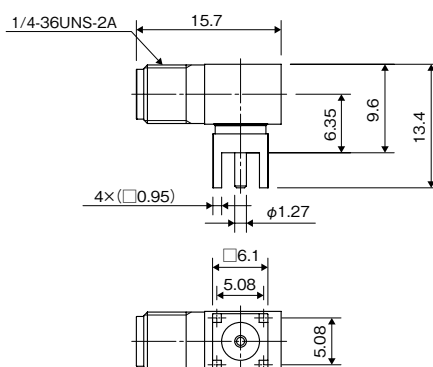


| Part No. | HRS No. | Terminal Type | Purchase Unit |
|--------------|------------------|---------------|---------------|
| HRM-310S(40) | CL0323-0067-0-40 | Half Cut | 20pcs per bag |

● Right Angle (PCB Mounted Type)



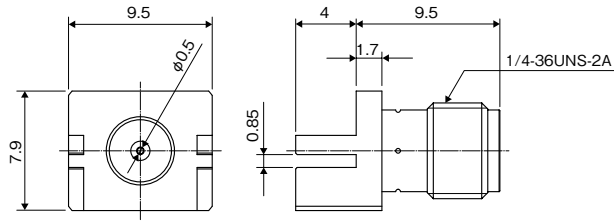
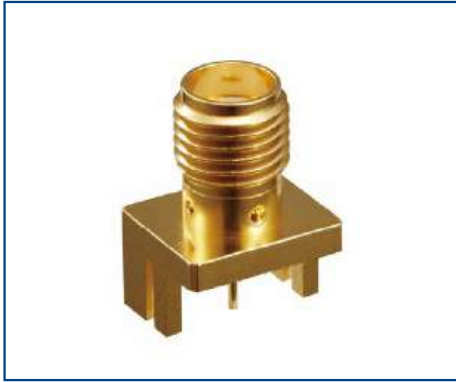
| Part No. | HRS No. | Remarks | Purchase Unit |
|------------------|------------------|---------------------------|----------------|
| HRM-300-126S(40) | CL0323-0253-4-40 | | 20pcs per bag |
| HRM-300-126D-2 | CL0323-0940-4-00 | Recommended, Economy Type | 50pcs per tray |



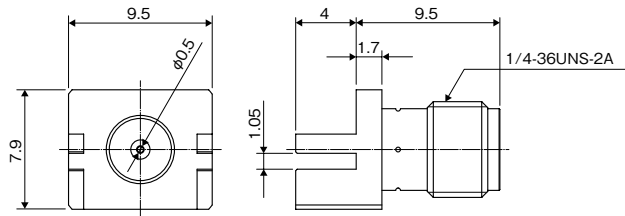
| Part No. | HRS No. | Remarks | Purchase Unit |
|------------------|------------------|--------------|---------------|
| HRM-300-126B(40) | CL0323-0295-4-40 | Shell: Brass | 20pcs per bag |

Apr. 1. 2026 Copyright 2026 HIROSE ELECTRIC CO., LTD. All Rights Reserved.

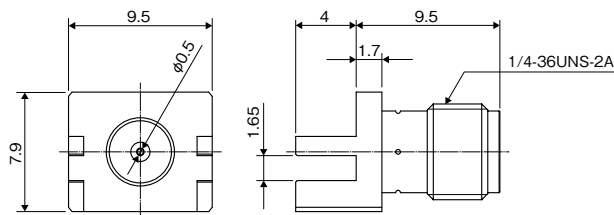
●PCB Clip Type



| Part No. | HRS No. | Remarks | Purchase Unit |
|-----------------|------------------|----------------------|---------------|
| HRM(G)-300-439B | CL0323-0873-9-00 | PCB Thickness: 0.8mm | 20pcs per bag |



| Part No. | HRS No. | Remarks | Purchase Unit |
|-----------------|------------------|----------------------|---------------|
| HRM(G)-300-438B | CL0323-0877-0-00 | PCB thickness: 1.0mm | 20pcs per bag |

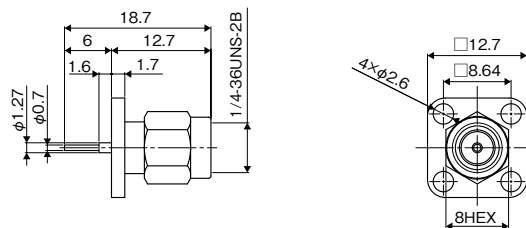


| Part No. | HRS No. | Remarks | Purchase Unit |
|-----------------|------------------|----------------------|---------------|
| HRM(G)-300-436B | CL0323-0908-1-00 | PCB thickness: 1.6mm | 20pcs per bag |

Plug Receptacle (Mated Porstion : Plug)

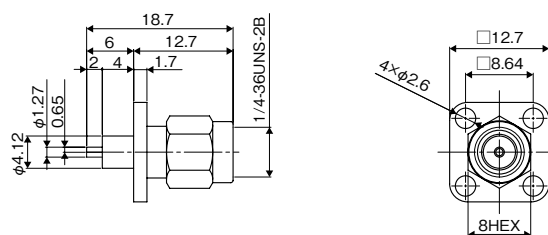
We have various type of mounting part of Plug Receptacle. There are for stripline mounting (Microstrip, Tri-Plate, Suspendor type), for waveguide mounting, for lead mounting, and more. Mounting methods are 4 or 2 screws type (M2.3).

● Straight (4 Screw Type)

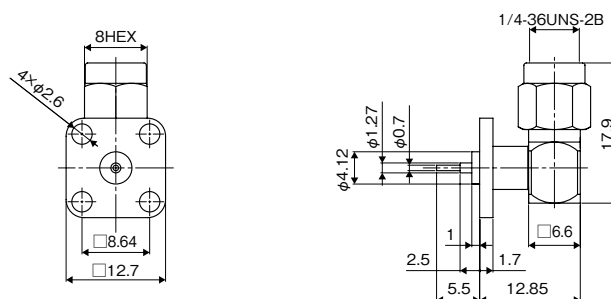


| Part No. | HRS No. | Terminal Type | Purchase Unit |
|--------------|------------------|---------------|---------------|
| HRM-401S(40) | CL0323-0070-4-40 | Round Bar | 20pcs per bag |

● Right Angle (4 Screws Type)

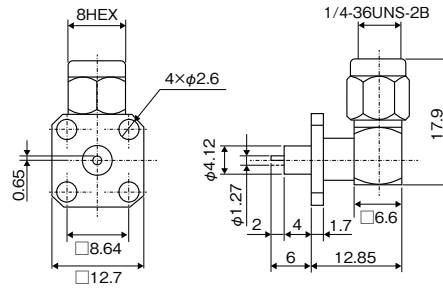


| Part No. | HRS No. | Terminal Type | Purchase Unit |
|--------------|------------------|---------------|---------------|
| HRM-406(40) | CL0323-0026-2-40 | Half Cut | 20pcs per bag |
| HRM-406S(40) | CL0323-0075-8-40 | Half Cut | |



| Part No. | HRS No. | Terminal Type | Purchase Unit |
|--------------|------------------|---------------|---------------|
| HRM-407S(40) | CL0323-0076-0-40 | Round Bar | 20pcs per bag |

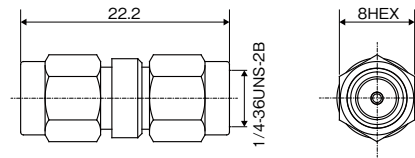
Apr. 1. 2026 Copyright 2026 HIROSE ELECTRIC CO., LTD. All Rights Reserved.



| Part No. | HRS No. | Terminal Type | Purchase Unit |
|--------------|------------------|---------------|---------------|
| HRM-405S(40) | CL0323-0074-5-40 | Half Cut | 20pcs per bag |

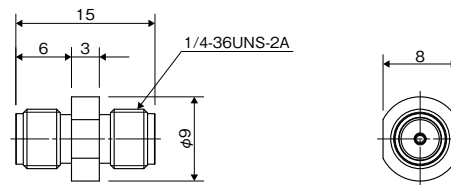
In-Line Adapter

● Straight (Mated Portion: Plug - Plug)



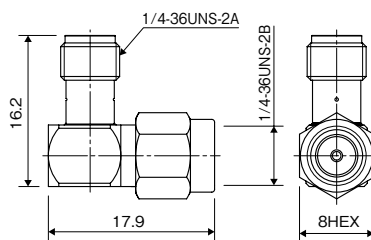
| Part No. | HRS No. | Purchase Unit |
|--------------|------------------|---------------|
| HRM-502(40) | CL0323-0030-0-40 | 20pcs per bag |
| HRM-502S(40) | CL0323-0157-0-40 | |

● Straight (Mated Portion: Jack - Jack)



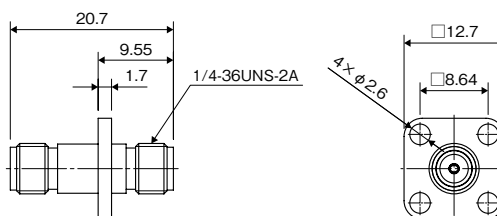
| Part No. | HRS No. | Purchase Unit |
|-------------|------------------|---------------|
| HRM-501(09) | CL0323-0029-0-09 | 20pcs per bag |
| HRM-501S | CL0323-0156-8-00 | |

●Right Angle (Mated Portion: Plug - Jack)



| Part No. | HRS No. | Purchase Unit |
|--------------|------------------|---------------|
| HRM-503(40) | CL0323-0031-2-40 | 20pcs per bag |
| HRM-503S(40) | CL0323-0112-2-40 | |

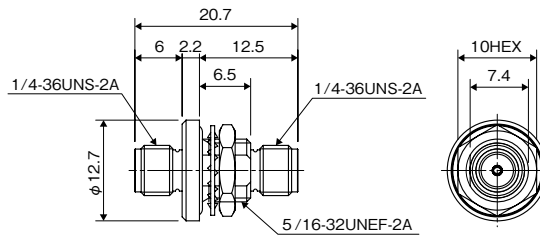
●Panel (Mated Portion: Jack - Jack)



| Part No. | HRS No. | Remarks | Purchase Unit |
|-------------|------------------|---------------------------------------|---------------|
| HRM-513(09) | CL0323-0034-0-09 | 0 to 18GHz | 20pcs per bag |
| HRM-513S | CL0323-0078-6-00 | | |
| HRM-513SV | CL0323-0657-3-00 | Impedance Matching Type 0 to 20GHz | |

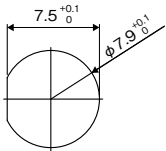
Apr. 1. 2026 Copyright 2026 HIROSE ELECTRIC CO., LTD. All Rights Reserved.

●Panel (Nut Type) (Mated Portion: Jack - Jack)



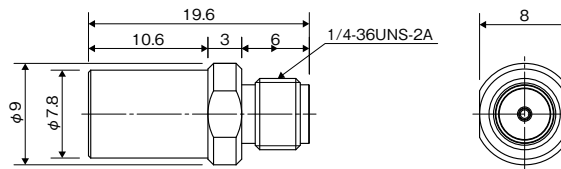
| Part No. | HRS No. | Remarks | Purchase Unit |
|-----------------|------------------|---------------------------------------|---------------|
| HRM-500-1SV(40) | CL0323-0659-9-40 | Impedance Matching Type 0 to 20GHz | 20pcs per bag |

■Mounting Hole Dimension



●Straight (Mated Portion: Jack - SMA-Compatible Push-on Plug)

Significantly reduces the man-hours required to inspect plug harness products.

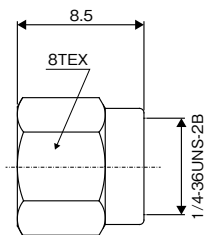


| Part No. | HRS No. | Purchase Unit |
|---------------|------------------|---------------|
| HRMP(PO)-HRMJ | CL0323-0741-8-00 | 20pcs per bag |

Note: This adapter converts the mating part of a plug into a push-on type plug.
It can be used as a measuring tool as the man-hours required for mating with the jack can be significantly reduced.

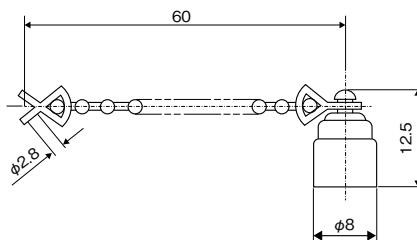
Short Connector

● Plug



| Part No. | HRS No. | Purchase Unit |
|-------------|------------------|---------------|
| HRM-504(09) | CL0323-0032-5-09 | 20pcs per bag |

Dust Cap



| Part No. | HRS No. | Purchase Unit |
|--------------|------------------|---------------|
| HRM-514(40) | CL0323-0038-1-40 | 20pcs per bag |
| HRM-514S(40) | CL0323-0150-1-40 | |

Termination Tools

Below are a table giving an overview of the tools used for connecting the wiring of the HRM series and a table listing the tools used for typical products.

| Tool Name | Tool Overview |
|-----------|---|
| HRM-T-1 | Positioning Tool for Center Contact of Female Joint |
| HRM-T-2 | Positioning Tool for Center Contact of Male Joint |

HRM-T-1
Locator for Jack

HRM-T-2
Locator for Plug



| Type | Part No. | Termination Tools | HRS No. | Overview |
|--|--------------------------------------|---------------------|------------------|--------------------------|
| Straight Plug (Common to Termination Tools) | HRM-200-040PBN(40) | HRM-200/SO-MD | CL0902-3192-6-00 | External Solder Receiver |
| | HRM-200-066PBN(40) | HRM-200/SO-MD2 | CL0902-3199-5-00 | Center Solder Receiver |
| | HRM-200-088PBN(40) | HRM-200-PBN/CV-MD | CL0902-3198-2-00 | Cord Tube Press-fit |
| Straight Jack (Common to Termination Tools) | HRM-200-040JBN(40) | HRM-200/SO-MD | CL0902-3192-6-00 | External Solder Receiver |
| | HRM-200-066JBN(40) | HRM-200/SO-MD2 | CL0902-3199-5-00 | Center Solder Receiver |
| | HRM-200-088JBN(40) | HRM-200-JBN/CV-MD | CL0902-3195-4-00 | Cord Tube Press-fit |
| Panel Jack, 4 Screws Type (Common to Termination Tools) | HRM-200-040PJ4BN(40) | HRM-200/SO-MD | CL0902-3192-6-00 | External Solder Receiver |
| | HRM-200-066PJ4BN(40) | HRM-200/SO-MD2 | CL0902-3199-5-00 | Center Solder Receiver |
| | HRM-200-088PJ4BN(40) | HRM-200-PJ4BN/CV-MD | CL0902-3197-0-00 | Cord Tube Press-fit |
| Panel Jack, 2 Screws Type (Common to Termination Tools) | HRM-200-040PJ2BN(40) | HRM-200/SO-MD | CL0902-3192-6-00 | External Solder Receiver |
| | HRM-200-066PJ2BN(40) | HRM-200/SO-MD2 | CL0902-3199-5-00 | Center Solder Receiver |
| | HRM-200-088PJ2BN(40) | HRM-200-PJ2BN/CV-MD | CL0902-3196-7-00 | Cord Tube Press-fit |
| Panel Jack, Nut Type (Common to Termination Tools) | HRM-200-040BPJBN(40) | HRM-200/SO-MD | CL0902-3192-6-00 | External Solder Receiver |
| | HRM-200-066BPJBN(40) | HRM-200/SO-MD2 | CL0902-3199-5-00 | Center Solder Receiver |
| | HRM-200-088BPJBN(40) | HRM-200-BPJBN/CV-MD | CL0902-3194-1-00 | Cord Tube Press-fit |
| Panel Jack, Waterproof Nut Type (Common to Termination Tools) | HRM-200-040WBPJBN | HRM-200/SO-MD | CL0902-3192-6-00 | External Solder Receiver |
| | HRM-200-066WBPJBN | HRM-200/SO-MD2 | CL0902-3199-5-00 | Center Solder Receiver |
| | HRM-200-088WBPJBN | HRM-200-BPJBN/CV-MD | CL0902-3194-1-00 | Cord Tube Press-fit |

Technical Guidance

● S-Type Recommendations

S-Type products are on passivated stainless steel, which is the material of the outer housing.

Passivated finish is a surface treatment that is etched with hydrofluoric acid to reduce iron particles on the surface of stainless steel and then forms a thin oxide film that does not affect conductivity.

This treatment makes the stainless steel more resistant to corrosion.

In aluminum combination, the potential difference between them can be as high as 0.9V. It may induce electrical corrosion depending on the environmental conditions.

The S-Type is not only highly resistant to electrical corrosion, but also superior to gold plated type in terms of corrosion resistance as evidenced by salt spray's acceleration testing in a 5000 hour standing test in an area with a high concentration of sulfite gas.

As for other advantages, there is no drawback that gold plating powder accumulates on the surface of the joint, which is seen in gold plating type. Furthermore, it does not use expensive gold, so we offer it at a lower price than gold plating type.

In order to make better use of these advantages, the S-Type will be standardised in preference to the gold-plated type in the future.

In principle, the S-Type surface treatment is passivated finish, in the following cases, other finish will be used.

(1) For right angle type, Nickel Plated is applied because the surface of stainless steel is discolored significantly by the heat applied during the brazing.

In this case, the potential difference with aluminum is 0.6 V.

(2) In the case of semi-rigid cable connectors (HRM100 to 199), products where the external conductor of the cable is soldered (e.g. the shell of HRM-101S(09)) are gold-plated for solderability.

● High-Frequency Performance

1. Frequency Range

The coaxial transmission line interruption frequency can be obtained by the following formula:

$$f_{\text{cut}} = \frac{191 \times 10^{11}}{\sqrt{\epsilon_0} (d_1 + d_2)} \text{ (Hz)}$$

d_1 = Center Contact Outer Diameter (Unit : mm)

d_2 = External Contact Outer Diameter (Unit : mm)

ϵ_0 = Insulator (PTFE) 's Relative Permittivity

Using this formula, the cutoff frequency of the HRM series is calculated to be 24.5 GHz. However, this value is only a theoretical value for an ideal transmission line, and the upper limit of industrially usable frequency considering Voltage Standing Wave Ratio is about 18 GHz.

Currently, the guaranteed frequency limit of the HRM series is 12.4 GHz, which is lower than 18 GHz, but some products have achieved satisfactory results up to 18 GHz as a typical value, so please contact us if you wish to use the product above 12.4 GHz.

2. Insertion Loss

The insertion loss of the HRM series can be determined by

$$\text{Loss} \leq 0.03 \sqrt{f(\text{GHz})} \quad (\text{dB})$$

Using this formula, the insertion loss at 12.4 GHz is calculated to be 0.1 dB. That is, the insertion loss of the HRM series is below 0.1 dB over the entire guaranteed bandwidth. This value has been fully confirmed by experiments.

3. High Frequency Leakage

The high-frequency leakage of the HRM series has a performance of more than 100 dB within the guaranteed frequency range under two conditions: tightening the coupling to the specified torque and sufficient screw fastening between the set and the connector.

4. S-Type Performance

Due to the surface effect, the gold-plated type has low conductor losses because the electromagnetic field is concentrated in the gold-plated area. On the other hand, the S type has higher conductor losses because they are distributed in the stainless steel section.

However, it can be almost ignored because of the short transmission line length. (Typical length of the transmission line when a receptacle and plug receptacle are connected together is 15.2 mm.)

Also, passivated finish roughens the surface, which is small enough to exceed the finish accuracy of the cut, so it has no impact on performance.

● Coupling Tightening Torque

The appropriate tightening torque for HRM series couplings is 0.6 to 1.0 Nm (6 to 10 kg/cm).

Moreover, the optimum tightening torque within this range is 0.6 Nm (6 kg/cm) when no vibration is applied except during transportation, and 1.0 Nm (10 kg/cm) when vibration is applied.

The reason for setting the range of 0.6 to 1.0 Nm (6 to 10 kg/cm) is that, first, a vibration test under the assumed conditions of vibration during transport confirmed that tightening to 0.3 Nm (3 kg/cm) would not cause loosening.

We doubled the safety factor and set the range of 0.6 Nm (6 kg/cm), and set the upper limit of 1.0 Nm (10 kg/cm) based on the dimensional change in the outer diameter of the male joint's $\phi 4.56 \pm 0.02$ part.

The tightening torque for the HRM series couplings is thus limited, and failure may occur if the torque is outside this range.

When tightening, use a torque spanner of 8 mm x 0.6 Nm (6 kg / cm) or 8 mm x 1.0 Nm (10 kg / cm).

Conversion Adapter List

For more information, please see our company BWA series.

| Joint 1 | | Joint 2 | | Part No. | HRS No. | Remarks | Purchase Unit |
|--------------|------------|-------------|------------|----------------------------------|----------------------------------|------------------------------------|--|
| Series Name | Joint Part | Series Name | Joint Part | | | | |
| SMA (HRM) | Plug | N | Plug | HRM-555S(40) | CL0311-0125-4-40 | | 5pcs per bag |
| | | | Jack | HRM-553S | CL0311-0121-3-00 | | |
| | | | Jack | HRM-557S | CL0311-0138-6-00 | Panel Attachment Type | |
| | Jack | | Plug | HRM-554S(40) | CL0311-0123-9-40 | | |
| | | | Jack | HRM-552S | CL0311-0119-1-00 | | |
| | | | Jack | HRM-556S | CL0311-0127-0-00 | Panel Attachment Type | |
| | Plug | BNC | Plug | HRM-519(40) | CL0311-0101-6-40 | | 20pcs per bag |
| | | | Jack | HRM-517(40) | CL0311-0099-6-40 | | |
| | Jack | | Plug | HRM-518(40) | CL0311-0100-3-40 | | 5pcs per bag |
| | | | Jack | HRM-516(40) | CL0311-0102-9-40 | | |
| | Plug | S | Plug | HRM-509(31) | CL0311-0093-0-31 | | 20pcs per bag |
| | | | Jack | HRM-512S(40) | CL0311-0144-9-40 | Panel Attachment Type | |
| | Jack | | Jack | HRM-506(40) | CL0311-0090-1-40 | | 20pcs per bag |
| | | | | Jack | HRM-511(40) | CL0311-0094-2-40 | |
| | Jack | TNC | Jack | HRMJ-TNCJ-PA(40) | CL0311-0202-3-40 | Panel Attachment Type | 5pcs per bag |
| | Jack | UM | Plug | UM.P-HRM.J(40) | CL0311-0176-5-40 | | |
| | | | Jack | HRMJ-UMJ(40) | CL0311-0164-6-40 | | |
| | Plug | POB | Plug | HRMP-POBP-1(40) | CL0311-0169-0-40 | | 20pcs per bag |
| | | | Jack | HRMP-POBJ | CL0311-0152-7-00 | | |
| | Jack | | Plug | HRMJ-POBP(40) | CL0311-0151-4-40 | | |
| | | | Jack | HRMJ-POBJ(40) | CL0311-0149-2-40 | | |
| | | | Jack | HRMJ-POBJ-PA(40) | CL0311-0150-1-40 | Panel Attachment Type | |
| | Plug | POD | Jack | HRM.P-POD.J(40) | CL0311-0177-8-40 | | 20pcs per bag |
| | | | Jack | Plug | HRMJ-PODP(40) | CL0311-0157-0-40 | |
| | Plug | PO6 | Jack | HRMP-PO6J(40) | CL0311-0172-4-40 | | 20pcs per bag |
| | | | Jack | Plug | HRMJ-PO6P(40) | CL0311-0173-7-40 | |
| | Plug | H.FL | Jack | HRMP-H.FLJ(40) | CL0311-0232-4-40 | For Harness Products Inspection | 20pcs per bag |
| | | | Jack | Plug | HRMJ-H.FLP-3(40) | CL0311-0264-0-40 | |
| | Plug | E.FL | Jack | HRMP-E.FLJ(40) | CL0311-0279-8-40 | For Harness Products Inspection | 20pcs per bag |
| | | | Jack | Plug | HRMJ-E.FLP(40) | CL0311-0278-5-40 | |
| | | | | | HRMJ-E.FLP-5(40) | CL0311-0294-1-40 | For Receptacle Autpmatic Inspection |
| Plug | U.FL | | Jack | HRMP-U.FLJ(40) | CL0311-0300-2-40 | For Harness Products Inspection | 20pcs per bag |
| | | Jack | Plug | HRMJ-U.FLP(40) | CL0311-0301-5-40 | For Receptacle Inspection | |

While Taking into Consideration

Specifications mentioned in this catalog are reference values.

When considering to order or use this product, please review the Drawing and Product Specifications sheets.

Use an appropriate cable when using the connector in combination with cables.

If considering usage of a non-specified cable, please contact your sales representative.

If assembly process is done by jigs & tools which are not identified by Hirose, the warranty of the product may be affected.

If considering usage for below mentioned applications, please contact your sales representative.

In cases where the application will demand a high level of reliability, such as automotive, medical instruments, public infrastructure, aerospace/defense etc. Hirose must review before assurance of reliability can be given.

HRM-TM Series

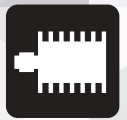
MIL/IEC Standard SMA Connector Non-Reflective Terminator



SMA



MIL Standard



Terminator



Apr. 1. 2026 Copyright 2026 HIROSE ELECTRIC CO., LTD. All Rights Reserved.



Product Page
<https://www.hirose.com/en/product/series/HRM-TM>

Apr. 2023

Materials / Finish

| Component | Material | Finish |
|-----------------|------------------|----------------|
| Exterior (Note) | Stainless Steel | Nickel Plating |
| Insulator | PTFE | — |
| Male Contact | Brass | Gold Plating |
| Female Contact | Beryllium Copper | Gold Plating |
| Outer Conductor | Brass | Nickel Plating |
| Coupling (Note) | Stainless Steel | Passivated |
| Radiator | Aluminum | Black Almite |
| Resistance | Metal Film | — |

(Note) Exterior and coupling of HRM-601(50), HRM-602(50) and HRM-603(50) are gold plated.

Product Number Structure

Refer to the chart below when determining the product specifications from the product number.

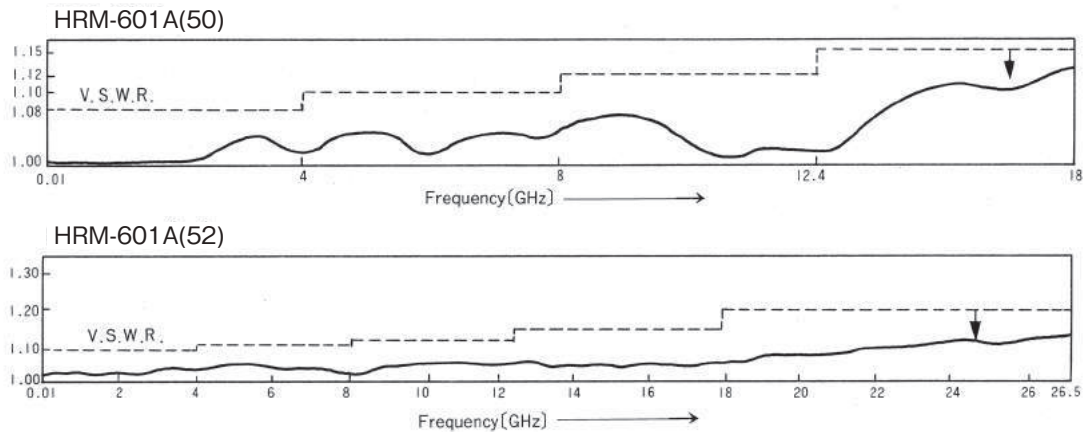
HRM - [] []

① ② ③

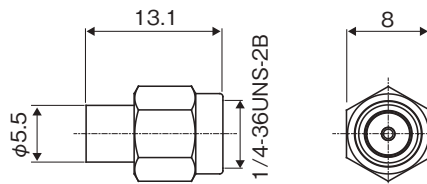
| | | | |
|-----------------------------|----------------------|---------|----------------------|
| ① Series Name | HRM | ③ Power | 0.5 : 1/2W 2 : 2W |
| ② Non-Reflective Terminator | 600 to 699 (Note) TM | | |

(Note) S is added for S type.

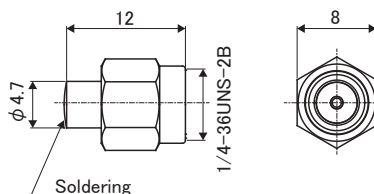
High-Frequency Performance



Non-Reflective Terminator

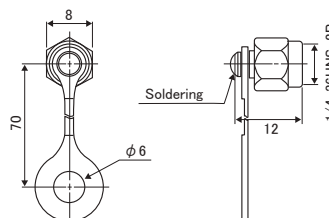


| Part No. | HRS No. | Applicable Frequencies | V.S.W.R. (Max) | | | | Power (W) | Connector Type | Purchase Unit |
|--------------|------------------|------------------------|----------------|-----------|--------------|---------------|-----------|----------------|---------------|
| | | | 0 to 4GHz | 4 to 8GHz | 8 to 12.4GHz | 12.4 to 18GHz | | | |
| HRM-601(50) | CL0353-0057-8-50 | 0 to 18GHz | 1.08 | 1.10 | 1.12 | 1.15 | 1/4 | Plug | 20pcs per bag |
| HRM-601S(50) | CL0353-0060-2-50 | | | | | | | | |



| Part No. | HRS No. | Applicable Frequencies | V.S.W.R. (Max) | | | | | Power (W) | Connector Type | Purchase Unit |
|--------------|------------------|------------------------|----------------|-----------|--------------|---------------|---------------|-----------|----------------|---------------|
| | | | 0 to 4GHz | 4 to 8GHz | 8 to 12.4GHz | 12.4 to 18GHz | 18 to 26.5GHz | | | |
| HRM-601A(50) | CL0353-0017-3-50 | 0 to 18GHz | 1.08 | 1.10 | 1.12 | 1.15 | — | 1/4 | Plug | 20pcs per bag |
| HRM-601A(52) | CL0353-0017-3-52 | 0 to 26.5GHz | | | | | 1.2 | | | |

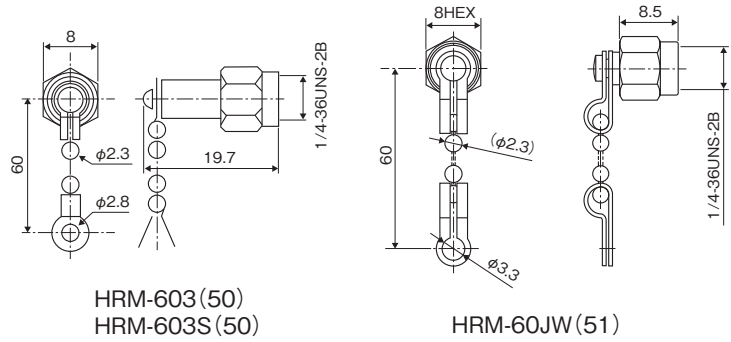
(Note) HRM-601S(50) type without cap.



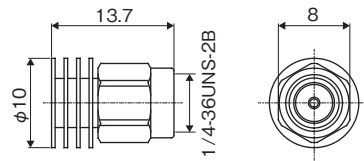
| Part No. | HRS No. | Applicable Frequencies | V.S.W.R. (Max) | | | | Power (W) | Connector Type | Purchase Unit |
|--------------|-------------------|------------------------|----------------|-----------|--------------|---------------|-----------|----------------|---------------|
| | | | 0 to 4GHz | 4 to 8GHz | 8 to 12.4GHz | 12.4 to 18GHz | | | |
| HRM-601D(50) | CL0 353-0064-3-50 | 0 to 18GHz | 1.08 | 1.10 | 1.12 | 1.15 | 1/4 | Plug | 20pcs per bag |

(Note 1) With Coupling

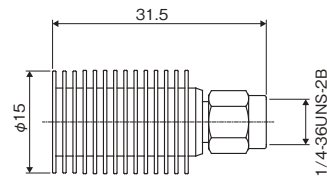
(Note 2) When attaching a connecting wire to the jack side, use one with a vertical dimension of at least 6.6 mm from the mounting surface.



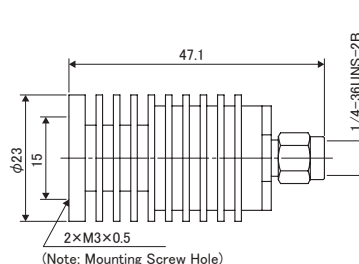
| Part No. | HRS No. | Applicable Frequencies | V.S.W.R. (Max) | | | | Power (W) | Connector Type | Purchase Unit |
|---------------|------------------|------------------------|----------------|-----------|--------------|---------------|-----------|----------------|---------------|
| | | | 0 to 4GHz | 4 to 8GHz | 8 to 12.4GHz | 12.4 to 18GHz | | | |
| HRM-603(50) | CL0353-0059-3-50 | 0 to 18GHz | 1.08 | 1.10 | 1.12 | 1.15 | 1/4 | Plug | 20pcs per bag |
| HRM-603S(50) | CL0353-0062-8-50 | | | | | | | | |
| HRM-601JW(51) | CL0353-0169-1-51 | | | | | | | | |



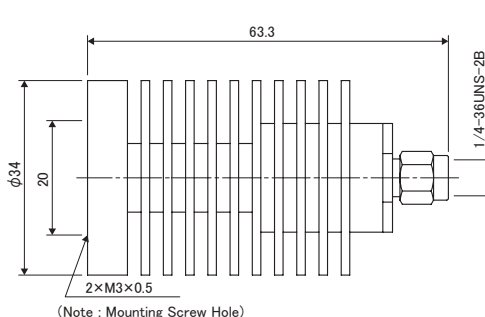
| Part No. | HRS No. | Applicable Frequencies | V.S.W.R. (Max) | | | | Power (W) | Connector Type | Purchase Unit |
|----------------|------------------|------------------------|----------------|-----------|--------------|---------------|-----------|----------------|---------------|
| | | | 0 to 4GHz | 4 to 8GHz | 8 to 12.4GHz | 12.4 to 18GHz | | | |
| HRM-TMP-05(50) | CL0353-0004-1-50 | 0 to 18GHz | 1.08 | 1.10 | 1.12 | 1.15 | 1/2 | Plug | 20pcs per bag |



| Part No. | HRS No. | Applicable Frequencies | V.S.W.R. (Max) | | | | Power (W) | Connector Type | Purchase Unit |
|---------------|------------------|------------------------|----------------|-----------|-----------|------------|-----------|----------------|---------------|
| | | | 0 to 2GHz | 2 to 4GHz | 4 to 8GHz | 8 to 18GHz | | | |
| HRM-TMP-2(40) | CL0353-0005-4-40 | 0 to 18GHz | 1.10 | 1.15 | 1.20 | 1.25 | 2 | Plug | 20pcs per bag |



| Part No. | HRS No. | Applicable Frequencies | V.S.W.R. (Max) | | Power (W) | Connector Type | Purchase Unit |
|-----------------|------------------|------------------------|----------------|-------------|-----------|----------------|---------------|
| | | | 0 to 10GHz | 10 to 18GHz | | | |
| HRM-TMP-5-2(40) | CL0353-0088-1-40 | 0 to 18GHz | 1.20 | 1.30 | 5 | Plug | 1pc per bag |



| Part No. | HRS No. | Applicable Frequencies | V.S.W.R. (Max) | | Power (W) | Connector Type | Purchase Unit |
|------------------|------------------|------------------------|----------------|-------------|-----------|----------------|---------------|
| | | | 0 to 10GHz | 10 to 18GHz | | | |
| HRM-TMP-10-2(40) | CL0353-0089-4-40 | 0 to 18GHz | 1.20 | 1.30 | 10 | Plug | 1pc per bag |

While Taking into Consideration

Specifications mentioned in this catalog are reference values.

When considering to order or use this product, please review the Drawing and Product Specifications sheets.

Use an appropriate cable when using the connector in combination with cables.

If considering usage of a non-specified cable, please contact your sales representative.

If assembly process is done by jigs & tools which are not identified by Hirose, the warranty of the product may be affected.

If considering usage for below mentioned applications, please contact your sales representative.

In cases where the application will demand a high level of reliability, such as automotive, medical instruments, public infrastructure, aerospace/defense etc. Hirose must review before assurance of reliability can be given.

HRM-TM-Flange Series

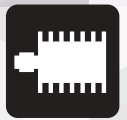
MIL/IEC Standard SMA Connector Non-Reflective Terminator with Flange



SMA



MIL Standard



Terminator



Apr. 1. 2026 Copyright 2026 HIROSE ELECTRIC CO., LTD. All Rights Reserved.



Materials / Finish

| Component | Material | Finish |
|-----------------|------------|----------------|
| Exterior (Note) | Brass | Nickel Plating |
| Insulator | PTFE | — |
| Contact | Brass | Gold Plating |
| Resistance | Metal Film | — |

(Note) Exterior of HRM-TM-025 is stainless steel, gold plated.

Product Number Structure

Refer to the chart below when determining the product specifications from the product number.

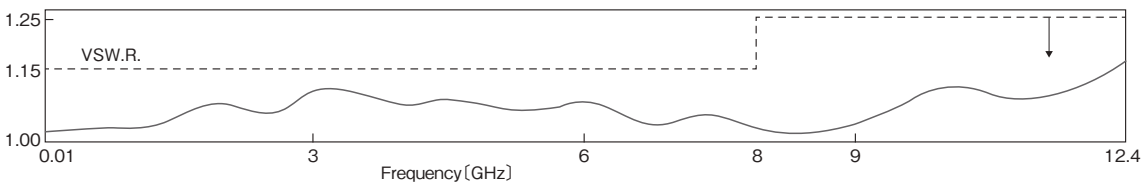
HRM - TM - 025 - 17 (50)

- ① ② ③ ④ ⑤

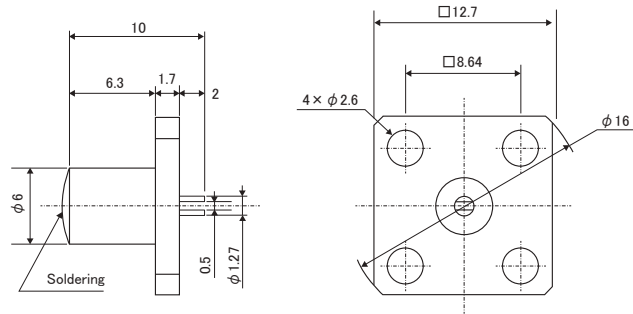
| | | | |
|---------------|---------------------------|----------------------|-----------------------|
| ① Flange Type | HRM Series | ④ Identification No. | |
| ② TM | Non-Reflective Terminator | ⑤ Specification | (50) : RoHS Compliant |
| ③ Power | 025 : 1/4W, 1W | | |

High-Frequency Performance

● HRM-TM-025-17(50)



Non-Reflective Terminator with Flange



HRM-TM-025-17(50)

| Part No. | HRS No. | Frequency (GHz) | V.S.W.R. (Max) | Power (W) | DC Resistance Value (Ω) | Temperature Rise ($^{\circ}\text{C}$ Max) | Operating Temperature ($^{\circ}\text{C}$) | Heat Sink Temperature ($^{\circ}\text{C}$ Max) | Contact Fixed Force ($\mu\text{N}\cdot\text{m}$) | Purchase Unit |
|-------------------|------------------|---------------------|----------------|-----------|----------------------------------|--|--|---|--|---------------|
| HRM-TM-025-17(50) | CL0353-0016-0-50 | 0 to 8 8 to 12.4 | 1.15 1.25 | 1 | 50 ± 2 | 40 | -30 to + 65 | + 65 | 392 | 20pcs per bag |

(Note) This product contains Beryllia. When disposing of the product, follow the relevant laws and regulations.

While Taking into Consideration

Specifications mentioned in this catalog are reference values.

When considering to order or use this product, please review the Drawing and Product Specifications sheets.

Use an appropriate cable when using the connector in combination with cables.

If considering usage of a non-specified cable, please contact your sales representative.

If assembly process is done by jigs & tools which are not identified by Hirose, the warranty of the product may be affected.

If considering usage for below mentioned applications, please contact your sales representative.

In cases where the application will demand a high level of reliability, such as automotive, medical instruments, public infrastructure, aerospace/defense etc. Hirose must review before assurance of reliability can be given.

HIROSE

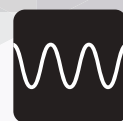
HRS HIROSE ELECTRIC CO.,LTD.

2-6-3 Nakagawa Chuoh, Tsuzuki-Ku, Yokohama-Shi 224-8540, JAPAN
<https://www.hirose.com>

* The contents of this catalog are current as of date of 4/2023. Contents are subject to change without notice for the purpose of improvements.
 * The HRS logo and "HIROSE" are trademarks of HIROSE ELECTRIC CO., LTD.

HRM(G) Series

Excellence Impedance Matching SMA Connector



RF



SMA



User Friendly



Apr. 1. 2026 Copyright 2026 HIROSE ELECTRIC CO., LTD. All Rights Reserved.



Product Page
[https://www.hirose.com/product/series/HRM\(G\)/](https://www.hirose.com/product/series/HRM(G)/)

Apr. 2023

Features

1. Support High-Frequency Band

Internal design optimization enables impedance matching.

2. Conforms to SMA Standard

Compatible with HRM Series

3. Available in Frequency Band up to 28GHz

4. Solderless Mounted

High speed transmission evaluation board receptacle is screw-mounted.

5. Board Mounting Thickness

High speed transmission evaluation board receptacle mounting is possible with boards larger than 0.7mm.

6. PCB Mounting Direction

High speed transmission evaluation board receptacle is available in two variations: PCB horizontal (end-launch) and PCB vertical.

7. RoHS2 Compliant

Applications

Data transmission measurement, cable or radio communication equipment, broadcasting equipment, radar equipment, and contact for in-flight wiring, unit-to-unit connection, and input/output of components constituting the equipment in electronic measuring device, etc.

Product Specifications

| | | | |
|----------------------------------|-------------|-----------------------------|--------------|
| Nominal Characteristic Impedance | 50 Ω | Operating Temperature | -55 to +85°C |
| Rated Voltage | 330V AC | Operating Relative Humidity | 95% Max. |
| Rated Frequency | 0 to 18GHz | | |

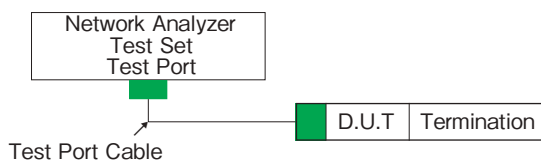
| Items | Specifications | Conditions |
|---------------------------------|---|---|
| Contact Resistance | Center : 4m Ω Max. External : 4m Ω Max. | Measured at 100mA Max. |
| Insulation Resistance | 5000M Ω Min. | Measured at 500V DC |
| Withstanding Voltage | No flashover or insulation breakdown | 1000V AC for 1 min. |
| V.S.W.R.* | See below | See below |
| Pulling force of Female Contact | 0.3N Min. | Measured with ϕ 0.9017 pin gauge |
| Center Contact Fixing Torque | 16.7mN·m Min. | Measured with applicable connector |
| Coupling Tightening Torque | 0.6 to 1.0Nm | Measured with applicable connector |
| Coupling Fixed Strength | 490N Min. | Measured with applicable connector |
| Mating Durability | Contact Resistance 6m Ω Max. | 500 cycles |
| Vibration Resistance | No electrical discontinuity of 1 μ s or more No damage, cracks or part dislocation. | Frequency : 10 to 2000Hz, single amplitude of 0.75mm Acceleration of 196m/s ² , 4 hours in the direction of each of the 3 axis |
| Shock Resistance | No electrical discontinuity of 1 μ s or more No damage, cracks or part dislocation. | Acceleration of 1960m/s ² , 6ms duration Sine halfwave : 3 times each in 3 axial both directions |
| Humidity Resistance | Insulation resistance 100M Ω Min. (in a high humidity environment) Insulation Resistance 5000M Ω Min. (in a dry environment) | Left for 10 cycles (240 hours) in an environment with the temperature ranging from +25 to +65°C and the humidity ranging from 90 to 98%. |
| Thermal Shock | No damage, cracks or part dislocation. | Temperature : -65 \rightarrow +5 to +35 \rightarrow +85 \rightarrow +5 to +35°C Time : 30 \rightarrow 5 \rightarrow 30 \rightarrow 5 minutes for 5 cycles |
| Corrosion Resistance | Satisfying the V.S.W.R. Standard | Continuous 48 hour cycle in 5% salt water solution |

(Note) Information contained in this catalog represents general requirements for this Series. Contact us for the drawings and specifications for a specific part number shown.

* V.S.W.R. (Voltage Standing Wave Ratio) Measurement System

V.S.W.R. of HRM Series is as shown below.

The above V.S.W.R. specification values were measured using the measurement system shown below.



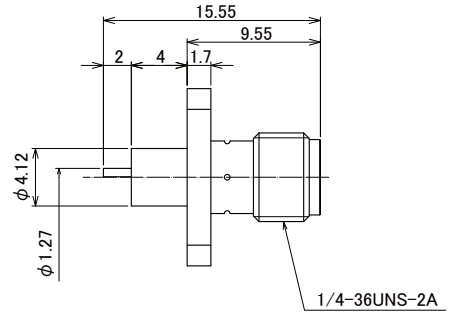
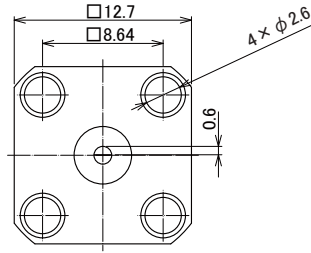
(Note1) The cable connector is measured with the connector attached to the applicable cable.

(Note2) Receptacle and plug receptacle are measured with the measuring adapter installed.

Materials / Finish

| Part | Material | Finish |
|-----------|------------------|-----------------------------|
| Shell | Brass | Gold Plating/Nickel Plating |
| Insulator | PTFE | — |
| Contact | Beryllium Copper | Gold Plating |

Receptacle (Frequency up to 18GHz)

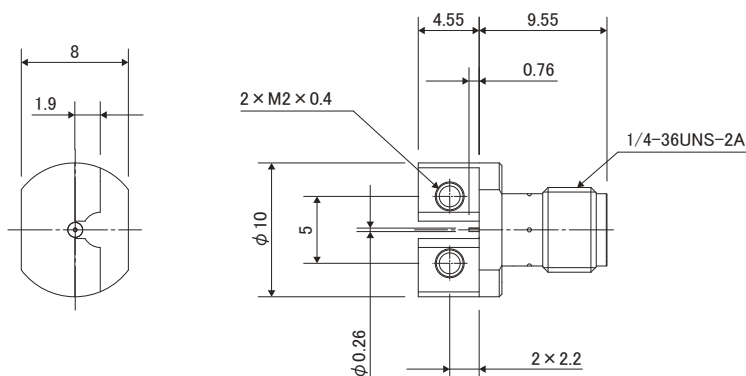


| Part No. | HRS No. | Terminal Type | Remarks |
|-------------|------------------|---------------|--|
| HRM(G)-306S | CL0323-0823-0-00 | Half Cut | 0 to 18GHz compatible HRM-306S compatible |

Receptacle for High Speed Transmission Evaluation Board Ports (Frequency up to 28GHz)

This product is a solderless mounted connector for prototype evaluation of high speed transmission boards. It is not recommended for use in actual commercial equipment.

● End Launch Receptacle

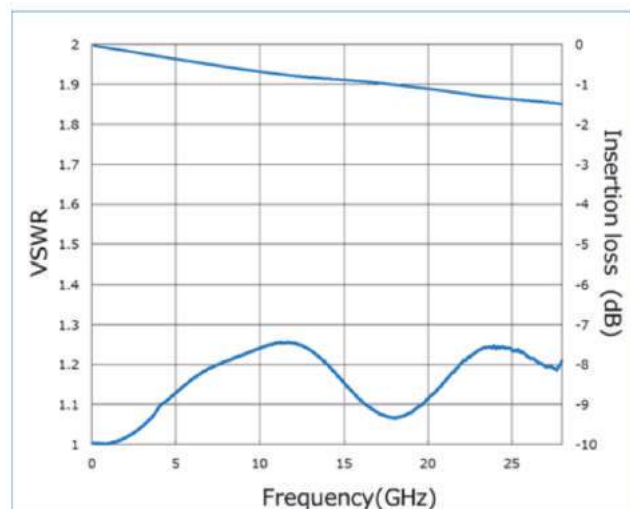


| Part No. | HRS No. | Frequency | Mounting Screw | Purchase Unit |
|-----------------------|------------------|------------|-------------------|---------------|
| HRM(G)-300-467B-1 | CL0323-0937-0-00 | 0 to 28GHz | For No.2-64UNF-2A | 20pcs per bag |
| HRM(G)-300-467B-2 | CL0323-0923-5-00 | 0 to 28GHz | For M2 x 0.4 | |
| HRM(G)-300-467B-2(01) | CL0323-0923-5-01 | 0 to 28GHz | M2 x 0.4 included | |

V.S.W.R. (Max.)

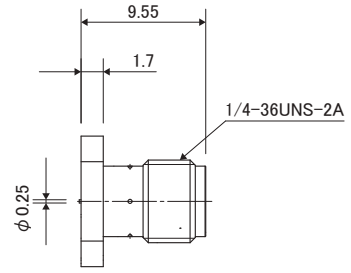
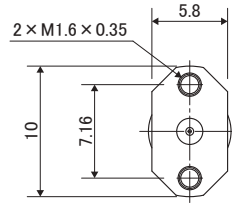
| 0 to 20GHz | 20 to 28GHz |
|------------|-------------|
| 1.4 | 1.7 |

◆ Frequency Characteristics (TYPICAL)



*Connector+Board Line : 10mm

● Straight Receptacle

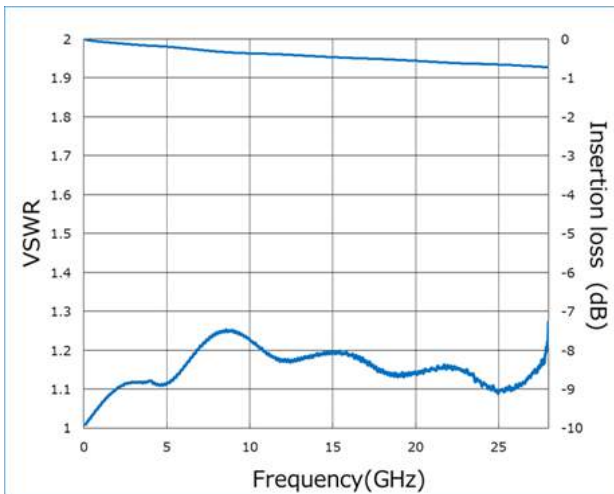


| Part No. | HRS No. | Frequency | Mounting Screw | Purchase Unit |
|-----------------------|------------------|------------|------------------------|---------------|
| HRM(G)-300-468B-1 | CL0323-0924-8-00 | 0 to 28GHz | For No.0-80UNF-2A | 20pcs per bag |
| HRM(G)-300-468B-1(01) | CL0323-0924-8-01 | 0 to 28GHz | No.0-80UNF-2A included | |

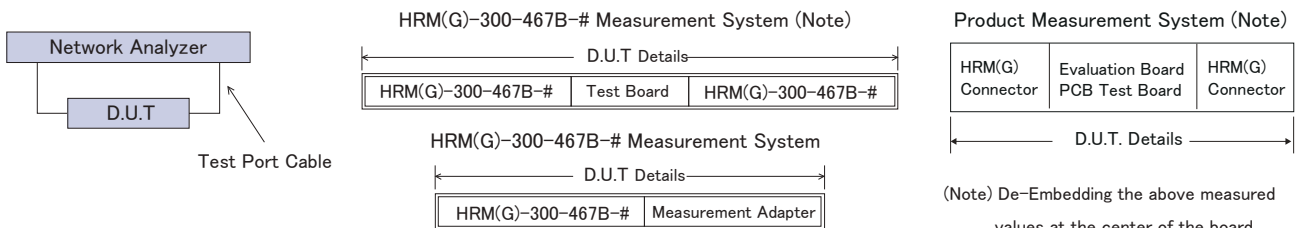
V.S.W.R. (Max.)

| 0 to 18GHz | 18 to 20GHz | 20 to 28GHz |
|------------|-------------|-------------|
| 1.4 | 1.5 | 1.7 |

◆ Frequency Characteristics (TYPICAL)



*Connector+Board Line : 12.5mm



(Note) HRM(G)-300-467B-# were mounted to a 50Ω glass epoxy board and measurements were conducted.

Material

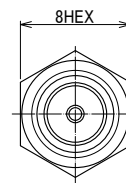
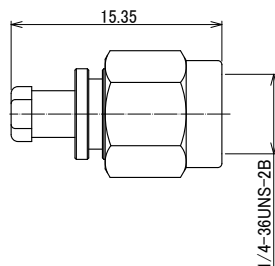
● HRM(G)-300-467B-#, HRM(G)-300-468B-#

| Part | Component | Material |
|----------------|------------------|--------------|
| R Shell | Brass | Gold Plating |
| Insulator | PTFE | - |
| Female Contact | Beryllium Copper | Gold Plating |

Plug for Micro-Coaxial Cable (Frequency up to 12GHz)

Plugs can be ordered only as terminated cable assemblies.

● Straight Plug

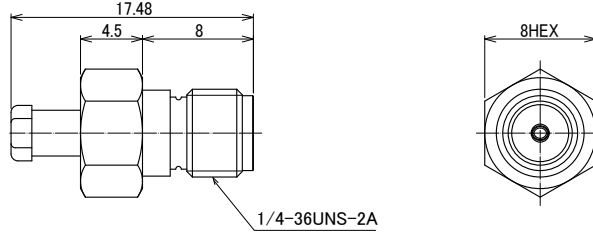


| Part No. | HRS No. | Applicable Cable |
|-------------------|------------------|------------------|
| HRM(G)-200-040PBN | CL0323-0913-0-00 | φ 0.81 |
| HRM(G)-200-066PBN | CL0323-0914-0-00 | φ 1.13, φ 1.32 |
| HRM(G)-200-088PBN | CL0323-0941-0-00 | φ 1.37, φ 1.48 |

Jack for Micro-Coaxial Cable (Frequency up to 12GHz)

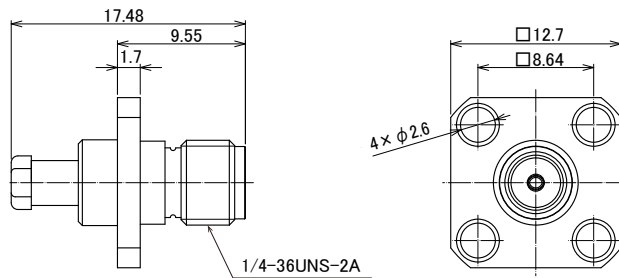
Jacks can be ordered only as terminated cable assemblies.

● Straight Jack



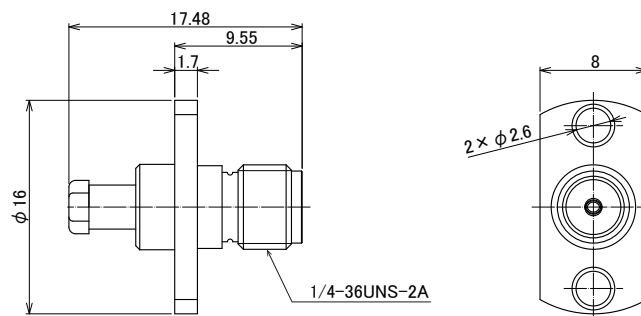
| Part No. | HRS No. | Applicable Cable |
|-------------------|------------------|------------------|
| HRM(G)-200-040JBN | CL0323-0958-0-00 | φ 0.81 |
| HRM(G)-200-066JBN | CL0323-0959-0-00 | φ 1.13, φ 1.32 |
| HRM(G)-200-088JBN | CL0323-0960-0-00 | φ 1.37, φ 1.48 |

● Panel Jack (4 Screws Type)



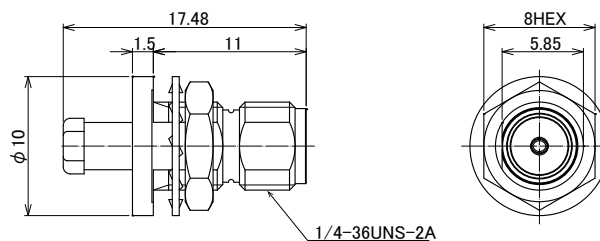
| Part No. | HRS No. | Applicable Cable |
|---------------------|------------------|------------------|
| HRM(G)-200-040PJ4BN | CL0323-0964-0-00 | φ 0.81 |
| HRM(G)-200-066PJ4BN | CL0323-0965-0-00 | φ 1.13, φ 1.32 |
| HRM(G)-200-088PJ4BN | CL0323-0966-0-00 | φ 1.37, φ 1.48 |

●Panel Jack (2 Screws Type)



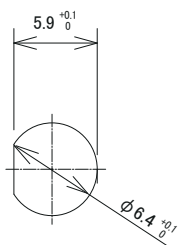
| Part No. | HRS No. | Applicable Cable |
|---------------------|------------------|------------------------|
| HRM(G)-200-040PJ2BN | CL0323-0961-0-00 | $\phi 0.81$ |
| HRM(G)-200-066PJ2BN | CL0323-0962-0-00 | $\phi 1.13, \phi 1.32$ |
| HRM(G)-200-088PJ2BN | CL0323-0963-0-00 | $\phi 1.37, \phi 1.48$ |

●Panel Jack (Nut Type)



| Part No. | HRS No. | Applicable Cable |
|---------------------|------------------|------------------------|
| HRM(G)-200-040BPJBN | CL0323-0967-0-00 | $\phi 0.81$ |
| HRM(G)-200-066BPJBN | CL0323-0968-0-00 | $\phi 1.13, \phi 1.32$ |
| HRM(G)-200-088BPJBN | CL0323-0969-0-00 | $\phi 1.37, \phi 1.48$ |

Mounting Hole Dimension



While Taking into Consideration

Specifications mentioned in this catalog are reference values.

When considering to order or use this product, please review the Drawing and Product Specifications sheets.

Use an appropriate cable when using the connector in combination with cables.

If considering usage of a non-specified cable, please contact your sales representative.

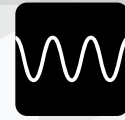
If assembly process is done by jigs & tools which are not identified by Hirose, the warranty of the product may be affected.

If considering usage for below mentioned applications, please contact your sales representative.

In cases where the application will demand a high level of reliability, such as automotive, medical instruments, public infrastructure, aerospace/defense etc. Hirose must review before assurance of reliability can be given.

SMA(R) Series

26.5GHz Compatible RP-SMA Coaxial Connector



RF



MIL Standard



Wide Variation



Apr. 1. 2026 Copyright 2026 HIROSE ELECTRIC CO., LTD. All Rights Reserved.



Product Page
[https://www.hirose.com/en/product/series/SMA\(R\)](https://www.hirose.com/en/product/series/SMA(R))

Sep. 2025

Features

1. Excellent High Frequency Characteristics

The same performance as our company HRM Series, the first SMA connector made in Japan. Complies with FCC standard (Part 15 47 CFR 15. 203 *).

2. Small, Light and Robust

3. Variations

Various conversion adapters such as SMA and FL are available. Compatible with cable assembly products with FL series.

Applications

Wi-Fi devices, gaming devices, measuring device, and device-to-device connections requiring special interfaces

Product Specifications

| | | | |
|----------------------------------|--------------|-----------------------------|---------------|
| Nominal Characteristic Impedance | 50 Ω | Operating Temperature | -55 to +105°C |
| Rated Frequency | 0 to 26.5GHz | Operating Relative Humidity | 95% Max. |

| Items | Specifications | Conditions |
|-----------------------|--|--|
| Contact Resistance | <ul style="list-style-type: none"> ● SMA(R)-300-126B Center: 6m Ω Max. External: 6m Ω Max. | Measured at 100mA Max. |
| | <ul style="list-style-type: none"> ● HRMJ-SMA(R)P Center: 8m Ω Max. External: 8m Ω Max. | |
| Withstand Voltage | No breakdown | 1000V AC for 1 min. |
| Insulation Resistance | 5000M Ω Min. | Measured at 500V DC |
| Moisture Resistance | <ul style="list-style-type: none"> ● SMA(R)-300-126B Insulation Resistance: 100M Ω Min. (in a high humidity environment) Insulation Resistance: 5000M Ω Min. (in a dry environment) | Left for 10 cycles (240 hours) in an environment with the temperature ranging from +25 to +65°C and the humidity ranging from 90 to 98%. |
| | <ul style="list-style-type: none"> ● HRMJ-SMA(R)P Insulation Resistance: 100M Ω Min. (in a high humidity environment) Insulation Resistance: 1000M Ω Min. (in a dry environment) | |
| Temperature Cycle | No broken, cracked, or loose parts | 5 cycles of the following test series condition: Temperature: -65 to +125°C Time: 30 min. → 30 min. |
| Salt Spray | <ul style="list-style-type: none"> ● SMA(R)-300-126B V.S.W.R. 1.3 Max. (including PCB) (0 to 3GHz) V.S.W.R. 1.5 Max. (including PCB) (3 to 6GHz) | Left for 48 hour cycle in 5% salt water solution |
| | <ul style="list-style-type: none"> ● HRMJ-SMA(R)P V.S.W.R. 1.4 Max. (0 to 26.5GHz) | |
| Mating Cycles | <ul style="list-style-type: none"> ● SMA(R)-300-126B Contact resistance Center: 8m Ω Max. External: 8m Ω Max. | 500 cycles |
| | <ul style="list-style-type: none"> ● HRMJ-SMA(R)P Contact resistance Center: 12m Ω Max. External: 12m Ω Max. | 1000 cycles |
| V.S.W.R. | <ul style="list-style-type: none"> ● SMA(R)-300-126B V.S.W.R. 1.3 Max. (including PCB) (0 to 3GHz) V.S.W.R. 1.5 Max. (including PCB) (3 to 6GHz) | |
| | <ul style="list-style-type: none"> ● HRMJ-SMA(R)P V.S.W.R. 1.25 Max. (0 to 12.4GHz) V.S.W.R. 1.3 Max. (12.4 to 18GHz) V.S.W.R. 1.4 Max. (18 to 26.5GHz) | |

Materials / Finish

| Part | Materials | Finish |
|--------------------------------|------------------|-------------------------|
| Shell (Receptacle, etc.) | Brass | Gold Plated |
| Shell (Plug, Shell body, etc.) | Stainless Steel | Gold Plated, Passivated |
| Male Center Contact | Brass | Gold Plated |
| Female Center Contact | Beryllium Copper | Gold Plated |
| Insulator | PTFE Resin | — |

Product Number Structure

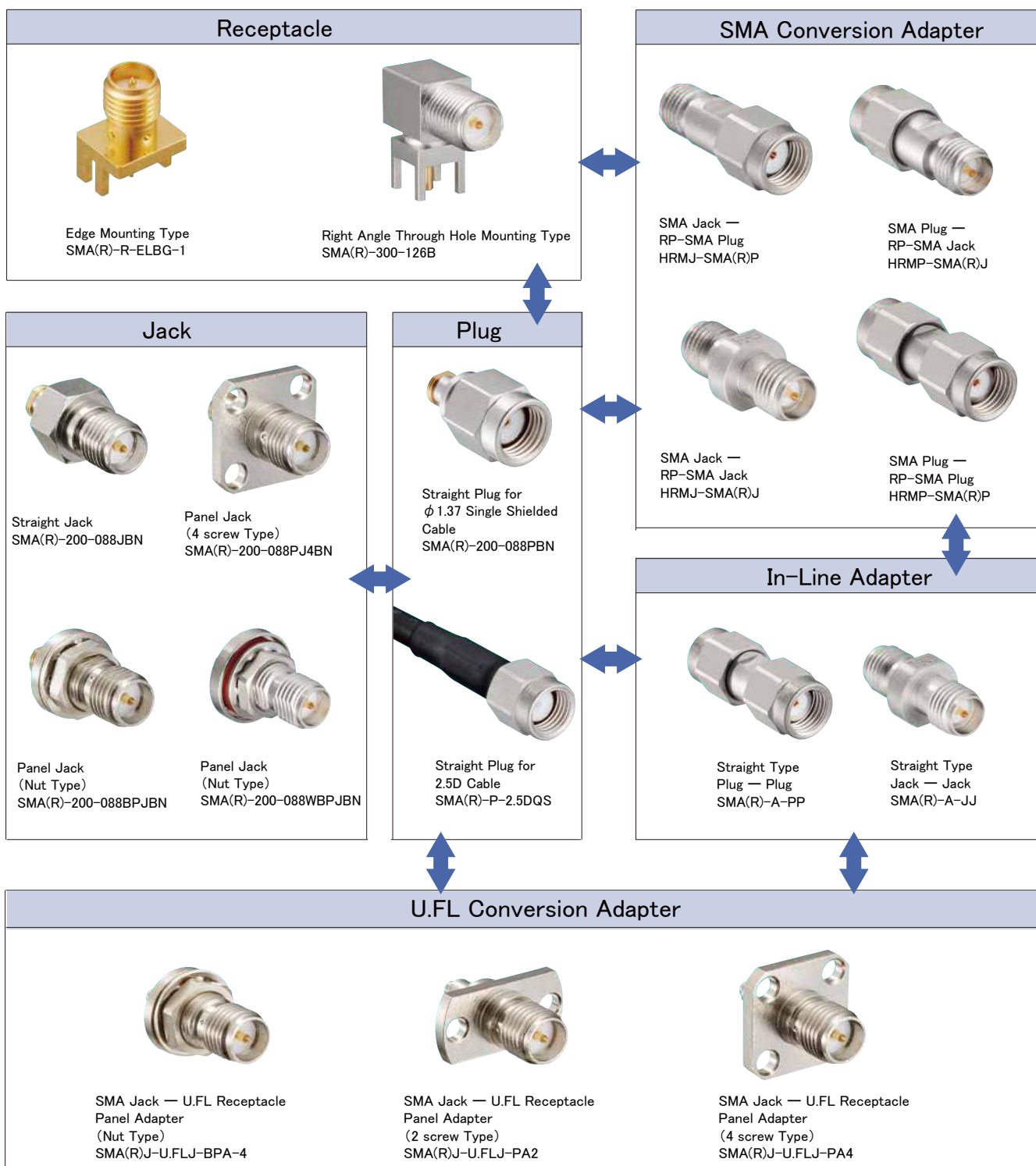
Refer to the chart below when determining the product specifications from the product number. Please select from the product numbers listed in this catalog when placing orders.

SMA(R) - [] - [] - [] - []

①
②
③
④
⑤

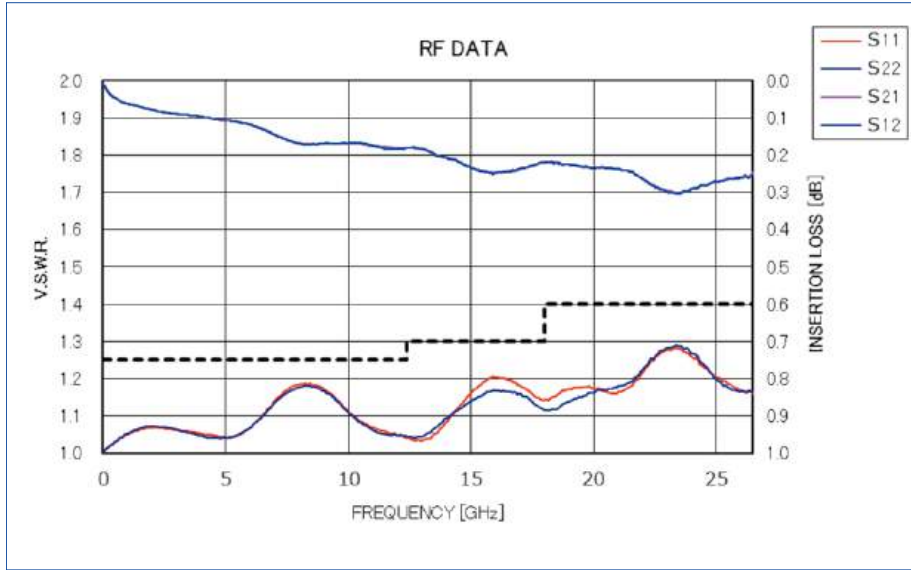
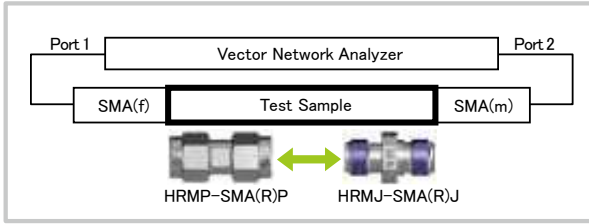
| | | | |
|-------------------------------------|--|---|-------------------------------|
| ① Series Name | Plug, Receptacle: SMA(R) Adapter or Cable Assembly to HRM Connector: HRM Other Adapter, Cable Assembly: SMA(R), SMAR | ④ Cable Length Identification Code | Cable Assembly: A |
| ② Connector Type | Plug, Receptacle 200: Flexible Cable 300: Receptacle Adapter or Cable Assembly to connect to HRM: SMA(R), SMAR Other Adapter, Cable Assembly: U.FL / BPJ | ⑤ Cable Length | Cable Assembly: 1 to 3 digits |
| ③ Serial Number / Cable Type | Plug, Receptacle: 1 to 3 digits Cable Assembly: 066 / 088 | | |

Functional Diagram



Frequency Characteristics (Typical Example)

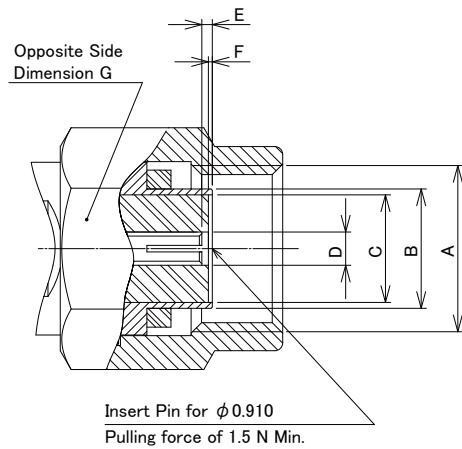
Straight Adapters, the combination of SMA Plug - RP-SMA Plug and SMA Jack - RP-SMA Jack



Dimensions of Mated Portion

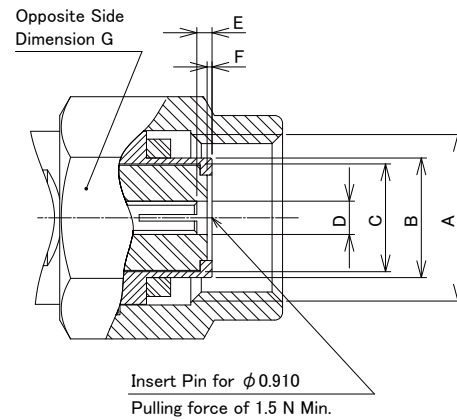
Plug Joints

Shape 1



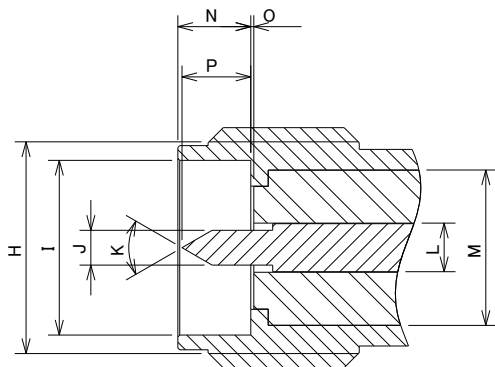
| Symbol | Dimension Value |
|--------|-----------------|
| A | 1/4-36UNS-2B |
| B | $\phi 4.56$ |
| C | $\phi 4.11$ |
| D | $\phi 1.27$ |
| E | 0.13 |
| F | 0.08 |
| G | 8 |

Shape 2



| Symbol | Dimension Value |
|--------|-----------------|
| A | 1/4-36UNS-2B |
| B | $\phi 4.56$ |
| C | $\phi 4.11$ |
| D | $\phi 1.27$ |
| E | 0.58 |
| F | 0.08 |
| G | 8 |

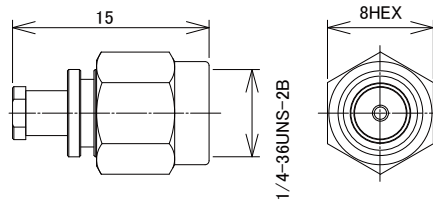
Jack Joint



| Symbol | Dimension Value |
|--------|-----------------|
| H | 1/4-36UNS-2A |
| I | $\phi 4.62$ |
| J | $\phi 0.92$ |
| K | 60° |
| L | $\phi 1.27$ |
| M | $\phi 4.11$ |
| N | 1.93 |
| O | 0.08 |
| P | 1.8 |

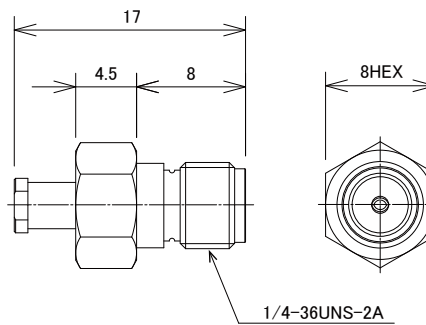
For Micro-Coaxial Cable (Frequency up to 8GHz)

● Straight Plug



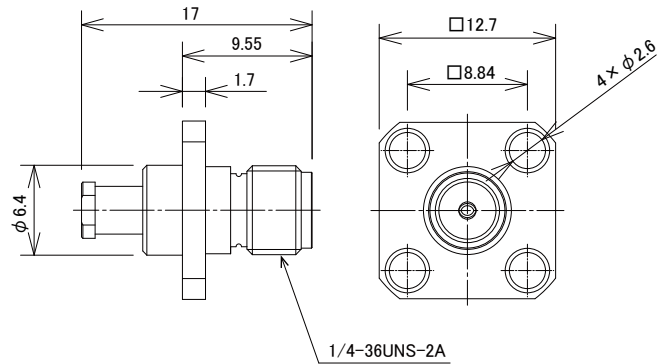
| Part No. | HRS No. | Applicable Cable | Purchase Unit |
|-------------------|------------------|------------------|---------------|
| SMA(R)-200-040PBN | CL0323-0925-0-00 | φ 0.81 | 20pcs per bag |
| SMA(R)-200-066PBN | CL0323-0930-0-00 | φ 1.13, φ 1.32 | |
| SMA(R)-200-088PBN | CL0323-0905-3-00 | φ 1.37, φ 1.48 | |

● Straight Jack



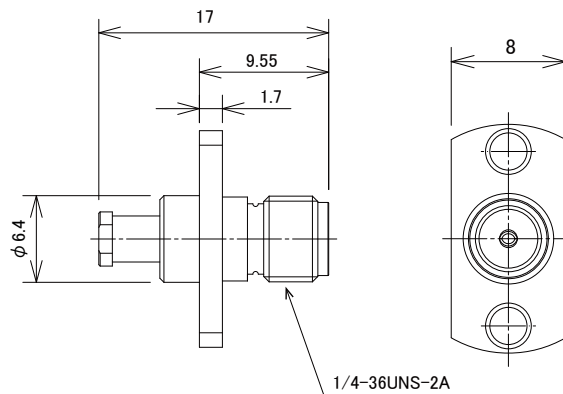
| Part No. | HRS No. | Applicable Cable | Purchase Unit |
|-------------------|------------------|------------------|---------------|
| SMA(R)-200-040JBN | CL0323-0926-3-00 | φ 0.81 | 20pcs per bag |
| SMA(R)-200-066JBN | CL0323-0931-3-00 | φ 1.13, φ 1.32 | |
| SMA(R)-200-088JBN | CL0323-0904-0-00 | φ 1.37, φ 1.48 | |

●Panel Jack (4 screw Type)



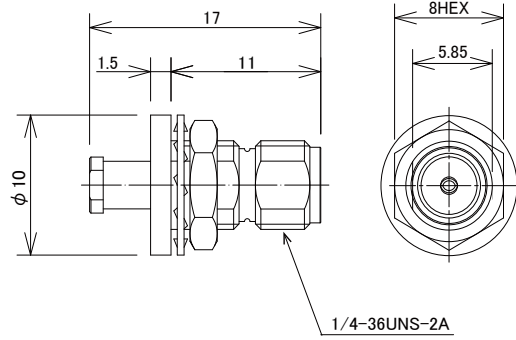
| Part No. | HRS No. | Applicable Cable | Purchase Unit |
|---------------------|------------------|--------------------------|---------------|
| SMA(R)-200-040PJ4BN | CL0323-0928-9-00 | ϕ 0.81 | 20pcs per bag |
| SMA(R)-200-066PJ4BN | CL0323-0932-6-00 | ϕ 1.13, ϕ 1.32 | |
| SMA(R)-200-088PJ4BN | CL0323-0934-1-00 | ϕ 1.37, ϕ 1.48 | |

●Panel Jack (2 screw Type)



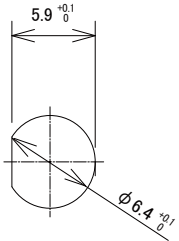
| Part No. | HRS No. | Applicable Cable | Purchase Unit |
|---------------------|------------------|--------------------------|---------------|
| SMA(R)-200-040PJ2BN | CL0323-0929-1-00 | ϕ 0.81 | 20pcs per bag |
| SMA(R)-200-066PJ2BN | CL0323-0933-9-00 | ϕ 1.13, ϕ 1.32 | |
| SMA(R)-200-088PJ2BN | CL0323-0935-4-00 | ϕ 1.37, ϕ 1.48 | |

●Panel Jack
(Nut Type)

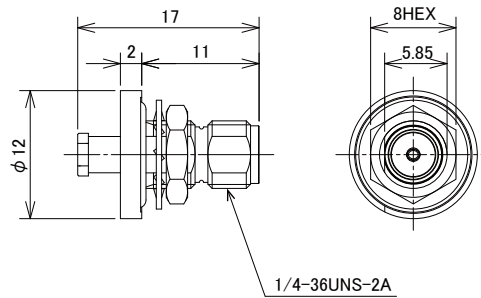


| Part No. | HRS No. | Applicable Cable | Purchase Unit |
|---------------------|------------------|------------------|---------------|
| SMA(R)-200-040BPJBN | CL0323-0927-6-00 | φ 0.81 | 20pcs per bag |
| SMA(R)-200-066BPJBN | CL0323-0902-5-00 | φ 1.13, φ 1.32 | |
| SMA(R)-200-088BPJBN | CL0323-0901-2-00 | φ 1.37, φ 1.48 | |

Panel Cut-Out Dimensions

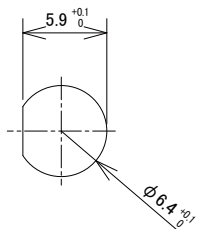


●Panel Jack
(Nut Type, Flange Part Waterproof)



| Part No. | HRS No. | Applicable Cable | Purchase Unit |
|----------------------|------------------|------------------|---------------|
| SMA(R)-200-040WBPJBN | CL0323-0947-3-00 | φ 0.81 | 20pcs per bag |
| SMA(R)-200-066WBPJBN | CL0323-0948-6-00 | φ 1.13, φ 1.32 | |
| SMA(R)-200-088WBPJBN | CL0323-0949-9-00 | φ 1.37, φ 1.48 | |

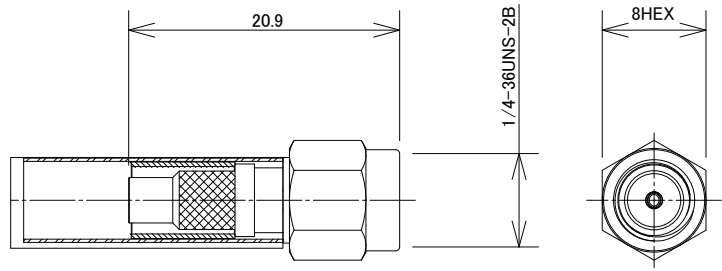
Panel Cut-Out Dimensions



Apr. 1. 2026 Copyright 2026 HIROSE ELECTRIC CO., LTD. All Rights Reserved.

Straight Plug (Frequency up to 6GHz)

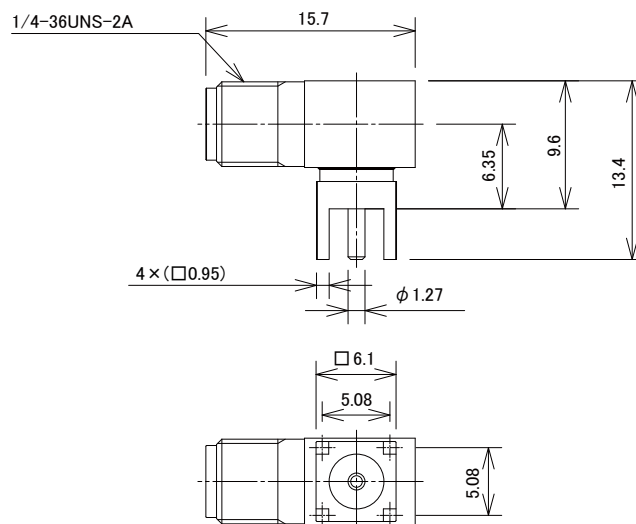
● For Flexible Cables



| Part No. | HRS No. | Applicable Cable | Purchase Unit |
|-----------------|------------------|------------------|---------------|
| SMA(R)-P-2.5DQS | CL0323-0875-4-00 | 2.5D-HQ SUPER | 20pcs per bag |

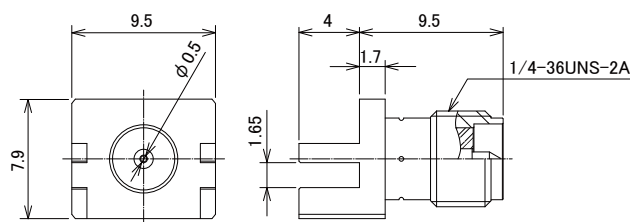
Receptacle (Frequency up to 6GHz)

● Right Angle Receptacle (PCB Mounting Type)



| Part No. | HRS No. | Remarks | Purchase Unit |
|-----------------|------------------|--------------|---------------|
| SMA(R)-300-126B | CL0323-0111-0-00 | Shell: Brass | 20pcs per bag |

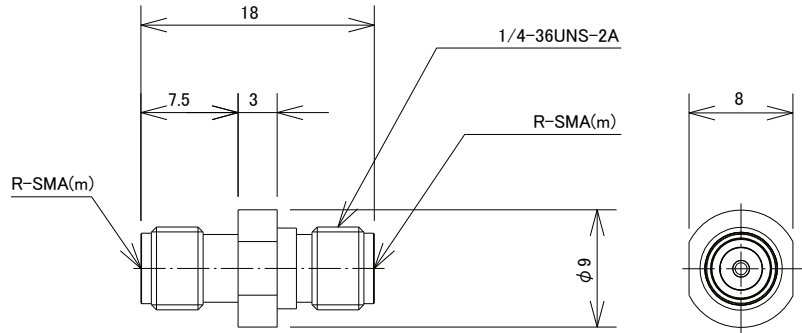
● PCB Clip Type (Frequency up to 3GHz)



| Part No. | HRS No. | Remarks | Purchase Unit |
|-----------------|------------------|----------------------|---------------|
| SMA(R)-R-ELBG-1 | CL0323-0866-3-00 | PCB Thickness: 1.6mm | 20pcs per bag |

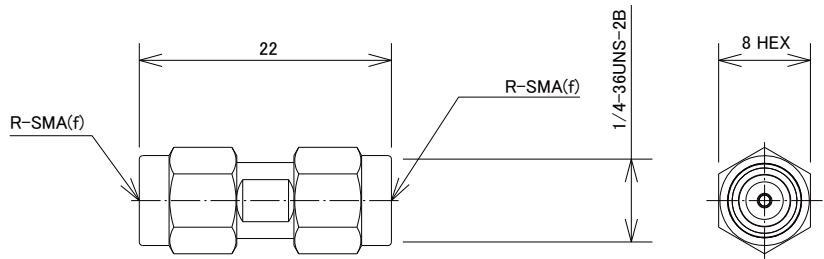
In-Line Adapter

● Jack - Jack



| Part No. | HRS No. | Remarks | Purchase Unit |
|-------------|------------------|------------------------|---------------|
| SMA(R)-A-JJ | CL0323-0124-0-00 | Shell: Stainless Steel | 20pcs per bag |

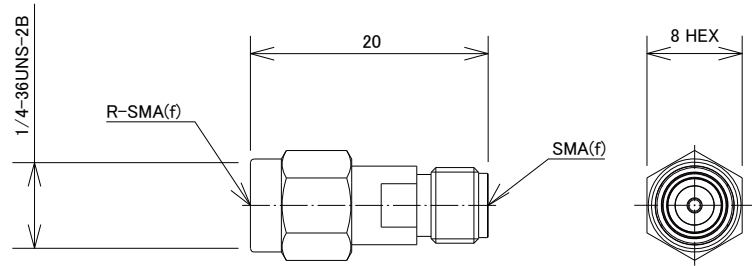
● Plug - Plug



| Part No. | HRS No. | Remarks | Purchase Unit |
|-------------|------------------|------------------------|---------------|
| SMA(R)-A-PP | CL0323-0127-0-00 | Shell: Stainless Steel | 20pcs per bag |

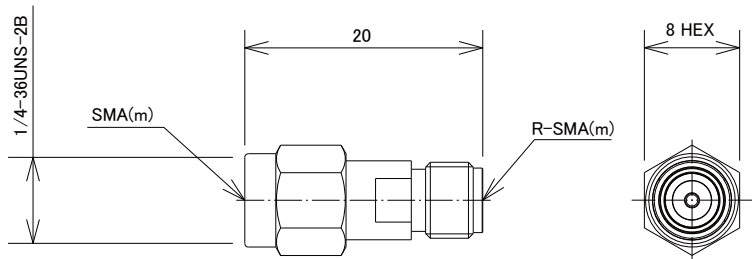
Conversion Adapter

● SMA Conversion Adapter (SMA Jack - RP-SMA Plug)



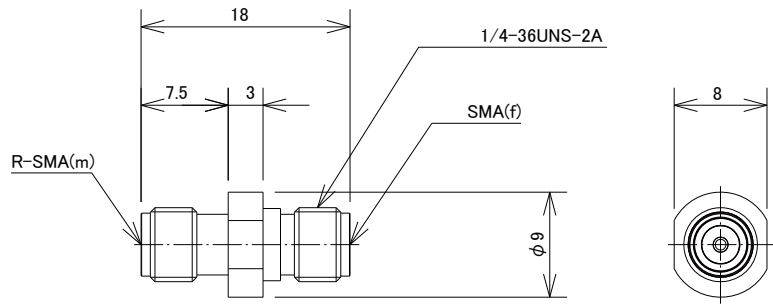
| Part No. | HRS No. | Remarks | Purchase Unit |
|--------------|------------------|------------------------|---------------|
| HRMJ-SMA(R)P | CL0323-0035-0-00 | Shell: Stainless Steel | 20pcs per bag |

● SMA Conversion Adapter (SMA Plug - RP-SMA Jack)



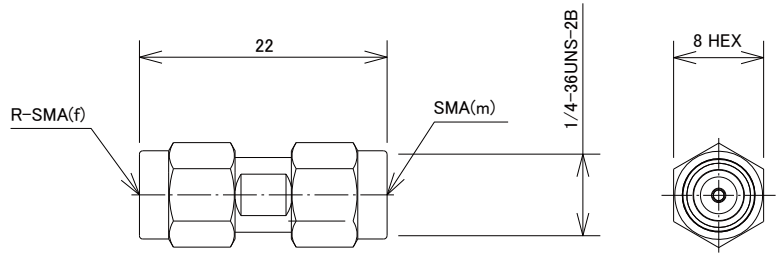
| Part No. | HRS No. | Remarks | Purchase Unit |
|--------------|------------------|------------------------|---------------|
| HRMP-SMA(R)J | CL0323-0036-0-00 | Shell: Stainless Steel | 20pcs per bag |

● SMA Conversion Adapter
(SMA Jack - RP-SMA Jack)



| Part No. | HRS No. | Remarks | Purchase Unit |
|--------------|------------------|------------------------|---------------|
| HRMJ-SMA(R)J | CL0323-0011-0-00 | Shell: Stainless Steel | 20pcs per bag |

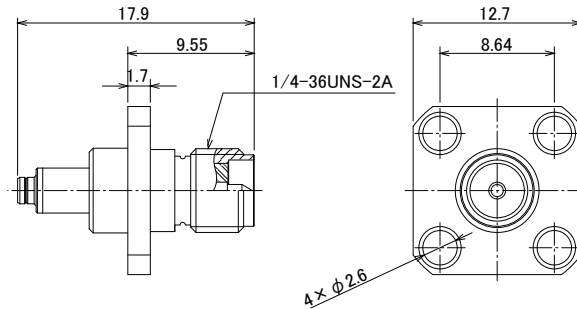
● SMA Conversion Adapter
(SMA Plug - RP-SMA Plug)



| Part No. | HRS No. | Remarks | Purchase Unit |
|--------------|------------------|------------------------|---------------|
| HRMP-SMA(R)P | CL0323-0009-0-00 | Shell: Stainless Steel | 20pcs per bag |

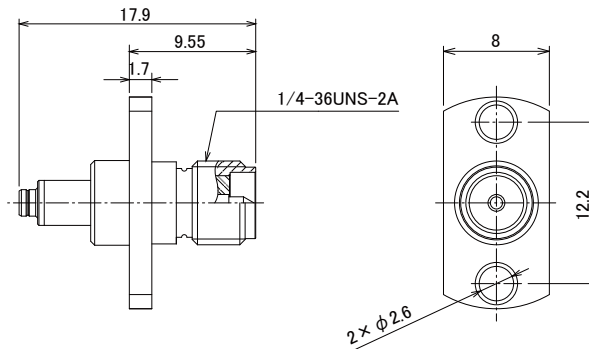
U.FL-R Conversion Adapter (Frequency up to 8GHz)

● Panel Adapter (4 Screw Type)



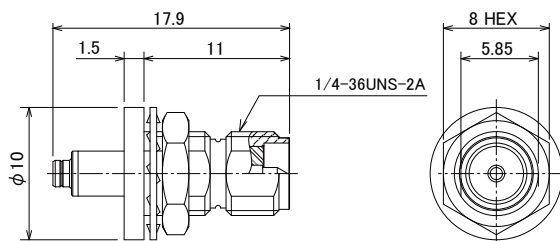
| Part No. | HRS No. | Remarks | Purchase Unit |
|-------------------|------------------|--------------|---------------|
| SMA(R)J-U.FLJ-PA4 | CL0311-0466-5-00 | Shell: Brass | 20pcs per bag |

● Panel Adapter (2 Screw Type)



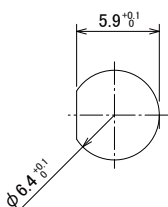
| Part No. | HRS No. | Remarks | Purchase Unit |
|-------------------|------------------|--------------|---------------|
| SMA(R)J-U.FLJ-PA2 | CL0311-0468-0-00 | Shell: Brass | 20pcs per bag |

● Panel Adapter (Nut Type)



| Part No. | HRS No. | Remarks | Purchase Unit |
|---------------------|------------------|--------------|---------------|
| SMA(R)J-U.FLJ-BPA-4 | CL0311-0464-0-00 | Shell: Brass | 20pcs per bag |

Panel Cut-Out Dimensions



Termination Tools

| Type | Part No. | Termination Tools | HRS No. | Overview |
|--|-------------------------|---------------------|------------------|--------------------------|
| Straight Plug (Common to Termination Tools) | SMA(R)-200-040PBN(40) | HRM-200/SO-MD | CL0902-3192-6-00 | External Solder Receiver |
| | SMA(R)-200-066PBN(40) | HRM-200/SO-MD2 | CL0902-3199-5-00 | Center Solder Receiver |
| | SMA(R)-200-088PBN(40) | HRM-200-PBN/CV-MD | CL0902-3198-2-00 | Cord Tube Press-fit |
| Straight Jack (Common to Termination Tools) | SMA(R)-200-040JBN(40) | HRM-200/SO-MD | CL0902-3192-6-00 | External Solder Receiver |
| | SMA(R)-200-066JBN(40) | HRM-200/SO-MD2 | CL0902-3199-5-00 | Center Solder Receiver |
| | SMA(R)-200-088JBN(40) | HRM-200-JBN/CV-MD | CL0902-3195-4-00 | Cord Tube Press-fit |
| Panel Jack, 4 Screw Type (Common to Termination Tools) | SMA(R)-200-040PJ4BN(40) | HRM-200/SO-MD | CL0902-3192-6-00 | External Solder Receiver |
| | SMA(R)-200-066PJ4BN(40) | HRM-200/SO-MD2 | CL0902-3199-5-00 | Center Solder Receiver |
| | SMA(R)-200-088PJ4BN(40) | HRM-200-PJ4BN/CV-MD | CL0902-3197-0-00 | Cord Tube Press-fit |
| Panel Jack, 2 Screw Type (Common to Termination Tools) | SMA(R)-200-040PJ2BN(40) | HRM-200/SO-MD | CL0902-3192-6-00 | External Solder Receiver |
| | SMA(R)-200-066PJ2BN(40) | HRM-200/SO-MD2 | CL0902-3199-5-00 | Center Solder Receiver |
| | SMA(R)-200-088PJ2BN(40) | HRM-200-PJ2BN/CV-MD | CL0902-3196-7-00 | Cord Tube Press-fit |
| Panel Jack, Nut Type (Common to Termination Tools) | SMA(R)-200-040BPJBN(40) | HRM-200/SO-MD | CL0902-3192-6-00 | External Solder Receiver |
| | SMA(R)-200-066BPJBN(40) | HRM-200/SO-MD2 | CL0902-3199-5-00 | Center Solder Receiver |
| | SMA(R)-200-088BPJBN(40) | HRM-200-BPJBN/CV-MD | CL0902-3194-1-00 | Cord Tube Press-fit |
| Panel Jack, Waterproof Nut Type (Common to Termination Tools) | SMA(R)-200-040WBPJBN | HRM-200/SO-MD | CL0902-3192-6-00 | External Solder Receiver |
| | SMA(R)-200-066WBPJBN | HRM-200/SO-MD2 | CL0902-3199-5-00 | Center Solder Receiver |
| | SMA(R)-200-088WBPJBN | HRM-200-BPJBN/CV-MD | CL0902-3194-1-00 | Cord Tube Press-fit |

While Taking into Consideration

Specifications mentioned in this catalog are reference values.

When considering to order or use this product, please review the Drawing and Product Specifications sheets.

Use an appropriate cable when using the connector in combination with cables.

If considering usage of a non-specified cable, please contact your sales representative.

If assembly process is done by jigs & tools which are not identified by Hirose, the warranty of the product may be affected.

If considering usage for below mentioned applications, please contact your sales representative.

In cases where the application will demand a high level of reliability, such as automotive, medical instruments, public infrastructure, aerospace/defense etc. Hirose must review before assurance of reliability can be given.