



**Mallory Sonalert Products, Inc.**

Part #:

**MSE28MWH2**

**Sales Outline Drawing**

Revision:

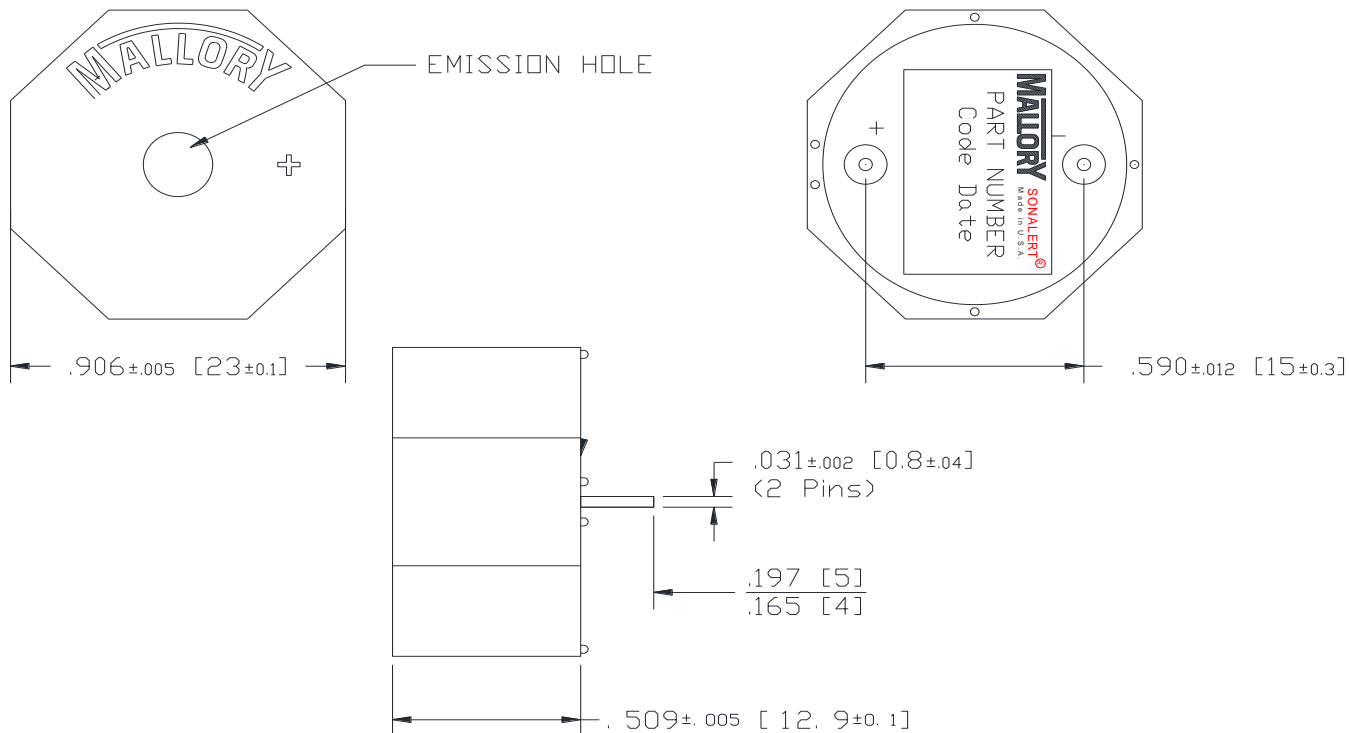
**D**

**Specifications:**

Sound Level Category	Medium
Mode of Operation	Whooping Sweep 2.1 - 5.8 kHz @ 1 Sweeps per Sec.
Voltage Rating	20 to 28 VDC
Frequency	2100-5800 Hz Typical
Loudness @ 1 FT	75 to 85 dB(A) Typ.
Current Draw	50mA MAX
Housing Material	Valox (UL94V-0), Color: Black
Storage Temperature	-40° to +80° C
Operating Temperature	-40° to +65° C
Weight (Typical)	4.0g
Options	Please contact factory.

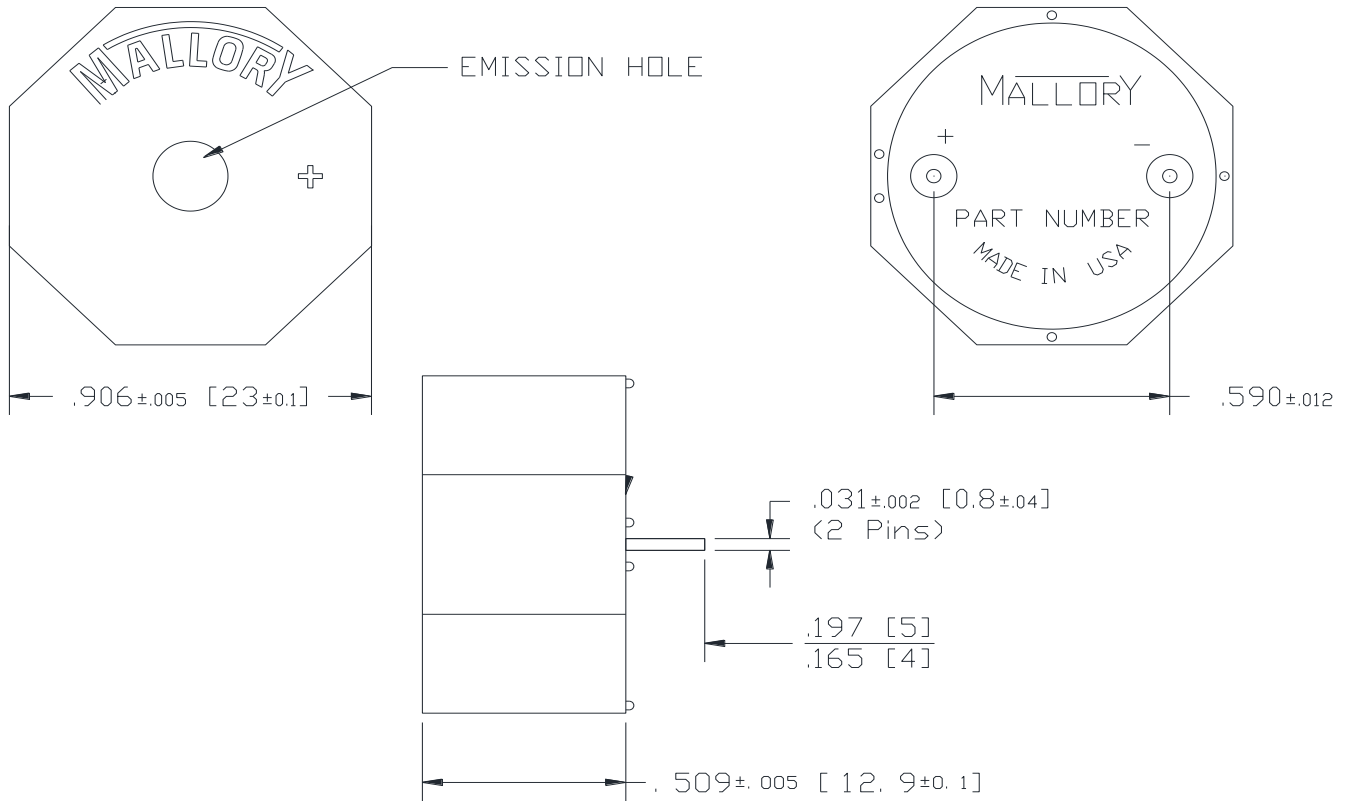
**Dimensions:** Inches (mm)

**ROHS Compliant**



NOTE A:  
TERMINALS - .031" DIA. NICKEL/TIN COATED BRASS.

NOTE B:  
MOUNTING- INSERT INTO PRINTED CIRCUIT BOARD AND HAND OR MACHINE SOLDER.  
UNITS ARE SUITABLE FOR WAVE SOLDERING. RECOMMENDED MAXIMUM TEMPERATURE  
AND TIME DURATION FOR WAVE SOLDERING IS +270°C AND 3 SECONDS RESPECTIVELY.



NOTE A:  
TERMINALS - .031" DIA. NICKEL/TIN COATED BRASS.

NOTE B:  
MOUNTING- INSERT INTO PRINTED CIRCUIT BOARD AND HAND OR MACHINE SOLDE  
UNITS ARE SUITABLE FOR WAVE SOLDERING. RECOMMENDED MAXIMUM TEMPERAT  
AND TIME DURATION FOR WAVE SOLDERING IS +270°C AND 3 SECONDS RESPECT

[15±0.3]

R.  
URE  
IVELY.