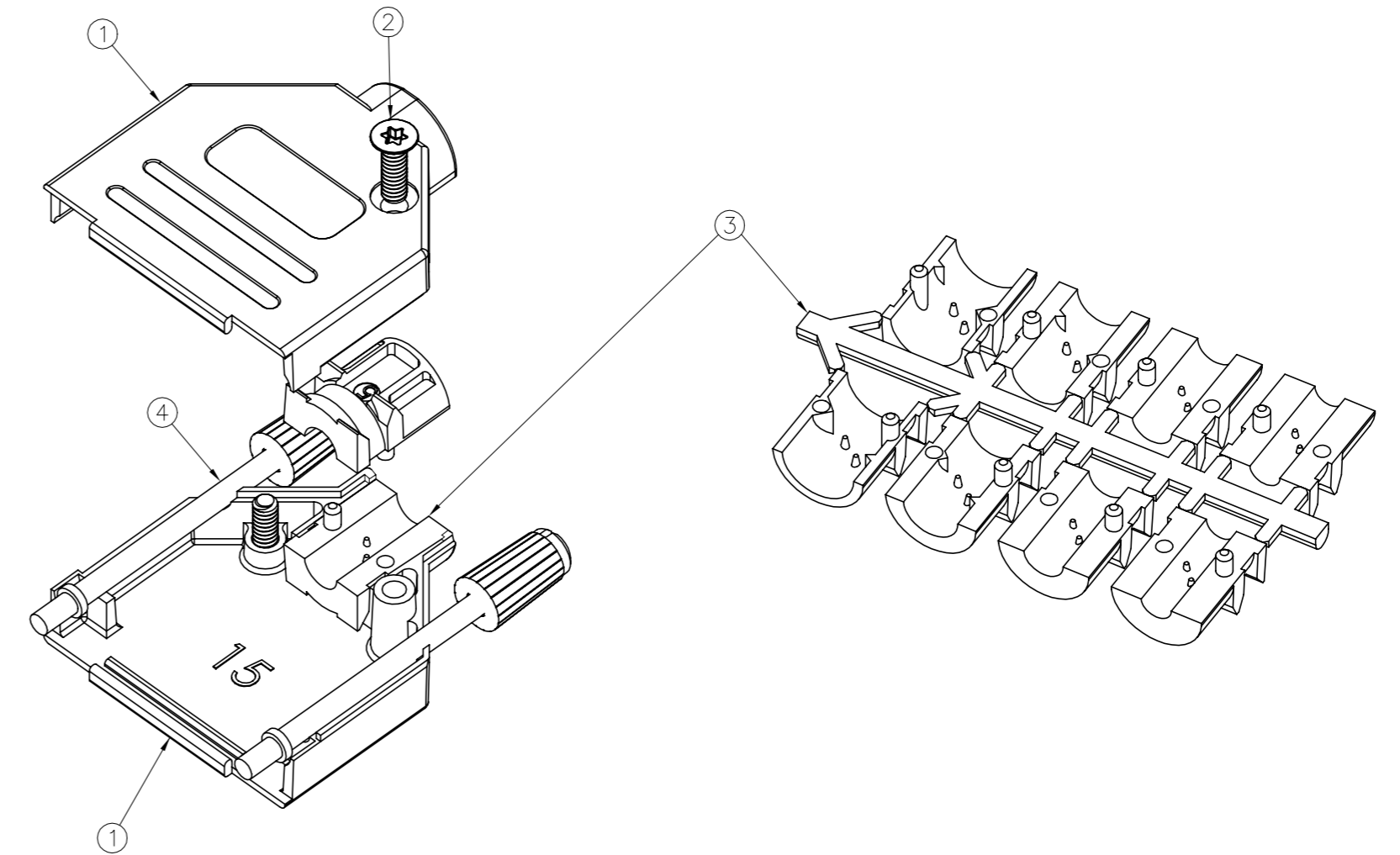
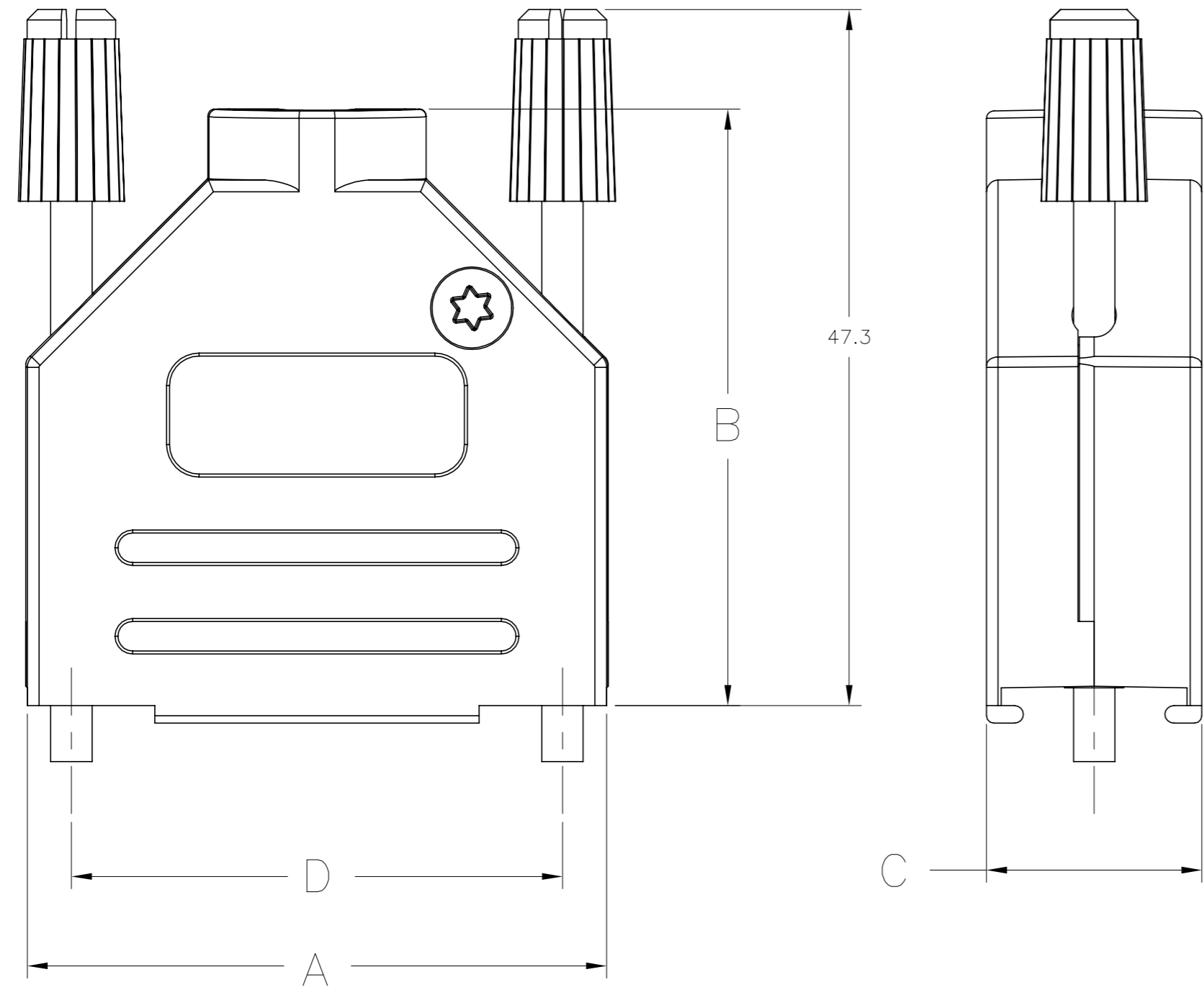


REVISIONS					
P	LTR	DESCRIPTION	DATE	DWN	APVD
	N1	REVISED PER ECN-22-183424	14NOV2022	PT	SZ



1. FOR ASSEMBLY DETAILS, REFER TO LEAFLET 2227518-1.
2. BULK PACKAGED BACKSHELL ASSEMBLIES:
ITEM 1, 200 BACKSHELL HALVES, LOOSE IN BOX. ITEMS 2 THRU 4, 100 TIMES QTY SHOWN IN TABLE IN 1 BAG FOR EACH ITEM. ALL BAGS IN 1 BOX WITH (1) 2227518-1 LEAFLET.
3. INDIVIDUALLY PACKAGED SHELL ASSEMBLIES:
1 BAG CONTAINS ALL COMPONENTS FOR 1 COMPLETE ASSEMBLY. 100 BAGS PER BOX, (1) 2227518-1 LEAFLET PER BOX.
4. TERMINATES 4.0-13.0 CABLE DIAMETERS.
5. 15 POSITION SHOWN.
6. TRIVALENT CHROMIUM CHROMATE COATING OVER ZINC PLATING.
7. OPTIONAL CABLE CRIMP KIT AVAILABLE FOR 6.0-9.5 DIAMETER CABLE. SEE 1478764.

PACKAGING	D	C	B	A	SELF TAPPING FIXING SCREW TYPE	JACKSCREW THREAD	SHELL SIZE	POSITION	PART NUMBER
	47.0	14.6	47.3	53.2	POZIDRIV	M3	3	25 WAY	6-1478762-7
	33.3	14.6	40.5	39.5	POZIDRIV	M3	2	15 WAY	6-1478762-6
OBSOLETE	25.0	14.6	38.3	31.0	POZIDRIV	M3	1	9 WAY	6-1478762-5
	63.5	15.0	52.2	69.7	TORX	4-40 UNC	4	37 WAY	5-1478762-4
	47.0	14.6	47.3	53.2	TORX	4-40 UNC	3	25 WAY	5-1478762-3
	33.3	14.6	40.5	39.5	TORX	4-40 UNC	2	15 WAY	5-1478762-2
	25.0	14.6	38.3	31.0	TORX	4-40 UNC	1	9 WAY	5-1478762-1
	63.5	15.0	52.2	69.7	TORX	4-40 UNC	4	37 WAY	3-1478762-7
	47.0	14.6	47.3	53.2	TORX	4-40 UNC	3	25 WAY	2-1478762-5
	33.3	14.6	40.5	39.5	TORX	4-40 UNC	2	15 WAY	1-1478762-5
	25.0	14.6	38.3	31.0	TORX	4-40 UNC	1	9 WAY	1478762-9

ITEM	DESCRIPTION	MATERIAL	FINISH	QTY
4	JACKSCREW ASSEMBLY, 4-40	POLYAMIDE, UL94 V2 KNOB CARBON STEEL SHAFT	BLACK 6	2
3	STRAIN RELIEF SET	POLYCARBONATE UL94 V0	BLACK	1
2	SELF TAPPING FIXING SCREW	CARBON STEEL	6	2
1	BACKSHELL HALF	ZINC	NICKEL	2
ITEM	DESCRIPTION	MATERIAL	FINISH	QTY

THIS DRAWING IS A CONTROLLED DOCUMENT. DIMENSIONING AND TOLERANCING PER ASME Y14.5M-2009

DIMENSIONS: mm

TOLERANCES UNLESS OTHERWISE SPECIFIED:
 0 PLC ± 0.5
 1 PLC ± 0.5
 2 PLC ± 0.5
 3 PLC ± 0.5
 4 PLC ± 0.5
 ANGLES ± 0.5°

MATERIAL: SEE TABLE

FINISH: -

DWN: C. VALENTINE 03JAN2012
 CHK: C. ROHDE 03JAN2012
 APVD: C. ROHDE 03JAN2012

NAME: ADK SERIES DIE-CAST BACKSHELL, STRAIGHT ENTRY

SIZE: A2 CAGE CODE: 00779 DRAWING NO: C=1478762 RESTRICTED TO: -

WEIGHT: 0.000000 SCALE: NTS SHEET: 1 of 1 REV: N1

CUSTOMER DRAWING