

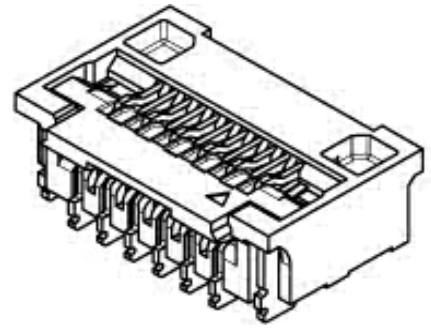
**Part Number :** [5033204160](#)

**Product Description :** 0.25mm Pitch Easy-On FPC Connector, 1.65mm Mated Height, Right-Angle, Surface Mount, Bottom Contact Style, 41 Circuits

**Series Number :** 503320

**Status :** Obsolete

**Product Category :** FFC / FPC Connectors



---

## Documents and Resources

### Drawings

[5033204160\\_sd.pdf](#)


### Specifications

[PS-503320-001-001.pdf](#)

---

## Product Environment Compliance

### Compliance

GADSL/IMDS	Compliant with Exemption 44; 33
China RoHS	 per SJ/T 11365-2006
EU ELV	Not Relevant
Low-Halogen Status	Low-Halogen per IEC 61249-2-21
REACH SVHC	Not Contained per D(2025)7771-DC (04 Feb 2026)
EU RoHS	Compliant per EU 2015/863

### Compliance Statements

- EU RoHS
- REACH SVHC
- Low-Halogen

### Industry Documents

- IPC 1752A Class C
- IPC 1752A Class D
- Molex Product Compliance Declaration
- IEC-62474
- chemSHERPA (xml)

## Substances of Interest

- PFAS

## EU RoHS Certificate of Compliance

## Additional Product Compliance Information

---

### Part Details

#### General

Status	Obsolete
Category	FFC / FPC Connectors
Series	503320
Description	0.25mm Pitch Easy-On FPC Connector, 1.65mm Mated Height, Right-Angle, Surface Mount, Bottom Contact Style, 41 Circuits
Comments	Black actuator
Product Name	Easy-On
UPC	883906428105

#### Electrical

Current - Maximum per Contact	0.3A
Voltage - Maximum	50V

#### Physical

Actuator Type	Front Flip
Circuits (Loaded)	41
Color - Resin	Beige
Contact Position	Bottom
Durability (mating cycles max)	10
Mated Height	1.65mm
Material - Metal	Copper Alloy
Material - Plating Mating	Gold
Material - Plating Termination	Gold
Net Weight	82.311/mg
Orientation	Right Angle
Packaging Type	Embossed Tape on Reel

PCB Locator	No
PCB Mounting	Surface Mount
PCB Retention	Yes
Pitch - Mating Interface	0.25mm
Polarized to PCB	Yes
Stackable	No
Temperature Range - Operating	-40° to +85°C
Wire/Cable Type	FPC only

---

## Mates With / Use With

### Mates with Part(s)

Description	Part Number
0.25mm Pitch Premo-Flex FPC Jumpers	<u>15014</u>

---

This document was generated on Apr 21, 2026

Obsolete