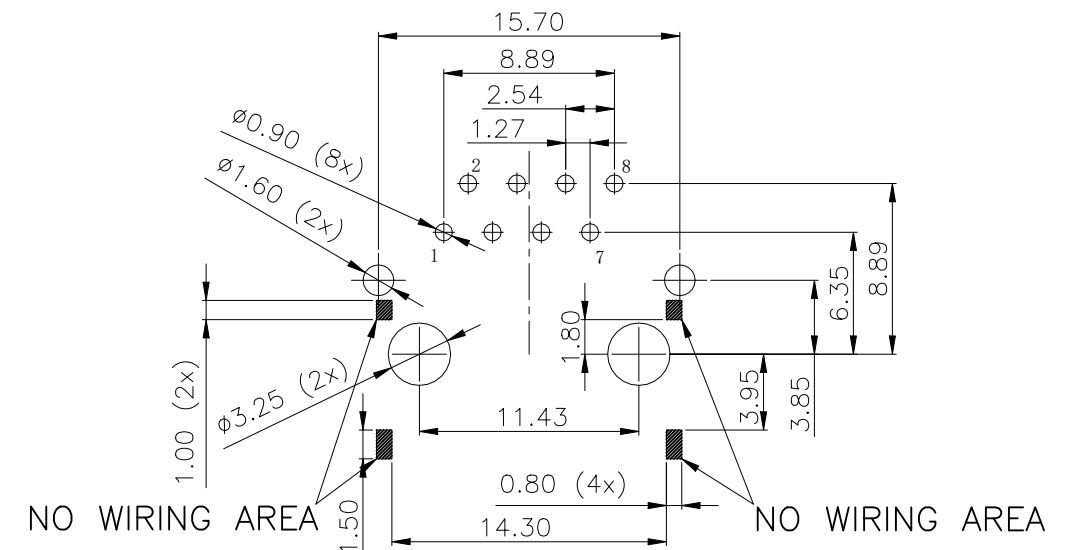
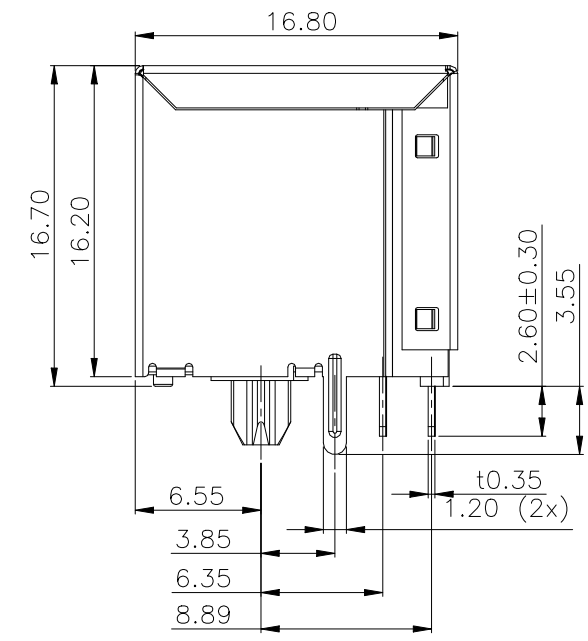
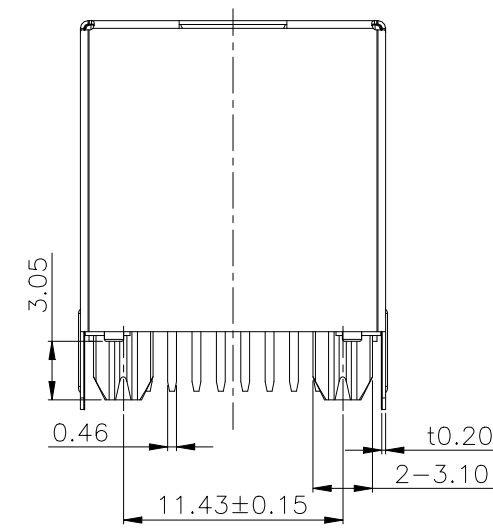
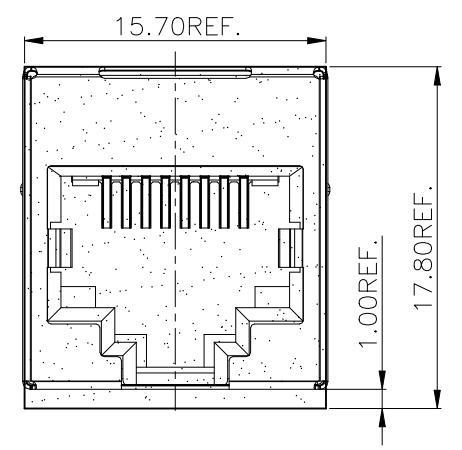
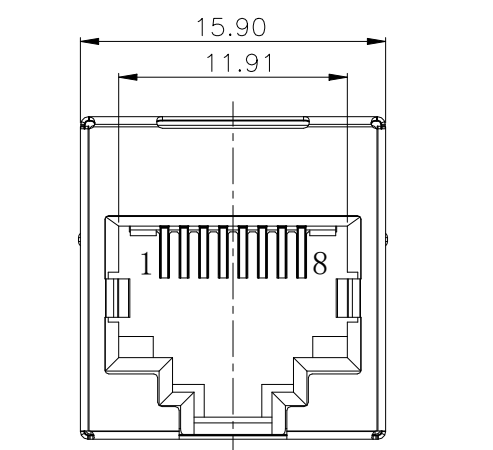


REVISIONS

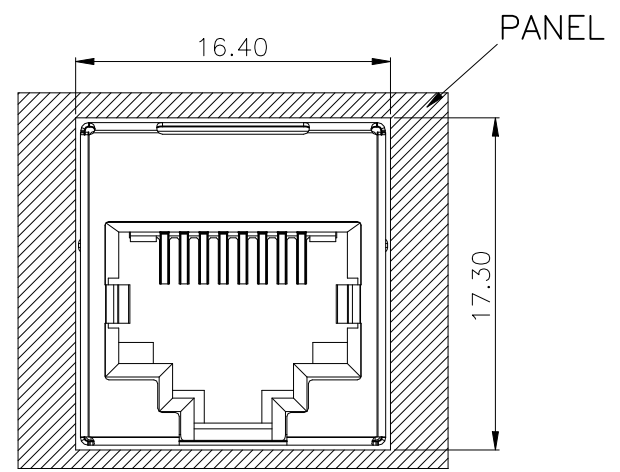
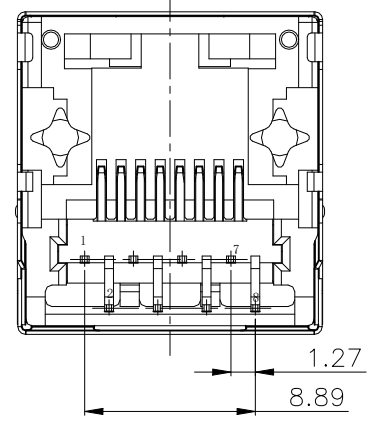
P	LTR	DESCRIPTION	DATE	DWN	APVD
	A1	NEW DRAWING	13NOV2023	ASB	LET



RECOMMENDED PCB LAYOUT TOP VIEW
COMPONENT SIDE TOLERANCE ±0.05

- 1 CONNECTOR MATERIAL:
HOUSING: LCP BLACK UL94V-0
INSERT: LCP BLACK UL94V-0.
SHIELD: COPPER ALLOY
SHIELD PLATING: NICKEL
CONTACT: PHOSPHOR BRONZE
CONTACT PLATING: 30μinch GOLD PLATING ON CONTACT AREA.
50μinch MIN. NICKEL UNDERPLATED OVER ALL.
80μinch MIN. MATTE-TIN ON SOLDER TAIL.

- MYLAR: BROWN
- 2. DURABILITY: 750 CYCLES MIN.
- 3. CONNECTOR MATING, UNMATING FORCE: 30N MAX.
- 4. PLUG RETENTION FORCE: 50N MIN, 60S ± 5S.
- 5. RJ45 CAVITY DIMENSION CONFORM TO FCC PART 68.
- 6. PACKAGING: TRAY ACCORDING TO PACKAGING SPECIFICATION 107-18116
- 7 PROP 65 WARNING LABEL: SEE SHEET 2



RECOMMEND PANEL CUTOUT

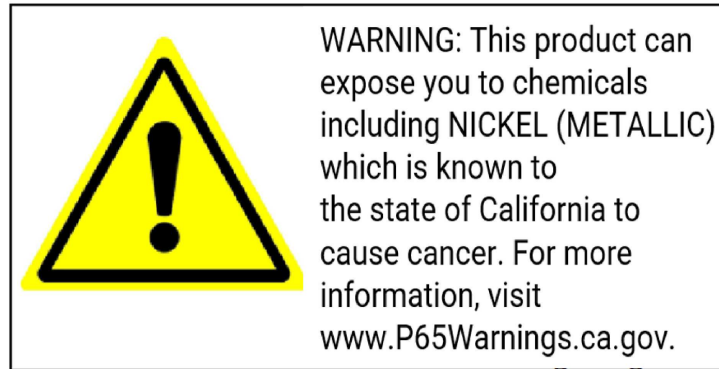
THIS DRAWING IS A CONTROLLED DOCUMENT.		DWN	13NOV2023		STE TE Connectivity
		CHK	15NOV2023		
		APVD	15NOV2023		
		NAME	T LEININGER		
DIMENSIONS: INCHES		TOLERANCES UNLESS OTHERWISE SPECIFIED:		NAME	
		0 PLC ± -		RJ45 JACK THT 1Gb VERT. 1X1	
		1 PLC ± 0.35		-	
		2 PLC ± 0.25		-	
		3 PLC ± 0.15		-	
		4 PLC ± -		-	
		ANGLES ± 2°		-	
MATERIAL		FINISH		SIZE	
1		1		A3	
				CAGE CODE	
				00779	
				DRAWING NO	
				C-2501551-5	
				RESTRICTED TO	
				-	
				WEIGHT	
				5.49g	
				SCALE	
				NTS	
				SHEET	
				1 OF 2	
				REV	
				A1	


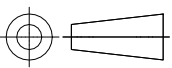
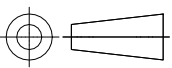
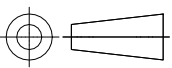
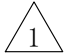
REVISIONS					
P	LTR	DESCRIPTION	DATE	DWN	APVD
	-	SEE SHEET 1	-	-	-

NOTES: CONTINUATION FROM SHEET 1:

7 PROP 65 WARNING LABEL:

- THE WARNING LABEL ON THE PRODUCT OR LOWEST LEVEL PACKAGING
- CHEMICAL NAME: NICKEL (METALLIC)



THIS DRAWING IS A CONTROLLED DOCUMENT.		DWN B S ADRUSH 13NOV2023	 TE Connectivity						
<table border="1"> <tr> <th>DIMENSIONS: INCHES</th> <th>TOLERANCES UNLESS OTHERWISE SPECIFIED:</th> </tr> <tr> <td></td> <td>0 PLC ± - 1 PLC ± 0.35 2 PLC ± 0.25 3 PLC ± 0.15 4 PLC ± - ANGLES ± 2°</td> </tr> </table>		DIMENSIONS: INCHES				TOLERANCES UNLESS OTHERWISE SPECIFIED:		0 PLC ± - 1 PLC ± 0.35 2 PLC ± 0.25 3 PLC ± 0.15 4 PLC ± - ANGLES ± 2°	CHK N MANTIKOU 15NOV2023
DIMENSIONS: INCHES	TOLERANCES UNLESS OTHERWISE SPECIFIED:								
	0 PLC ± - 1 PLC ± 0.35 2 PLC ± 0.25 3 PLC ± 0.15 4 PLC ± - ANGLES ± 2°								
MATERIAL		APVD T LEININGER 15NOV2023	NAME	RESTRICTED TO					
FINISH		PRODUCT SPEC 108-94945	APPLICATION SPEC 114-97854	SIZE A3	CAGE CODE 00779	DRAWING NO C-2501551-5	SCALE NTS	SHEET 2 OF 2	REV A1
		WEIGHT 5.49g		CUSTOMER DRAWING					