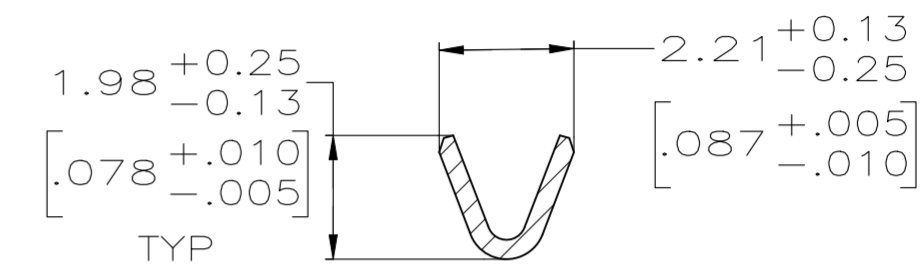
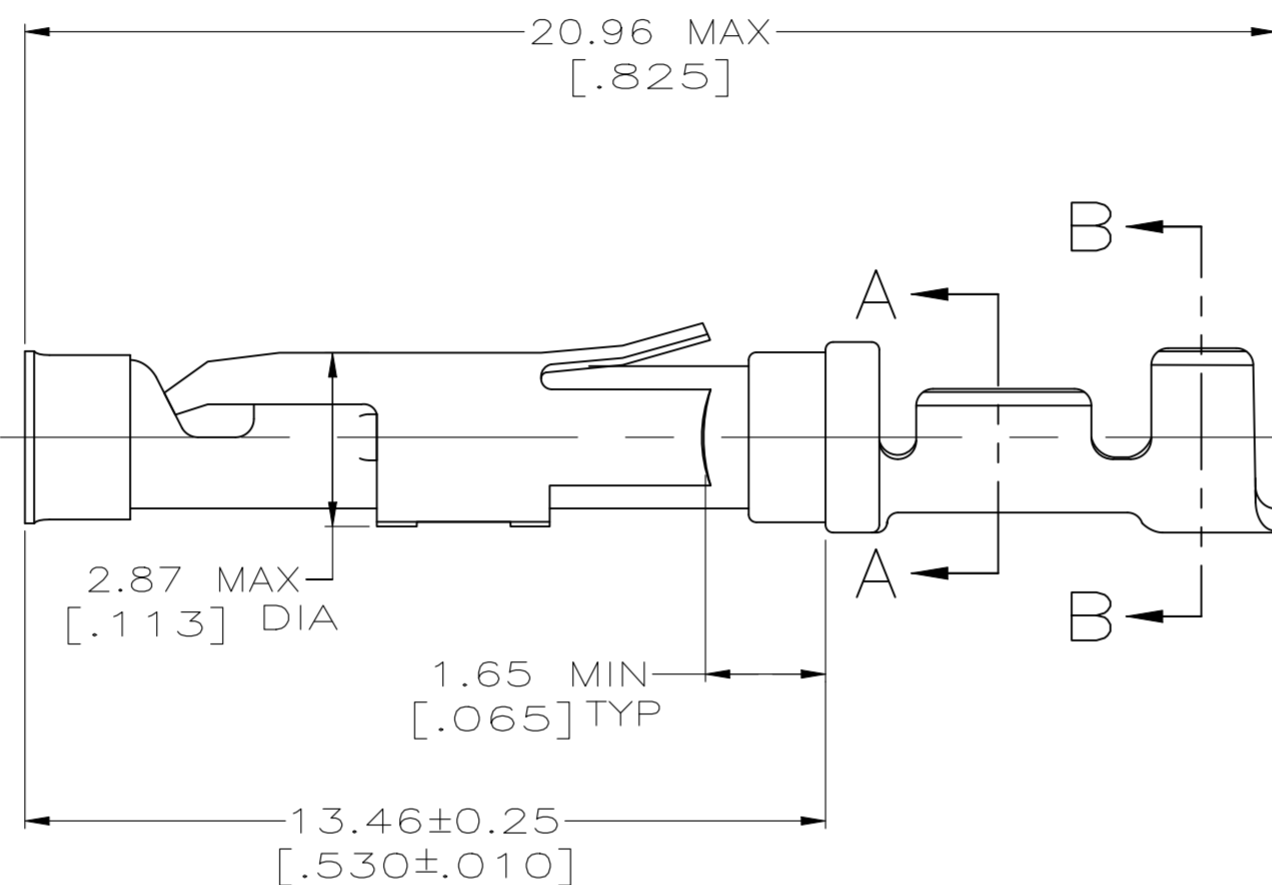
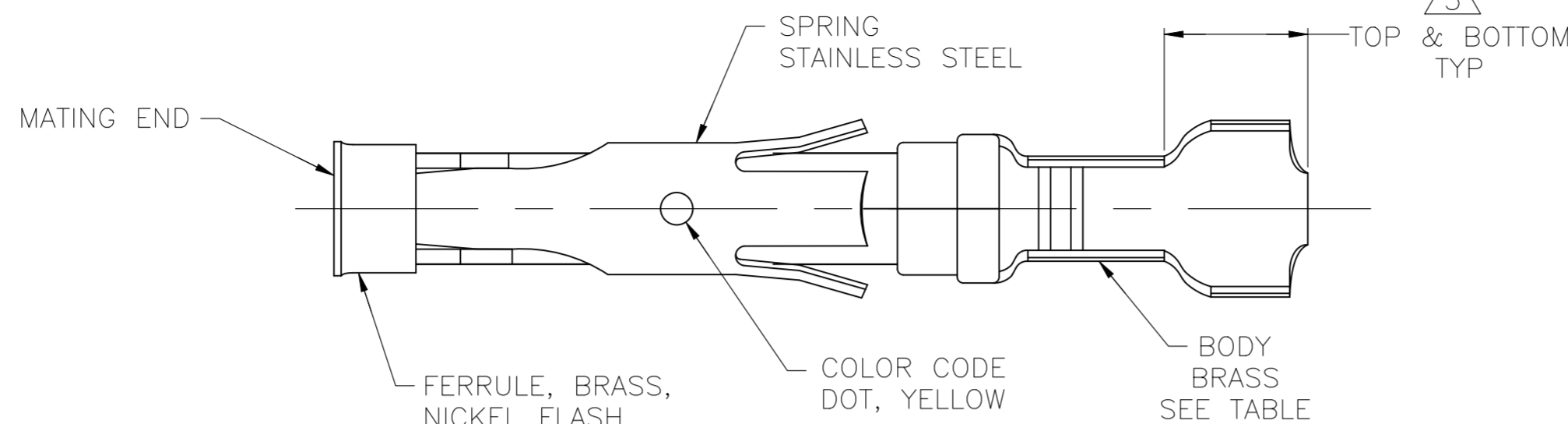
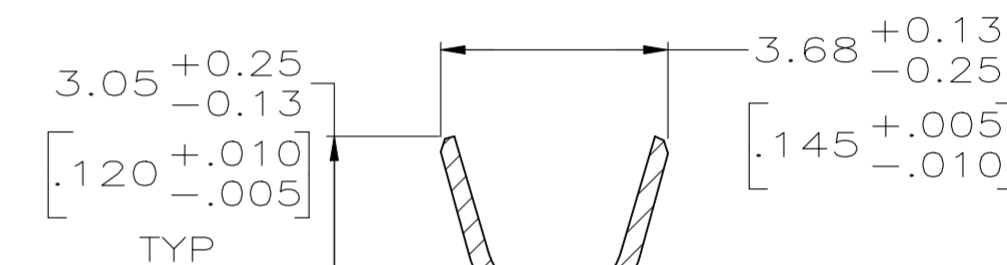


REVISIONS					
P	LTR	DESCRIPTION	DATE	DWN	APVD
R		REVISED PER ECR-24-213591	28JUN2024	RK	FJS



SECTION A-A



SECTION B-B

1 0.76µm [.000030] MIN PRECIOUS METAL PLATE ON MATING END FOR A LENGTH OF 5.08 [.200] MIN WITH 1.27µm [.000050] MIN MATTE TIN PLATE IN WIRE CRIMP AREA, BOTH OVER 0.76µm [.000030] MIN NICKEL PER QQ-N-290. CONFORMS TO THE REQUIREMENTS OF TE PRODUCT SPEC 108-10042, BASED ON EIA-364-1000.01 (CONTROLLED ENVIRONMENT APPLICATIONS).

2 0.76µm [.000030] MIN PRECIOUS METAL PLATE ON MATING END FOR A LENGTH OF 5.08 [.200] MIN WITH A UNIFORM GRADIENT TO 0.25µm [.000010] MIN GOLD PER MIL-G-45204 ON THE REMAINDER OVER 0.76µm [.000030] MIN NICKEL PER QQ-N-290. CONFORMS TO THE REQUIREMENTS OF TE PRODUCT SPEC 108-10042, BASED ON EIA-364-1000.01 (CONTROLLED ENVIRONMENT APPLICATIONS).

3 0.38µm [.000015] MIN PRECIOUS METAL PLATE ON MATING END FOR A LENGTH OF 5.08 [.200] MIN WITH 1.27µm [.000050] MIN MATTE TIN PLATE IN WIRE CRIMP AREA, BOTH OVER 0.76µm [.000030] MIN NICKEL PER QQ-N-290. CONFORMS TO THE REQUIREMENTS OF TE PRODUCT SPEC 108-10042, BASED ON EIA-364-1000.01 (CONTROLLED ENVIRONMENT APPLICATIONS).

4 1.27µm [.000050] MIN TIN-LEAD PER MIL-T-10727 OVER 0.76µm [.000030] MIN NICKEL PER QQ-N-290.

5 GOLD PLATING NEED NOT APPEAR IN THIS AREA.

6 WIRE RANGE 24-20 AWG. INSULATION RANGE 2.03[.080]-2.54[.100].

7 0.38µm [.000015] MIN GOLD PER MIL-G-45204 ON MATING END FOR A LENGTH OF 5.08 [.200] MIN, 1.27µm [.000050] MIN TIN-LEAD PER MIL-T-10727 FOR A LENGTH OF 5.69 [.224] MIN ON OPPOSITE END, BOTH OVER 1.27µm [.000050] MIN NICKEL PER QQ-N-290 ON ENTIRE CONTACT.

8 1.27µm [.000050] MIN TIN PER MIL-T-10727 OVER 0.76µm [.000030] MIN NICKEL PER QQ-N-290.

9 OBSOLETE PARTS: OBSOLETE CIS STREAMLINING PER D.RENAUD/D.SINISI

	SMALL PACK	8	1-66331-4 OR 1-66331-5	1-66399-1
	STANDARD	8	1-66331-4 OR 1-66331-5	1-66399-0
	SMALL PACK	1	66331-4	66399-9
9 OBSOLETE	SMALL PACK	3	66331-7	66399-8
9 OBSOLETE	SMALL PACK	2	66331-2	66399-7
	SMALL PACK	4	66331-1	66399-6
OBSOLETE	STANDARD	7	1-66331-2	66399-5
	STANDARD	1	66331-4	66399-4
	STANDARD	3	66331-7	66399-3
	STANDARD	2	66331-2	66399-2
	STANDARD	4	66331-1	66399-1
	PACKAGING TYPE		STRIP P/N REF	PART NO

THIS DRAWING IS A CONTROLLED DOCUMENT.		DWN	R.SHIREY	7-30-91		TE Connectivity						
DIMENSIONS: mm [INCHES]		CHK	R.STONE	9-19-91		NAME						
TOLERANCES UNLESS OTHERWISE SPECIFIED:		APVD	J.ESTMAN	9-20-91		SOCKET ASSEMBLY, LOOSE PIECE, TYPE III+						
0 PLC ± - 1 PLC ± - 2 PLC ± 0.13[.005] 3 PLC ± - 4 PLC ± - ANGLES ± -		PRODUCT SPEC	-			SIZE	A2	CAGE CODE	00779	DRAWING NO	C=66399	RESTRICTED TO
MATERIAL SEE CALLOUTS		FINISH	SEE CALLOUTS		WEIGHT	-	SCALE	8:1	SHEET	1 OF 1	REV	R
CUSTOMER DRAWING												