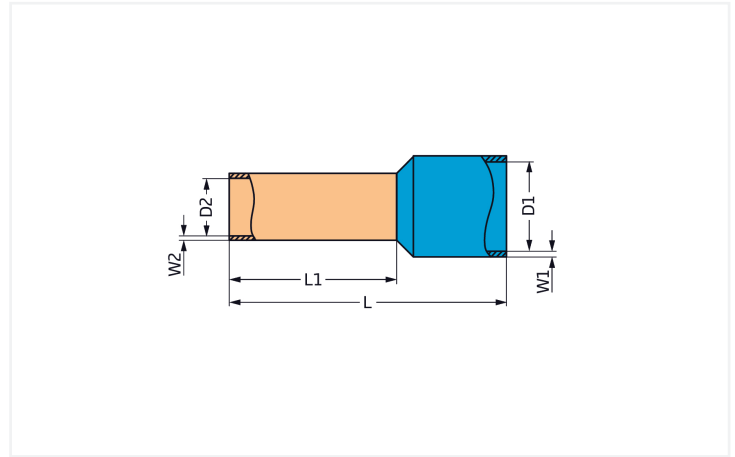


Data Sheet | Item Number: 216-202

Ferrule; Sleeve for 0.75 mm² / 18 AWG; insulated; electro-tin plated; gray

<https://www.wago.com/216-202>



Color: ■ gray

Similar to illustration

Dimensions in mm

Connection Data

Metric cross-section of the ferrule	0.75 mm ²
Strip length	10 ... 11 mm / 0.39 ... 0.43 inches
Cross-section (AWG) of ferrule	18 AWG

Physical data

Total length	14 mm
Wall thickness of crimp sleeve	0.15 mm
Wall thickness (plastic collar)	0.25 mm
Crimp length (length of sleeve)	8 mm
Inner diameter of plastic collar	2.8 mm
Diameter crimp sleeve inside	1.2 mm

Mechanical data

Plastic collar	Standard collar
----------------	-----------------

Material data

Color	gray
Fire load	0.001 MJ
Weight	0.1 g

Commercial data	
Product Group	2 (Terminal Block Accessories)
PU (SPU)	1000 pcs
Packaging type	Box
Country of origin	DE
GTIN	4017332277457
Customs tariff number	85369010000

Product Classification	
UNSPSC	39121405
eCl@ss 10.0	27-40-02-01
eCl@ss 9.0	27-40-02-01
ETIM 9.0	EC000005
ETIM 10.0	EC000005
ECCN	NO US CLASSIFICATION

Environmental Product Compliance	
RoHS Compliance Status	Compliant, No Exemption

Downloads

Environmental Product Compliance

Compliance Search	
Environmental Product Compliance 216-202	↓

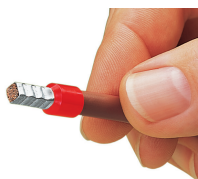
Documentation

Bid Text			
216-202	19.02.2019	xml 2.80 KB	↓
216-202	11.09.2017	doc 23.50 KB	↓

CAD/CAE-Data

CAD data	
2D/3D Models 216-202	↓

Installation Notes



A perfect gas-tight crimp – both electrical-ly and mechanically reliable