

# SAC-5P-MINMR/0,6-441/MINFR PWR - Power cable



1419881

<https://www.phoenixcontact.com/us/products/1419881>

Please be informed that the data shown in this PDF document is generated from our online catalog. Please find the complete data in the user documentation. Our general terms of use for downloads are valid.



Power cable, 5-position, PUR, gray RAL 7001, Plug angled 7/8"-16UNF, coding: A, on Socket angled 7/8"-16UNF, cable length: 0.6 m, 2.5 mm<sup>2</sup> conductor cross section, For power supply

## Your advantages

- Easy and safe: 100 % electrically tested plug-in components
- High-performance: connectors and cables with a large conductor cross section for power supply

## Commercial data

Item number	1419881
Packing unit	1 pc
Note	Made to order (non-returnable)
Sales key	B22
Product key	BF1FDA
Catalog page	Page 277 (C-4-2015)
GTIN	4046356537636
Weight per piece (including packing)	217.7 g
Weight per piece (excluding packing)	217.7 g
Customs tariff number	85444290
Country of origin	DE

1419881

<https://www.phoenixcontact.com/us/products/1419881>

## Technical data

### Product properties

Product type	Sensor/actuator cable
Application	Power supply
Number of positions	5
No. of cable outlets	1
Shielded	no
Coding	A

### Insulation characteristics

Overvoltage category	II
Degree of pollution	3

### Material specifications

Flammability rating according to UL 94	HB
Material of grip body	TPU
Contact material	CuZn
Contact surface material	Au
Contact carrier material	PA 6.6
Material for screw connection	Zinc die-cast, nickel-plated

### Electrical properties

Rated surge voltage	4000 V
Insulation resistance	$\geq 10 \text{ M}\Omega$
Nominal voltage $U_N$	600 V AC
	600 V DC
Nominal current $I_N$	13 A

### Mechanical properties

#### Mechanical data

Insertion/withdrawal cycles	100
-----------------------------	-----

### Signaling

Status display	No
Status display present	No

### Connector

#### Connection 1

Type	Plug angled 7/8"-16UNF
Number of positions	5
Coding type	A

#### Connection 2

# SAC-5P-MINMR/0,6-441/MINFR PWR - Power cable



1419881

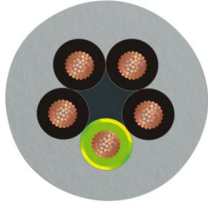
<https://www.phoenixcontact.com/us/products/1419881>

Type	Socket angled 7/8"-16UNF
Number of positions	5

## Cable/line

Cable length	0.6 m
--------------	-------

PUR/PVC gray [441]

Dimensional drawing	
Cable weight	195 kg/km
UL AWM Style	20234 (80 °C / 600 V)
Number of positions	5
Shielded	no
Cable type	PUR/PVC gray [441]
AWG signal line	14
Conductor cross section	5x 2.5 mm <sup>2</sup>
External cable diameter	10.80 mm ±0.2 mm
Outer sheath, material	PUR
External sheath, color	gray RAL 7001
Conductor material	Bare Cu litz wires
Material wire insulation	PVC
Single wire, color	black 1, black 2, black 3, black 4, green/yellow
Overall twist	5 cores, twisted
Max. conductor resistance	7.98 Ω/km
Nominal voltage, cable	500 V AC
Test voltage	4000 V AC
Minimum bending radius, fixed installation	7.5 x D
Minimum bending radius, flexible installation	15 x D
Smallest bending radius, fixed installation	81 mm
Smallest bending radius, movable installation	162 mm
Flame resistance	in accordance with EN 60332-1-2 in acc. to UL VW1 According to CSA FT1
Resistance to oil	According to HD 22.10 according to VDE 0282 Part 10
Ambient temperature (operation)	-40 °C ... 90 °C (cable, fixed installation) 5 °C ... 90 °C (Cable, flexible installation)

# SAC-5P-MINMR/0,6-441/MINFR PWR - Power cable



1419881

<https://www.phoenixcontact.com/us/products/1419881>

## Environmental and real-life conditions

### Ambient conditions

Degree of protection	IP65
	IP67
	IP68
Ambient temperature (operation)	-40 °C ... 90 °C (Plug / socket)
	-40 °C ... 90 °C (cable, fixed installation)
	5 °C ... 90 °C (Cable, flexible installation)

# SAC-5P-MINMR/0,6-441/MINFR PWR - Power cable

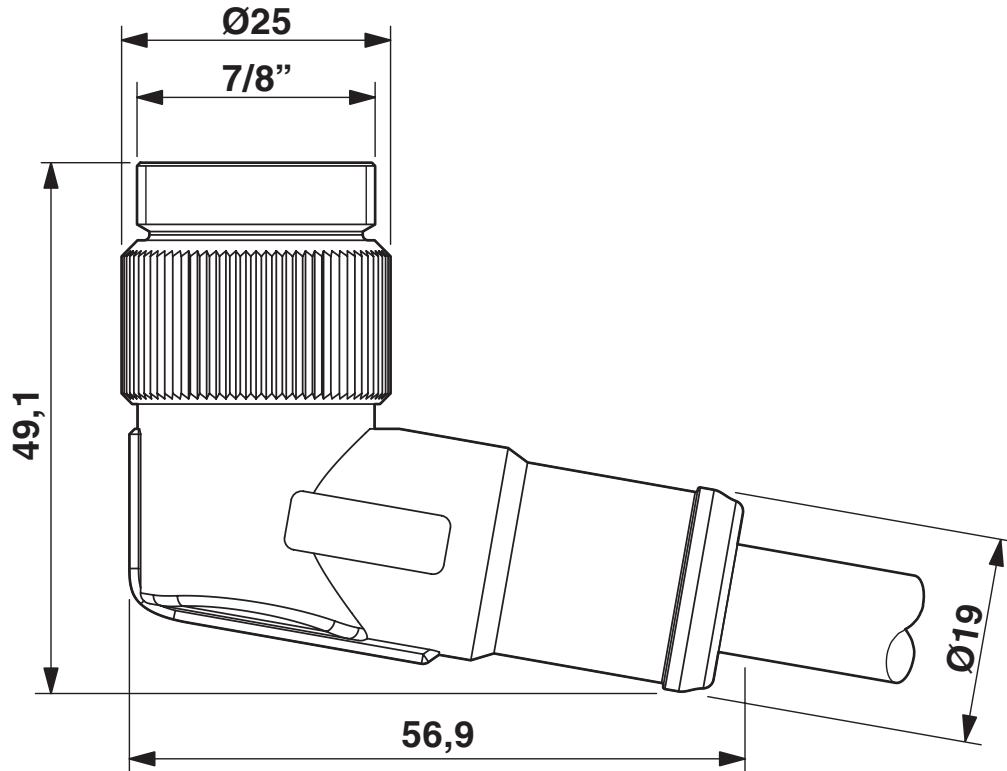


1419881

<https://www.phoenixcontact.com/us/products/1419881>

## Drawings

Dimensional drawing



7/8"-16UNF plug, angled

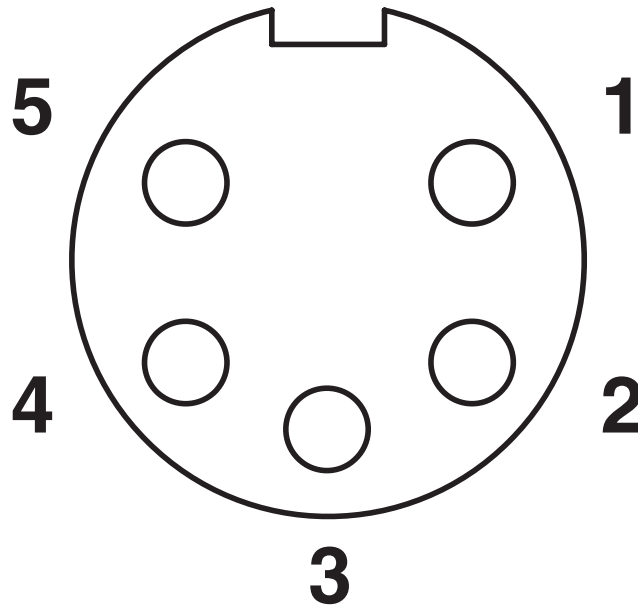
# SAC-5P-MINMR/0,6-441/MINFR PWR - Power cable



1419881

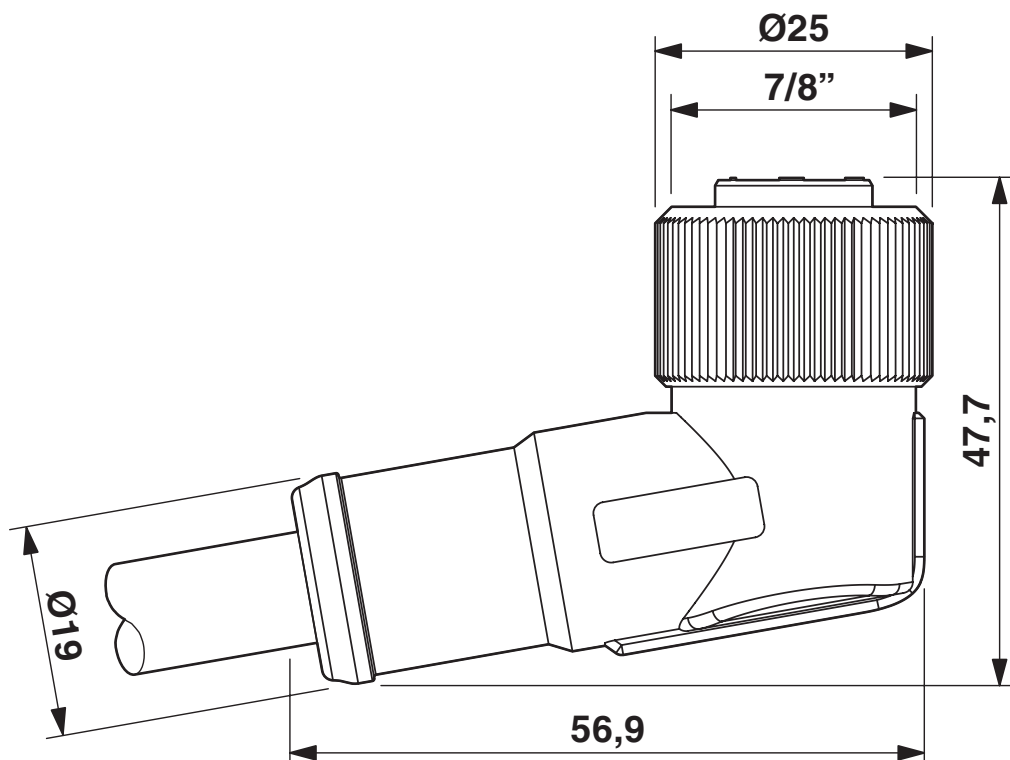
<https://www.phoenixcontact.com/us/products/1419881>

Schematic diagram



Pin assignment, socket, 7/8"-16UNF, 5-pos., view of female side

Dimensional drawing



7/8"-16UNF socket, angled

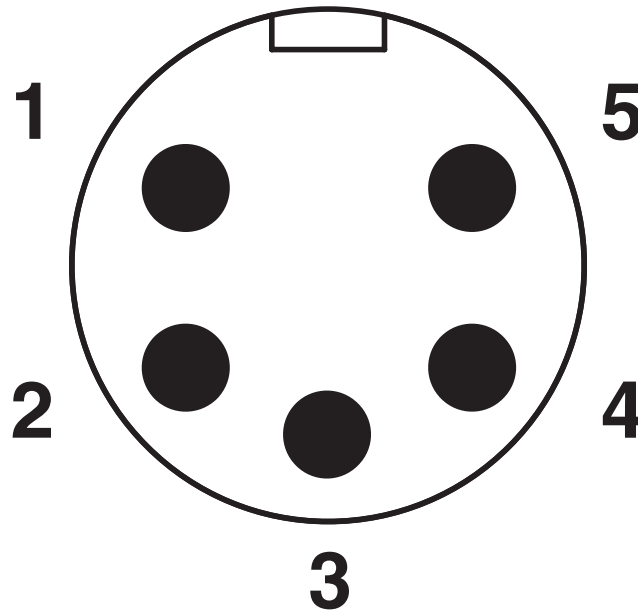
# SAC-5P-MINMR/0,6-441/MINFR PWR - Power cable



1419881

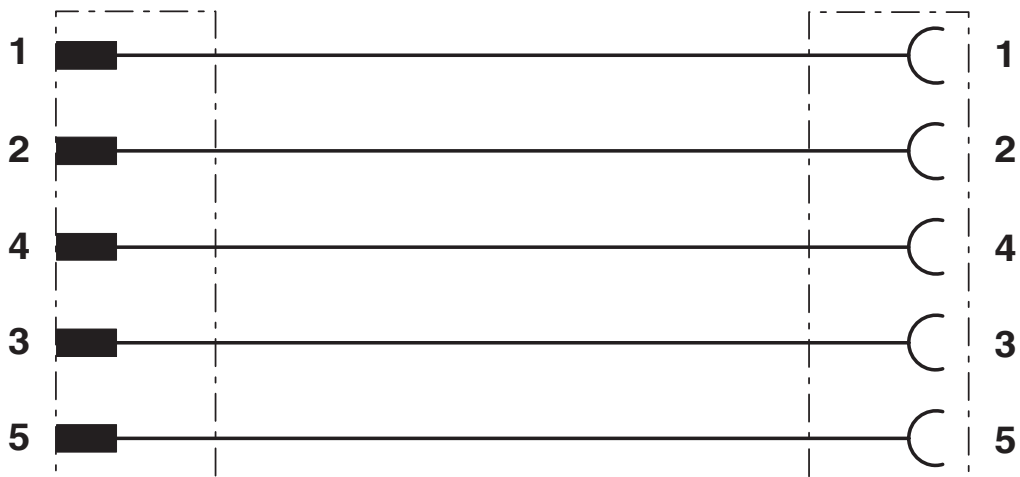
<https://www.phoenixcontact.com/us/products/1419881>

Schematic diagram



Pin assignment, plug, 7/8"-16UNF, 5-pos., view of male side

Circuit diagram



# SAC-5P-MINMR/0,6-441/MINFR PWR - Power cable



1419881

<https://www.phoenixcontact.com/us/products/1419881>

## Classifications

### ECLASS

ECLASS-11.0	27060311
ECLASS-13.0	27060311

# SAC-5P-MINMR/0,6-441/MINFR PWR - Power cable



1419881

<https://www.phoenixcontact.com/us/products/1419881>

## Accessories

### PROT-MINFS-PA-CHAIN - Sealing cap

1430912

<https://www.phoenixcontact.com/us/products/1430912>

7/8" sealing cap made of plastic with fixing band, for sensor cables, for 7/8" connectors



---

### UCT-WMT (23X4) - Conductor marker

0801453

<https://www.phoenixcontact.com/us/products/0801453>

Conductor marker, Sheet, white, unlabeled, can be labeled with: TOPMARK NEO, TOPMARK LASER, BLUEMARK ID COLOR, BLUEMARK ID, BLUEMARK CLED, THERMOMARK PRIME, THERMOMARK CARD 2.0, THERMOMARK CARD, mounting type: insert, cable diameter range: 1.5 ... 35 mm, lettering field size: 23 x 4 mm, Number of individual labels: 30



# SAC-5P-MINMR/0,6-441/MINFR PWR - Power cable



1419881

<https://www.phoenixcontact.com/us/products/1419881>

## UC-WMT (23X4) - Conductor marker

0819411

<https://www.phoenixcontact.com/us/products/0819411>



Conductor marker, Sheet, white, unlabeled, can be labeled with: BLUEMARK ID COLOR, BLUEMARK ID, BLUEMARK CLED, PLOTMARK, CMS-P1-PLOTTER, mounting type: insert, cable diameter range: 1.5 ... 35 mm, lettering field size: 23 x 4 mm, Number of individual labels: 24

---

## US-WMT (23X4) - Cable marker

0828769

<https://www.phoenixcontact.com/us/products/0828769>



Cable marker, Card, white, unlabeled, can be labeled with: BLUEMARK ID COLOR, BLUEMARK ID, THERMOMARK PRIME, THERMOMARK CARD 2.0, THERMOMARK CARD, mounting type: slide-on, cable diameter range: 1.5 ... 35 mm, lettering field size: 23 x 4 mm, Number of individual labels: 56

# SAC-5P-MINMR/0,6-441/MINFR PWR - Power cable



1419881

<https://www.phoenixcontact.com/us/products/1419881>

## WMTW (23X4)R - Cable marker

0831004

<https://www.phoenixcontact.com/us/products/0831004>



Cable marker, Roll, white, unlabeled, can be labeled with: THERMOMARK E.300 (D)/600 (D), THERMOMARK ROLL 2.0, THERMOMARK ROLL, THERMOMARK ROLL X1, THERMOMARK ROLLMASTER 300/600, THERMOMARK X1.2, mounting type: insert, cable diameter range: 1.5 ... 35 mm, lettering field size: 23 x 4 mm, Number of individual labels: 3000

---

## PROT-MINMS-PA-CHAIN - Screw plug

1430925

<https://www.phoenixcontact.com/us/products/1430925>



7/8" sealing cap made of plastic with fixing band, for sensor cables, for 7/8" sockets

# SAC-5P-MINMR/0,6-441/MINFR PWR - Power cable



1419881

<https://www.phoenixcontact.com/us/products/1419881>

## B-STIFT - Marker pen

1051993

<https://www.phoenixcontact.com/us/products/1051993>



Marker pen, for manual labeling of unprinted Zack strips, smear-proof and waterproof, line thickness 0.5 mm

---

## TSD 08 SAC - Torque screwdriver

1212597

<https://www.phoenixcontact.com/us/products/1212597>



Torque screw driver with preset torque of 0.8 Nm, with 4 mm hexagon for accommodating SAC bits, two-component handle with non-slip grip

# SAC-5P-MINMR/0,6-441/MINFR PWR - Power cable



1419881

<https://www.phoenixcontact.com/us/products/1419881>

## TSD-M 1,2NM - Torque screwdriver

1212224

<https://www.phoenixcontact.com/us/products/1212224>



Torque screw driver, accuracy as per EN ISO 6789 standard, adjustable from 0.3 - 1.2 Nm

---

## TSD-M SAC-BIT ADAPTER - Adapter insert

1212600

<https://www.phoenixcontact.com/us/products/1212600>



Adapter bit for TSD-M...torque tools, E6.3-1/4" drive with 4 mm hexagon to accommodate SAC bits

# SAC-5P-MINMR/0,6-441/MINFR PWR - Power cable



1419881

<https://www.phoenixcontact.com/us/products/1419881>

## SAC BIT MIN-D25 - Tool

1212512

<https://www.phoenixcontact.com/us/products/1212512>

Nut for assembling 7/8" connectors with a knurl diameter of 25 mm, with 4 mm hexagonal drive



---

Phoenix Contact 2024 © - all rights reserved

<https://www.phoenixcontact.com>

Phoenix Contact USA  
586 Fulling Mill Road  
Middletown, PA 17057, United States  
(+717) 944-1300  
[info@phoenixcon.com](mailto:info@phoenixcon.com)