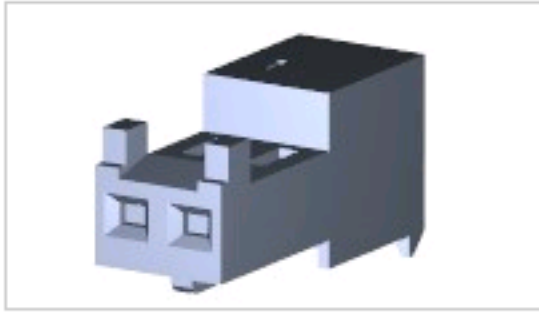


3-1744020-2 Product Details

[Share](#) | [Print](#) | [Email](#)


MTA, CST-100 II, MT-6 and SL Connectors and Headers

02P MTA100 CONN ASSY LF
3-1744020-2
TE Internal Number: 3-1744020-2

Active
[View 3D PDF](#)

Product Highlights [View All](#)

- MTA-100 Product Line
- MTA Series
- Wire-to-Post
- Applies To Wire/Cable
- Connector

- [Pricing & Availability](#)
- [Request Sample](#)
- [Add to My Part List](#)
- [Buy Product through Distributor](#)

Feedback

[Documents](#) | [Features](#) | [Compliance](#)

Please Note:
Use the Product Drawing for all design activity

Product Type Features	
Product Line	MTA-100
Product Type	Connector
Connector Type	Connector Assembly
PCB Mount Retention	Without
PCB Mount Alignment	Without
Connector Design	Closed End
Wire/Cable Type	Discrete Wire
Sealed	No
CSA File Number	LR7189

Mechanical Attachment	
Contact Retention	With
Mating Retention Type	Locking Ramp
Panel Mount Retention	Without
Contact Retention Type	Locking Lance

Electrical Characteristics	
Contact - Rated Current (A)	5
Operating Voltage Reference	AC
Operating Voltage (VAC)	250

Termination Features	
Wire/Cable Size (mm ²)	0.2
Wire/Cable Size (AWG)	24
Termination Method to Wire/Cable	IDC

Body Features	
Wire Type	Stranded
Mating Retention	With
Cable Exit Angle	90°
Assembly Integration Feature	Without

Contact Features	
Contact Type	Socket
Contact Base Material	Copper Alloy
Contact Plating, Mating Area, Material	Gold
Contact Layout	In-Line
Multiple Contact Types	Without
Contact Plating, Mating Area, Thickness (µm [µin])	0.38 [15]
Underplate Material	Nickel
Underplate Material Thickness (µm [µin])	1.27 - 1.77 [50.000 - 69.685]

Housing Features	
Connector Style	Receptacle
Centerline (mm [in])	2.54 [0.100]
Housing Style	Standard
Housing Material	Nylon - GF
Housing Color	White
Mating Alignment	With
Mating Alignment Type	Polarization

Configuration Features	
Number of Positions	2
Backwall/Post Interruption(s)	Without
Strain Relief	With
Number of Rows	1

Industry Standards	
RoHS/ELV Compliance	RoHS compliant, ELV compliant
Lead Free Solder Processes	Not relevant for lead free process
RoHS/ELV Compliance History	Always was RoHS compliant
Agency/Standard	UL, CSA
UL Rating	Recognized
CSA Rating	Certified
UL File Number	E28476
UL Flammability Rating	UL 94V-2

Environmental	
Operating Temperature (°C [°F])	-55 - +105 [-67 - +221]

Conditions for Usage	
Applies To	Wire/Cable
Accepts Wire Insulation Diameter, Range (mm [in])	1.52 [0.060]
For Use With	MTA .100 Header

Operation/Application	
Application Use	Wire-to-Post

Packaging Features	
Packaging Method	Box/Carton
Packaging Quantity	500

Other	
Series	MTA
Brand	AMP
Comment	2 & 3 Position MTA-100 Posted Connectors can not mate with MTA-100 Connectors with polarizing tabs

Related Products

Not quite the product you're looking for?
[Find Similar Products](#)

[View Part in Product Feature Selector](#)

[View Mating Products \(13\)](#)

[Check for Tooling](#)

- Corporate Information**
- [About TE](#)
 - [Investors](#)
 - [News Room](#)
 - [Supplier Portal](#)
 - [Careers](#)
 - [Terms & Conditions](#)
 - [Privacy Policy](#)
 - [Global Accessibility Statement](#)

- Quick Links**
- [Distributor Inventory](#)
 - [Product Cross Reference](#)
 - [Documents & Drawings](#)
 - [Product Compliance Support Center](#)
 - [Site Map](#)

- Customer Support**
- [Email or Chat With Us](#)
 - [Find a Phone Number](#)
 - [Knowledge Base](#)
 - [Manage Your Account](#)

Keep Me Informed