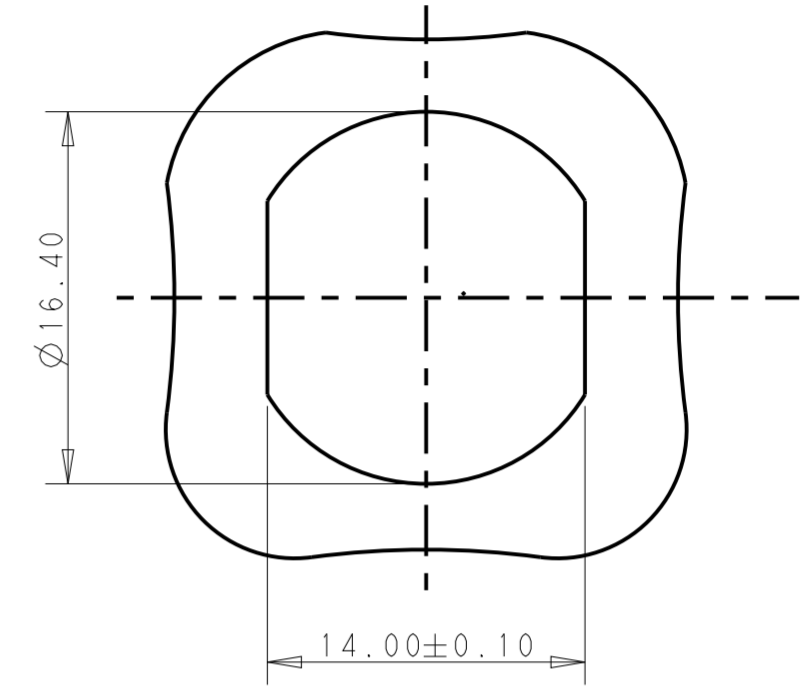
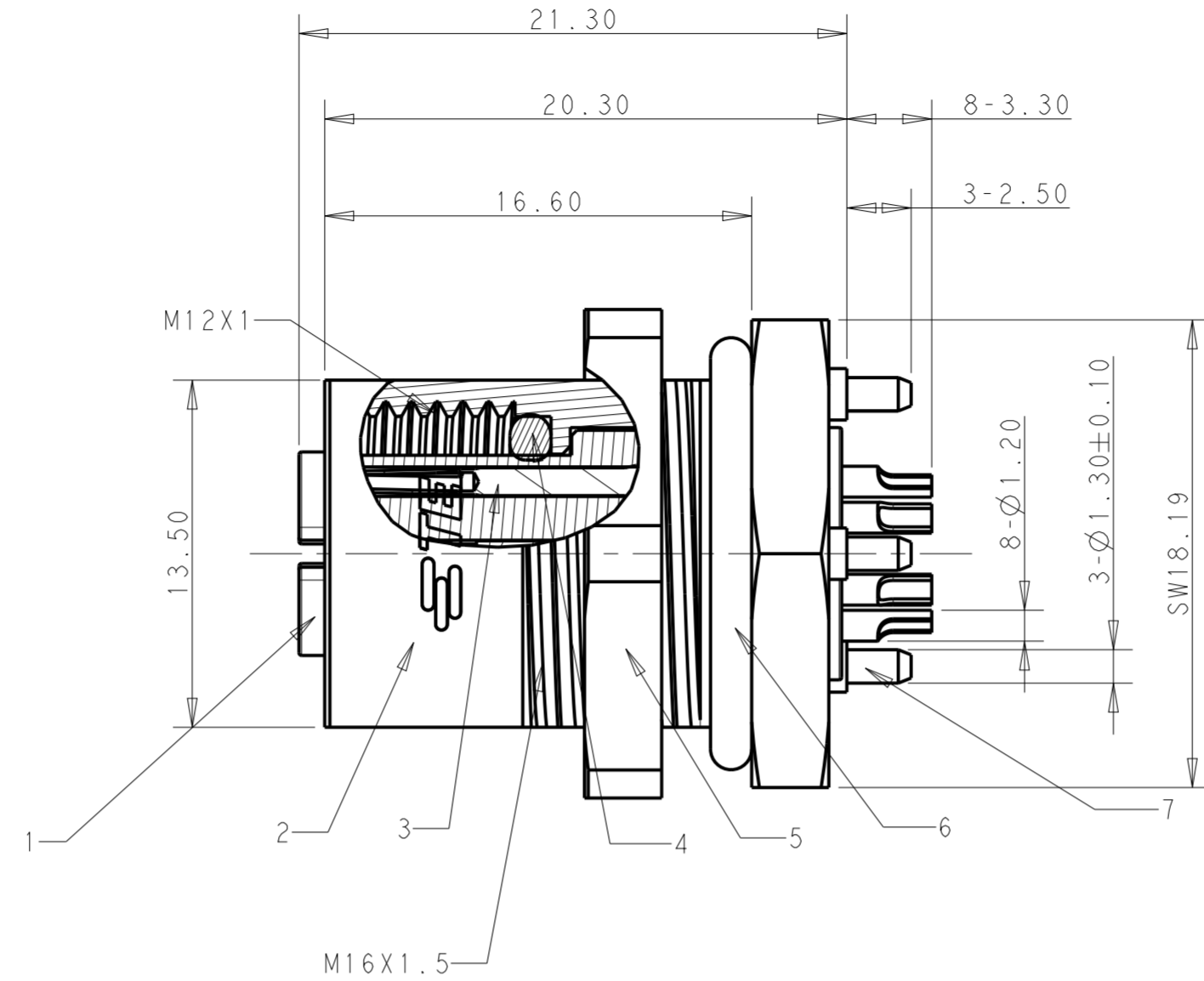
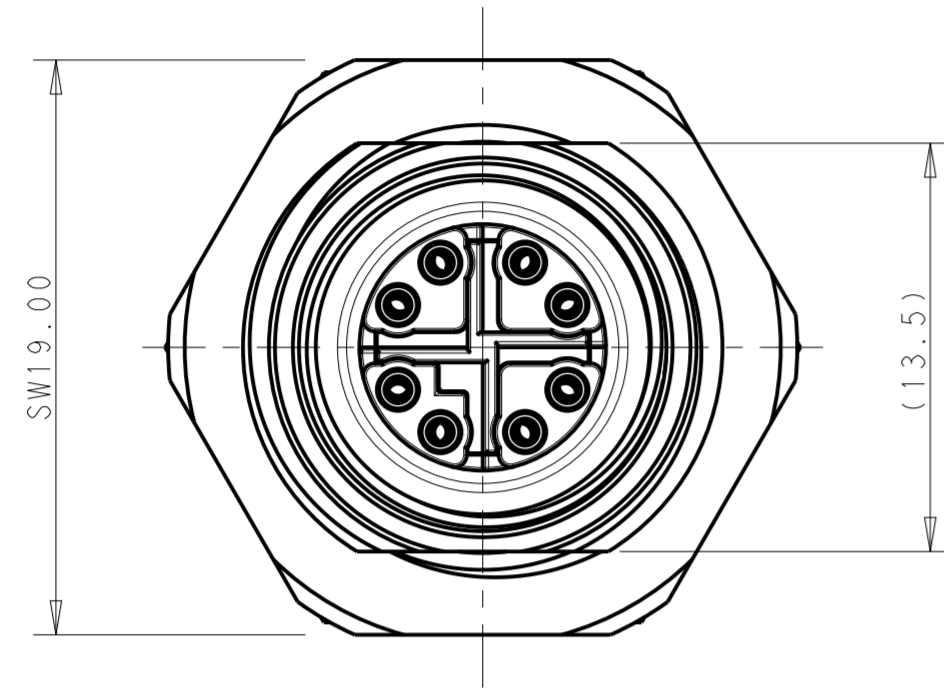


THIS DRAWING IS UNPUBLISHED. 2021 TE Connectivity. All Rights Reserved. RELEASED FOR PUBLICATION ALL RIGHTS RESERVED.

REVISIONS				
P	LTR	DESCRIPTION	DATE	APVD
A		INITIAL RELEASE	09JUN2021	G.W C.W



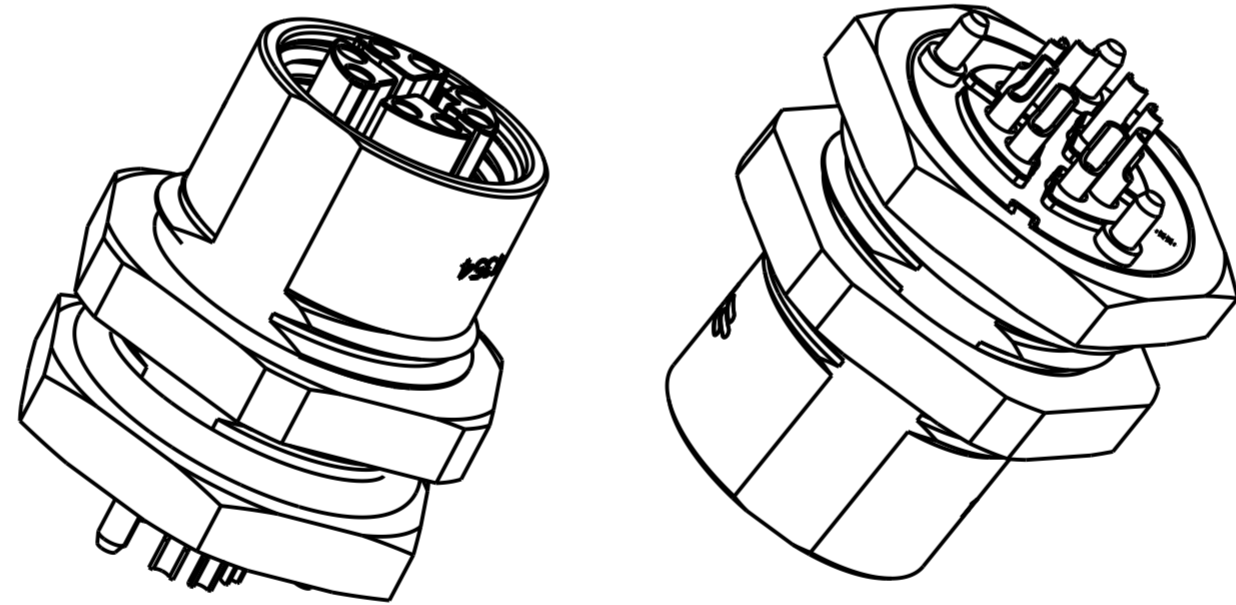
RECOMMENDED PANEL HOLE SIZE
4.5mm MAX PANEL THICKNESS

SPCIFICATION:

- M12 8P RECEPTACLE REAR MOUNT SHIELDED TYPE.
- RATED VOLTAGE:48V, RATED CURRENT: 0.5A.
- CONTACT RESISTANT: 5 mOhm MAX.
- INSULATION WITHSTAND: 100 MOhm MIN.
- PROTECTION: IP67.
- TEMPERATURE RANGE: -25°~+85°.
- TRANSMISSION CHARACTERISTICS: CAT6a.
- PACKAGE: 40PCS/TRAY, 10TRAYS/BOX(TOTAL 400PCS).
- SUITABLE WIRE RATING: 22~28AWG

规格:

- M12 8针 板后屏蔽型母座.
- 额定电压: 48V, 额定电流: 0.5A
- 接触阻抗: 5 mOhm MAX.,
- 绝缘阻抗: 100MOhm MIN.
- 保护等级: IP67
- 温度范围: -25°~+85°.
- 传输特性: CAT6a
- 包装规范: 40PCS/TRAY, 10TRAYS/箱(共400pcs产品)
- 适用导线规格: 22~28AWG



ITEM	DESCRIPTION	MATERIAL	FINISH/COLOR
1	INSERT HOUSING	PA	BLACK
2	HEXAGONAL SHELL	ZINC ALUMINUM ALLOY	NICKEL OVER COPPER
3	SOCKET CONTACT	COPPER ALLOY	GOLD OVER NICKEL
4	SEALER RING	LSR	BLACK
5	HEXAGONAL NUT	COPPER ALLOY	NICKEL OVERALL
6	SEALER RING	LSR	BLACK
7	CROSSSHIELDED	ZINC ALUMINUM ALLOY	NICKEL OVER COPPER TIN OVER NICKEL

THIS DRAWING IS A CONTROLLED DOCUMENT.		DWN 09JUN2021 GAVIN WANG		M12X-FF-8CON-M16-LAU		2271195-1		1SET311218R0000	
DIMENSIONS: mm		TOLERANCES UNLESS OTHERWISE SPECIFIED:		DESCRIPTION		TE PN		ENTRELEC PN	
0 PLC ±		1 PLC ±0.3		REAR PANEL MOUNT SOLDER CONNECTOR		-		-	
2 PLC ±0.20		3 PLC ±		M12 X-CODE		-		-	
4 PLC ±		ANGLES ±		MATERIAL		SCALE 4:1		SHEET 1 OF 1	
FINISH		-		CUSTOMER DRAWING		A200779		REV A	

