

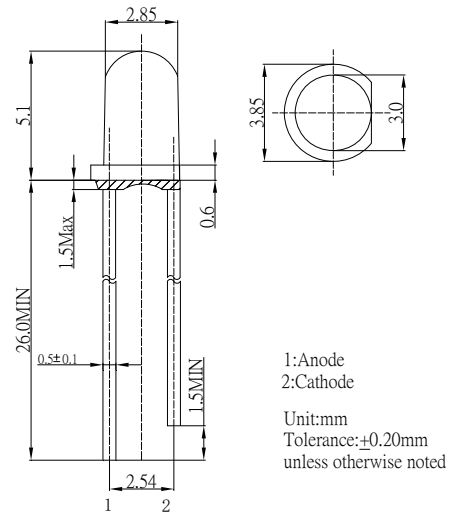
■ Features

- High Luminous LEDs
- 3mm Round Standard Directivity
- UV Resistant Epoxy
- Color Diffused (White Diffused for W, M only)

■ Applications

- General Purpose Indicators
- Small Area Illuminations
- Back Lighting
- Decorations

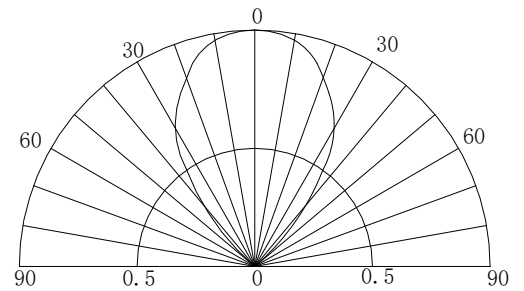
■ Outline Dimension



■ Absolute Maximum Rating (Ta=25°C)

Item	Symbol	Value		Unit
		W/M/B/PG	YG/Y/O/R	
DC Forward Current	I _F	30	30	mA
Pulse Forward Current#	I _{FP}	100	100	mA
Reverse Voltage	V _R	5	5	V
Power Dissipation	P _D	102	78	mW
Operating Temperature	Topr	-30 ~ +85		°C
Storage Temperature	Tstg	-40 ~ +100		°C
Lead Soldering Temperature	Tsol	260°C/5sec		-

■ Directivity



#Pulse width Max.10ms Duty ratio max 1/10

■ Electrical -Optical Characteristics (Ta=25°C)

Part Number	Color		V _F (V)*			I _R (μA)	I _v (mcd)*			W _d (nm)* / CIE*			2θ1/2(deg)	
			Min.	Typ.	Max.		Max.	Min.	Typ.	Max.	Min.	Typ.		Max.
			I _F =20mA				V _R =5V	I _F =20mA						
OSW4YK3Z72A	Pure White	W	-	2.9	3.4	10	1560	2180	-	X:0.31, Y:0.33			70	
OSM5YK3Z72A	Warm White	M	-	2.9	3.4	10	1120	1560	-	X:0.45, Y:0.41			70	
OSB5YU3Z74A	Blue	B	-	2.9	3.4	10	220	330	-	465	470	475	70	
OSG5TA3Z74A	Pure Green	PG	-	2.9	3.4	10	750	1120	-	520	525	530	70	
OSG8HA3Z74A	Yellow Green	YG	-	2.1	2.6	10	68	100	-	565	570	575	70	
OSY5JA3Z74A	Yellow	Y	-	2.1	2.6	10	220	330	-	585	590	595	70	
OSO5JA3Z74A	Orange	O	-	2.1	2.6	10	220	330	-	600	605	610	70	
OSR5JA3Z74A	Red	R	-	2.1	2.6	10	220	330	-	620	625	630	70	

*1 Tolerance of measurements of chromaticity coordinate is ±10%
 *2 Tolerance of measurements of dominant wavelength is +1nm
 *3 Tolerance of measurements of luminous intensity is ±15%
 *4 Tolerance of measurements of forward voltage is +0.1V