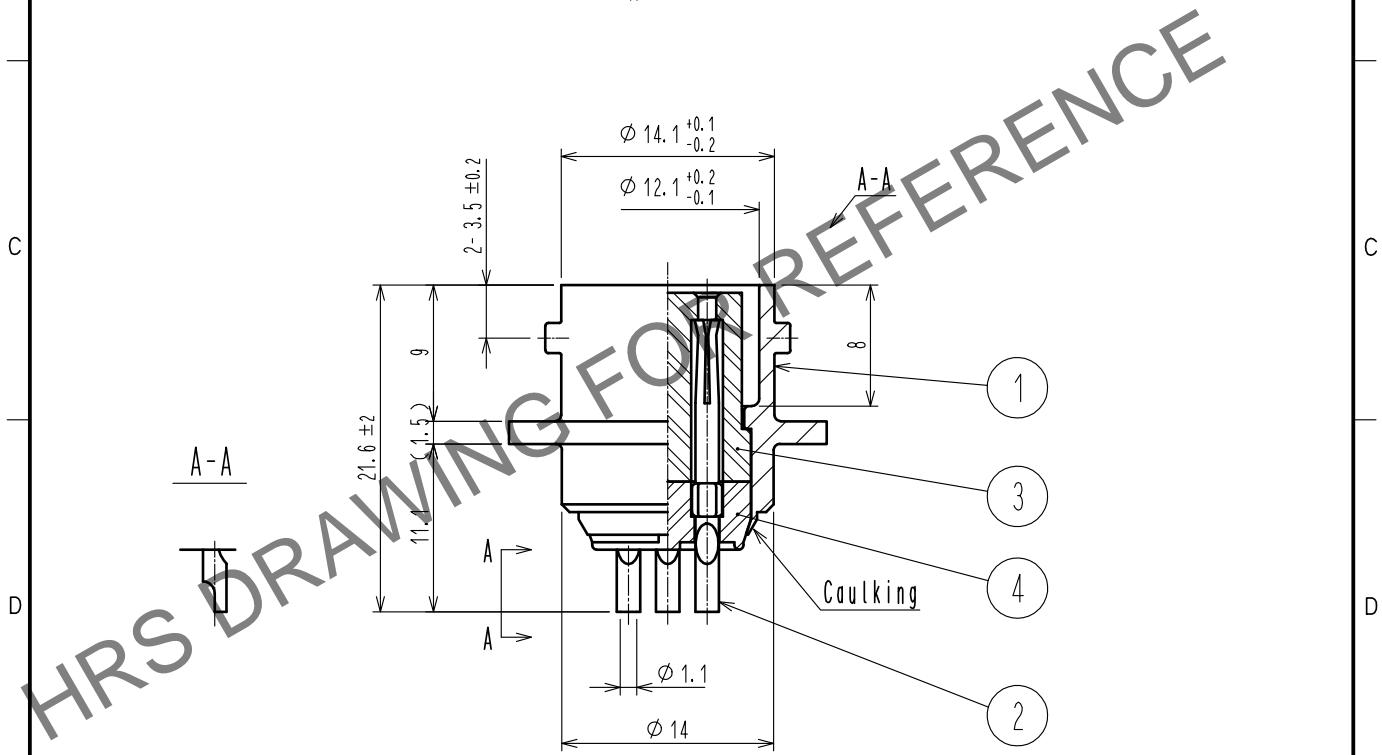
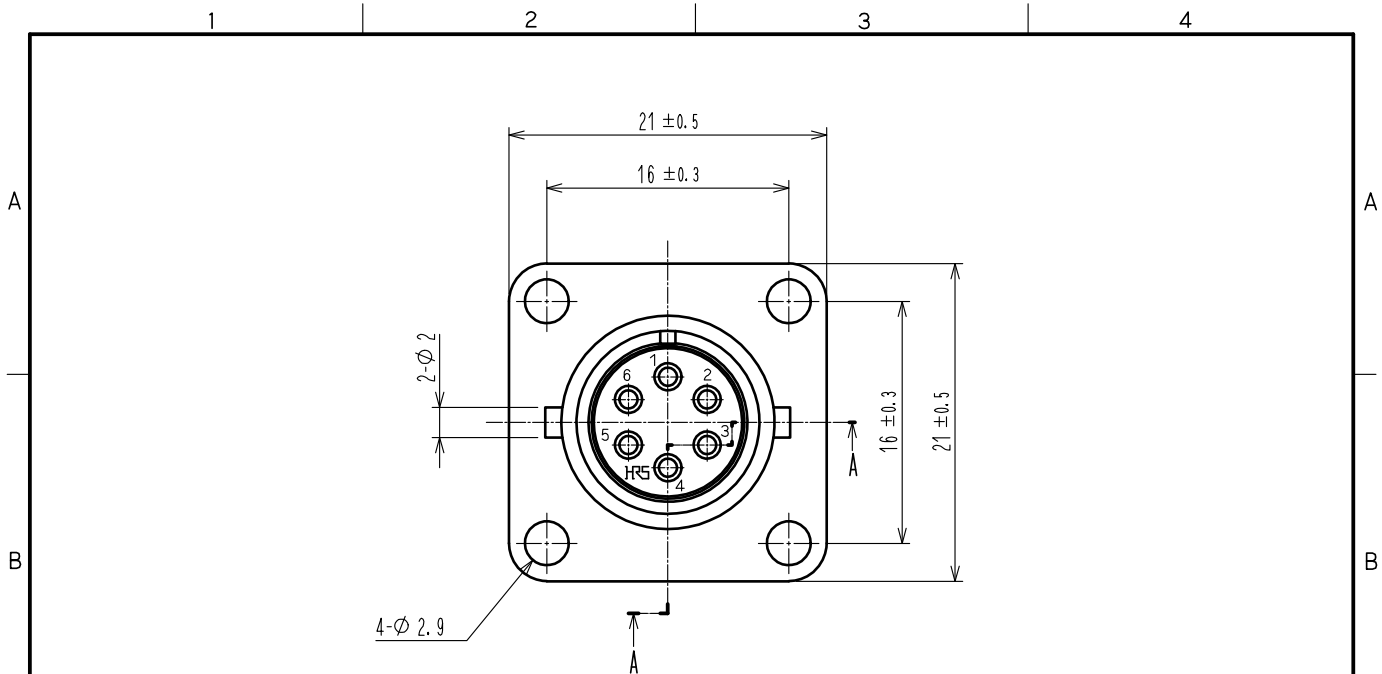


Apr.1.2026 Copyright 2026 HIROSE ELECTRIC CO., LTD. All Rights Reserved.
 In case of consideration for using Automotive equipment / device which demand high reliability, kindly contact our sales window correspondents.



HRS DRAWING FOR REFERENCE

NO.	MATERIAL	FINISH . REMARKS	NO.	MATERIAL	FINISH . REMARKS
2	COPPER ALLOY	Silver plating 5 μ m min.	4	PPS	(Black) UL94V-0
1	ZINC ALLOY	Matte finish nickel plating	3	PPS	(Black) UL94V-0

UNITS mm	SCALE 2 : 1	COUNT	DESCRIPTION OF REVISIONS	DESIGNED	CHECKED	DATE
HIROSE ELECTRIC CO., LTD.			APPROVED :HY. KOBAYASHI 15.11.19 CHECKED :HY. KOBAYASHI 15.11.19 DESIGNED :KN. IKEHARA 15.11.19 DRAWN :KN. IKEHARA 15.11.19	DRAWING NO. EDC-006362-81-00 PART NO. RM12BRB-6S(81) CODE NO. CL109-0581-0-81		