

KMR6 Series

Micro Miniature Tactile Switch for SMT
4.6 x 2.8 mm, with 1.9 mm Height Actuator



Specifications

| | |
|----------------------------|-----------------------------|
| Function | Momentary action |
| Contact Arrangement | 1 make contact = SPST, N.O. |
| Terminals | Gullwing type for SMT |
| Sealing | IP67 |

Electrical Characteristics

| | Silver | Gold |
|------------------------------|-------------------|-------------------|
| Max. Power | 1 VA | 0.2 VA |
| Max. Voltage | 32 VDC | 32 VDC |
| Min. Voltage | 20 mVDC | 20 mVDC |
| Max. Current | 50 mA | 10 mA |
| Min. Current | 1 mA ¹ | 1 mA ¹ |
| Dielectric Strength | ≥ 250 Vrms | |
| Contact Resistance | ≤ 100 mΩ | |
| Insulation Resistance | ≥ 1 GΩ | |
| Bounce Time | ≤ 3 ms | |

Environmental Characteristics

| | | |
|------------------------------|---------------|----------------|
| Operating Temperature | -40°C to 85°C | -40°C to 125°C |
| Storage Temperature | -55°C to 85°C | -55°C to 125°C |

Process

| | |
|------------------|--|
| Soldering | Lead free reflow soldering process in accordance with IEC 61760-1. |
|------------------|--|

Notes:

- For ULC version minimum current is 1µA at 1.8 VDC
- Specifications listed above are for switches with standard options. For information on specific and custom switches, consult Customer Service Center.

Description

The KMR6 series microminiature SMT top actuated switch is IP67 rated with ultra-low current capabilities. Its long-life and excellent tactile feel make it ideal for industrial, medical and automotive applications that need to dependably operate under the harshest of conditions.

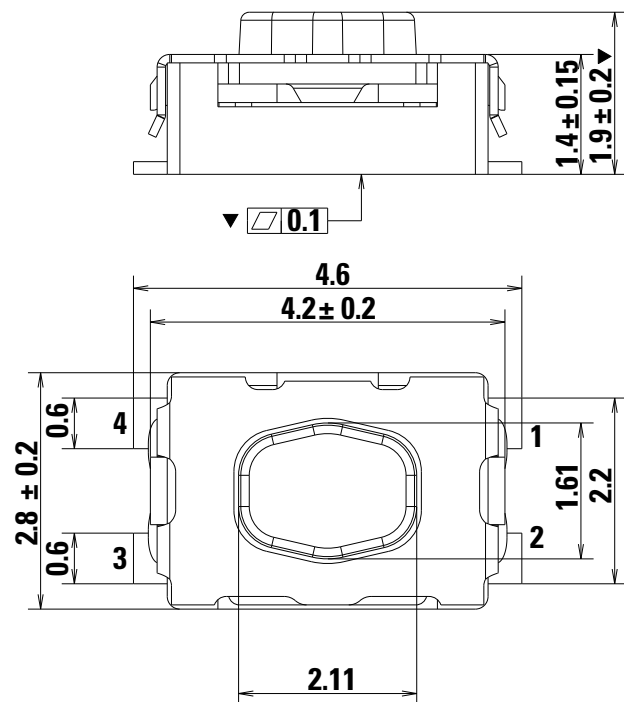
Features & Benefits

- Watertight IP67
- Standard and long life versions
- No ground pin
- Ultra low current capabilities
- Excellent tactile feel

Applications

- Transportation
- Medical
- Consumer
- Industrial

NG - No Ground Pin



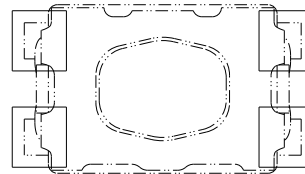
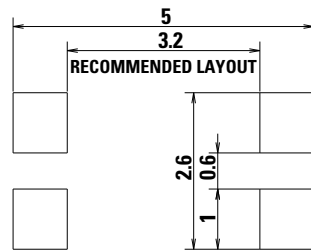
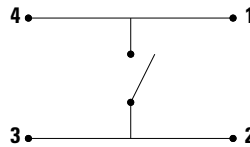
KMR6 Series

Micro Miniature Tactile Switch for SMT
4.6 x 2.8 mm, with 1.9 mm Height Actuator

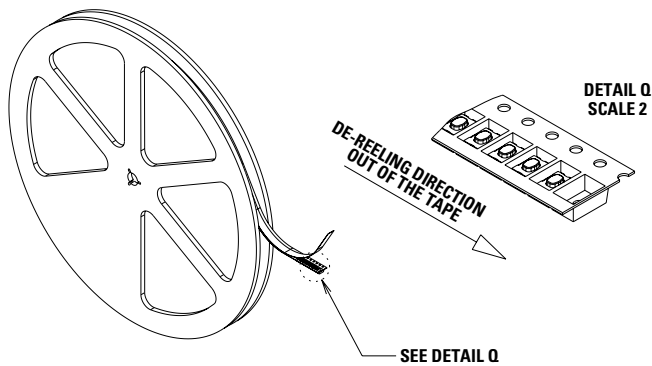


NG - No Ground Pin

ELECTRICAL DIAGRAM



Tape & Reel

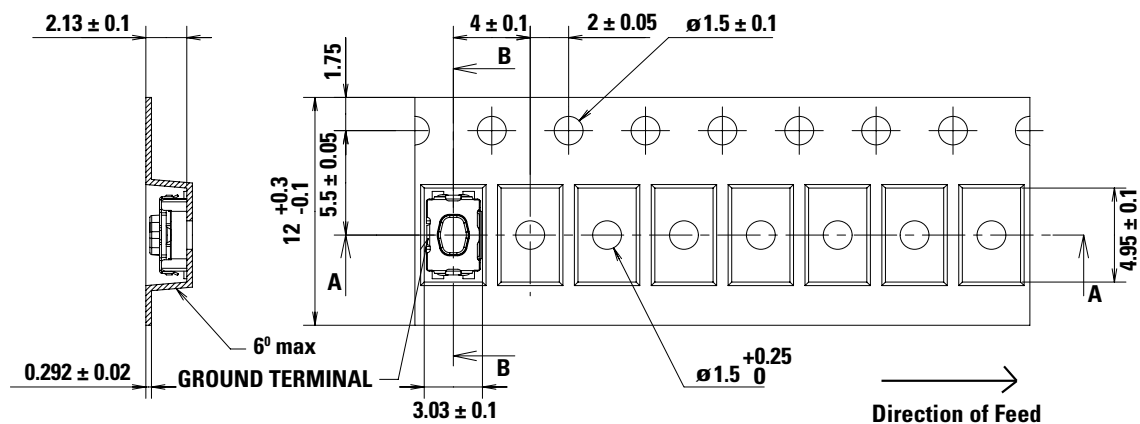
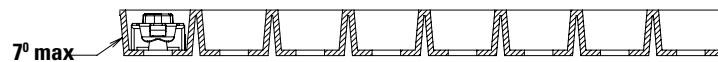


Packaging Details

| Type | Tape & reel |
|------------------------------|---|
| Number of Parts in Packaging | 7,000 |
| Other Information | Tape and reel per EIA 481, External diameter 330 mm ± 2mm |
| Transport Conditions | According to specification NF H00-060 |

Tape & Reel

DE-REELING DIRECTION OUT OF THE TAPE SECTION A-A



KMR6 Series

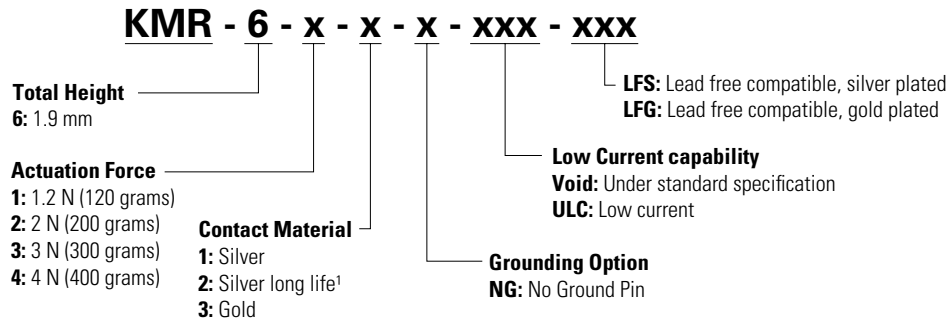
Micro Miniature Tactile Switch for SMT

4.6 x 2.8 mm, with 1.9 mm Height Actuator



Ordering Number

For any part number different from those listed above, please consult your local representative.



Notes:

1. Silver long life is available in 3N and 4N actuation force. For other versions, please contact Customer Service.

Mechanical Characteristics

| Supply status | Littelfuse Orderable Part Number | Description | Contact & Terminals Plating | Ground Pin | Operating Force Fa (Newton) | Tactile ratio (Min) | Operating Life (operations) | Electrical Travel (mm) |
|---------------|----------------------------------|------------------|-----------------------------|------------|-----------------------------|---------------------|-----------------------------|------------------------|
| ✓ | Y78B61120FP | KMR611NG LFS | Silver | No | 1.2±0.3 | Min 20% | 200,000 | 0.2±0.1 |
| ORO | Y78B61124FP | KMR611NG ULC LFS | Silver | No | 1.2±0.3 | Min 20% | 200,000 | 0.2±0.1 |
| ORO | Y78B61320FP | KMR613NG LFG | Gold | No | 1.2±0.3 | Min 20% | 200,000 | 0.2±0.1 |
| ORO | Y78B61324FP | KMR613NG ULC LFG | Gold | No | 1.2±0.3 | Min 20% | 200,000 | 0.2±0.1 |
| ✓ | Y78B62120FP | KMR621NG LFS | Silver | No | 2±0.5 | Min 30% | 200,000 | 0.25±0.1 |
| ✓ | Y78B62124FP | KMR621NG ULC LFS | Silver | No | 2±0.5 | Min 30% | 200,000 | 0.25±0.1 |
| ✓ | Y78B62320FP | KMR623NG LFG | Gold | No | 2±0.5 | Min 30% | 200,000 | 0.25±0.1 |
| ✓ | Y78B62324FP | KMR623NG ULC LFG | Gold | No | 2±0.5 | Min 30% | 200,000 | 0.25±0.1 |
| ✓ | Y78B63120FP | KMR631NG LFS | Silver | No | 3±0.75 | Min 30% | 150,000 | 0.25±0.1 |
| ✓ | Y78B63124FP | KMR631NG ULC LFS | Silver | No | 3±0.75 | Min 30% | 150,000 | 0.25±0.1 |
| ORO | Y78B63220FP | KMR632NG LFS | Silver | No | 3±0.75 | Min 30% | 300,000 | 0.25±0.1 |
| ✓ | Y78B63224FP | KMR632NG ULC LFS | Silver | No | 3±0.75 | Min 30% | 300,000 | 0.25±0.1 |
| ✓ | Y78B63320FP | KMR633NG LFG | Gold | No | 3±0.75 | Min 30% | 150,000 | 0.25±0.1 |
| ✓ | Y78B63324FP | KMR633NG ULC LFG | Gold | No | 3±0.75 | Min 30% | 150,000 | 0.25±0.1 |
| ✓ | Y78B64120FP | KMR641NG LFS | Silver | No | 4±1 | Min 30% | 100,000 | 0.3±0.1 |
| ✓ | Y78B64124FP | KMR641NG ULC LFS | Silver | No | 4±1 | Min 30% | 100,000 | 0.3±0.1 |
| ✓ | Y78B64220FP | KMR642NG LFS | Silver | No | 4±1 | Min 30% | 200,000 | 0.3±0.1 |
| ✓ | Y78B64224FP | KMR642NG ULC LFS | Silver | No | 4±1 | Min 30% | 200,000 | 0.3±0.1 |
| ORO | Y78B64320FP | KMR643NG LFG | Gold | No | 4±1 | Min 30% | 100,000 | 0.3±0.1 |
| ✓ | Y78B64324FP | KMR643NG ULC LFG | Gold | No | 4±1 | Min 30% | 100,000 | 0.3±0.1 |

Notes: Supply status: ✓ : Available for ordering;

ORO : Available On Request Only. Please contact your Littelfuse representative for details.

Liability Limitation

This datasheet does not provide enough information for applications that require a certain level of quality or safety such as automotive, medical systems, or safety equipment. Please contact customer service for the contractual specification package.

Disclaimer Notice - Information furnished is believed to be accurate and reliable. However, users should independently evaluate the suitability of and test each product selected for their own applications. Littelfuse products are not designed for, and may not be used in, all applications. Read complete Disclaimer Notice at <http://www.littelfuse.com/disclaimer-electronics>.