

# SACB- 4/3-L-M12-M8 HD - Distributor box



1197405

<https://www.phoenixcontact.com/pc/products/1197405>

Please be informed that the data shown in this PDF document is generated from our online catalog. Please find the complete data in the user documentation. Our general terms of use for downloads are valid.



Distributor box, application: Standard, connection method: M8 socket Metal, number of slots: 4, number of positions: 3, coding: A, slot assignment: single, status display: yes, PNP; master cable connection: M12 plug connection 90°, shielding: no

## Your advantages

- Safety in the field, thanks to molded housing and high degree of protection
- Convenient: increased machine availability thanks to quick and easy diagnostics

## Commercial data

Item number	1197405
Packing unit	1 pc
Minimum order quantity	1 pc
Product key	AF3BCB
GTIN	4063151256265
Weight per piece (including packing)	81.8 g
Weight per piece (excluding packing)	80 g
Customs tariff number	85444290
Country of origin	DE

# SACB- 4/3-L-M12-M8 HD - Distributor box



1197405

<https://www.phoenixcontact.com/pc/products/1197405>

## Technical data

### Notes

Assembly note	<b>NOTE:</b> Observe the permissible bending radii when routing cables, since the degree of protection may be at risk if the bending forces are too high. Reduce mechanical loads upstream of the connector, e.g., by using cable ties.
Note on application	Unused slots are to be sealed off prior to commissioning. Suitable sealing elements are to be found under "Accessories".

### Product properties

Product type	Distributor box
Application	Standard
Number of positions	3
Number of slots	4
Coding	A
LED	yes

### System properties

#### Local diagnostics

Monitored function	Supply voltage per module
Optical representation	Green LED

### Electrical properties

Max. operating voltage $U_{max}$	30 V DC
Local diagnostics	Supply voltage per module Green LED
	Status display I/O Yellow LED
Nominal voltage $U_N$	24 V DC
Rated current, total	4 A
Max. current carrying capacity per path	2 A
Current carrying capacity per slot	2 A

### Connection data

#### Conductor connection

Sensor/actuator connection system	M8 socket
Tightening torque slot sensor/actuator cable	0.2 Nm
Tightening torque - master cable - plug connection	0.4 Nm
Tightening torque of mounting screw for fixing the housing	0.8 Nm

#### Connection assignment

Slot/position = Wire color or connection	1 / 4 (A) = 1
	2 / 4 (A) = 2
	3 / 4 (A) = 3
	4 / 4 (A) = 4

# SACB- 4/3-L-M12-M8 HD - Distributor box



1197405

<https://www.phoenixcontact.com/pc/products/1197405>

	1-4 / 1 (+ 24 V) = 5
	1-4 / 3 (0 V) = 7

## Signaling

Status display present	yes
------------------------	-----

## Dimensions

Dimensional drawing	
Width	30 mm
Height	23.6 mm
Length	85.5 mm

## Material specifications

Material Threaded sleeve	Cu alloy
Material Housing	PBT
Material Molding compound	PUR
Seal material O-ring	FKM
Contact material	CuZn
Contact surface material	Ni/Au
Contact carrier material	PBT
Material of contact, master cable side	CU alloy
Material of contact surface, master cable side	gold-plated

## Cable/line

Connection method	M12 plug connection
-------------------	---------------------

## Environmental and real-life conditions

### Ambient conditions

Degree of protection	IP67
Ambient temperature (operation)	-25 °C ... 80 °C

## Standards and regulations

### M12

Standard designation	M12 connector
Standards/specifications	IEC 61076-2-101

### M8

# SACB- 4/3-L-M12-M8 HD - Distributor box



1197405

<https://www.phoenixcontact.com/pc/products/1197405>

Standard designation	M8 connector
Standards/specifications	IEC 61076-2-104

# SACB- 4/3-L-M12-M8 HD - Distributor box

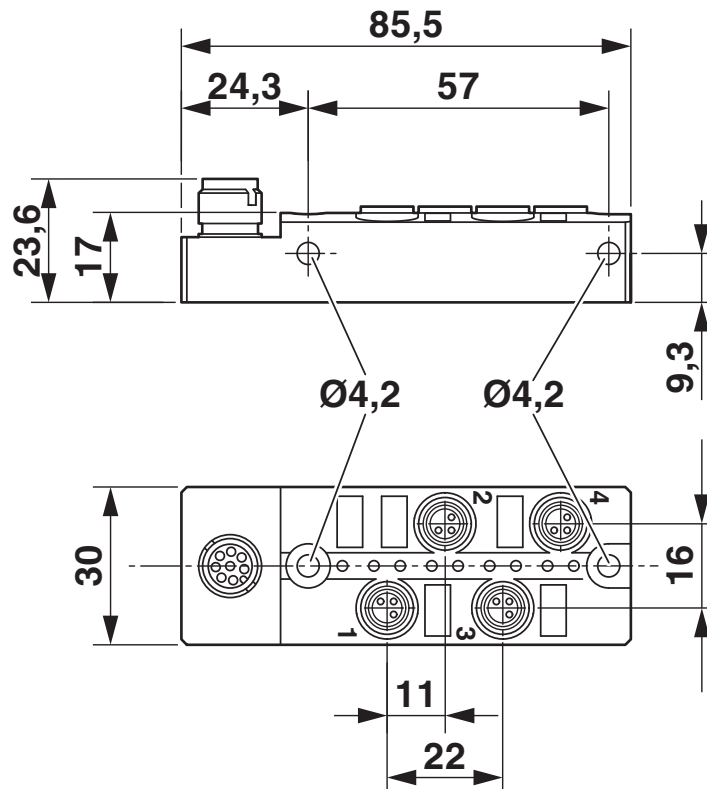


1197405

<https://www.phoenixcontact.com/pc/products/1197405>

## Drawings

Dimensional drawing



# SACB- 4/3-L-M12-M8 HD - Distributor box

1197405

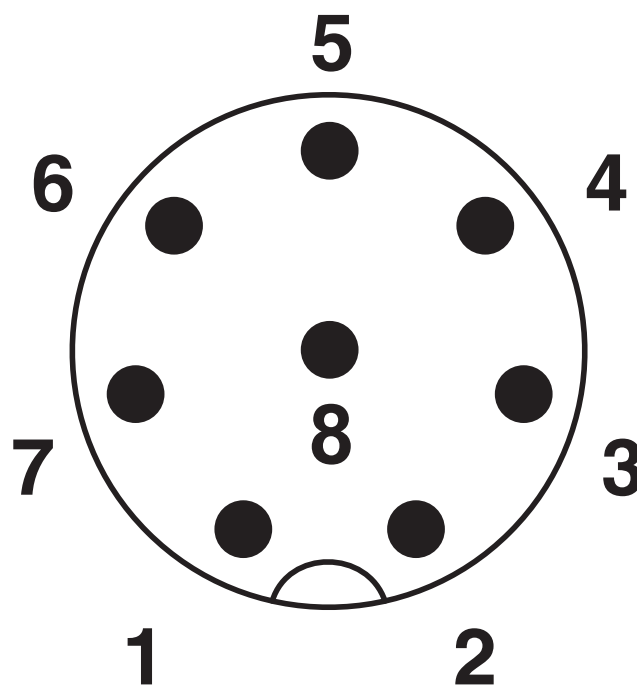
<https://www.phoenixcontact.com/pc/products/1197405>

Schematic diagram



M8 slot, socket, 3-pos.

Schematic diagram



Connector pin assignment for M12 plug-in connection, 8-pos.

# SACB- 4/3-L-M12-M8 HD - Distributor box



1197405

<https://www.phoenixcontact.com/pc/products/1197405>

Circuit diagram



Further information can be found in the connection assignment section

# SACB- 4/3-L-M12-M8 HD - Distributor box



1197405

<https://www.phoenixcontact.com/pc/products/1197405>

## Approvals

To download certificates, visit the product detail page: <https://www.phoenixcontact.com/pc/products/1197405>



**cUL Recognized**  
Approval ID: E238705

# SACB- 4/3-L-M12-M8 HD - Distributor box



1197405

<https://www.phoenixcontact.com/pc/products/1197405>

## Classifications

### ECLASS

ECLASS-13.0	27440111
ECLASS-15.0	27440111

### ETIM

ETIM 9.0	EC003558
----------	----------

### UNSPSC

UNSPSC 21.0	31251500
-------------	----------

# SACB- 4/3-L-M12-M8 HD - Distributor box



1197405

<https://www.phoenixcontact.com/pc/products/1197405>

## Environmental product compliance

### EU RoHS

Fulfills EU RoHS substance requirements	Yes, No exemptions
---	--------------------

### China RoHS

Environment friendly use period (EFUP)	EFUP-E
	No hazardous substances above the limits

### EU REACH SVHC

REACH candidate substance (CAS No.)	No substance above 0.1 wt%
-------------------------------------	----------------------------

# SACB- 4/3-L-M12-M8 HD - Distributor box



1197405

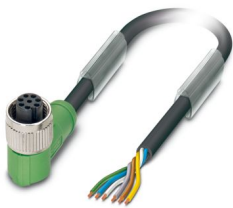
<https://www.phoenixcontact.com/pc/products/1197405>

## Accessories

### SAC-6P-M12FR-PURMC/ - Master cable

1520987

<https://www.phoenixcontact.com/pc/products/1520987>



Master cable, application: Sensor/actuator box, connection method: M8 socket Metal, number of slots: 4, number of positions: 6, coding: A, slot assignment: single, status display: no, Universal; master cable connection: M12 plug connection, PUR/PVC, cable length: 0.5 m ... 50 m, shielding: no

---

### SAC-6P- 5,0-PURMC/M12FR - Master cable

1407820

<https://www.phoenixcontact.com/pc/products/1407820>



M12 socket, angled, 6-pos., with connected master cable, for sensor/actuator box with M8 slots, cable length: 5 m

# SACB- 4/3-L-M12-M8 HD - Distributor box



1197405

<https://www.phoenixcontact.com/pc/products/1197405>

## SAC-6P-10,0-PURMC/M12FR - Master cable

1407821

<https://www.phoenixcontact.com/pc/products/1407821>



M12 socket, angled, 6-pos., with connected master cable, for sensor/actuator box with M8 slots, cable length: 10 m

---

## UCT-TM 6 - Marker for terminal blocks

0828736

<https://www.phoenixcontact.com/pc/products/0828736>



Marker for terminal blocks, Sheet, white, unmarked, can be labeled with: BLUEMARK E.CARD, BLUEMARK ID COLOR, BLUEMARK ID, BLUEMARK CLED, THERMOMARK PRIME 2.0, THERMOMARK PRIME, THERMOMARK CARD 2.0, THERMOMARK CARD, TOPMARK NEO, TOPMARK LASER, mounting type: latching, for terminal block width: 6.2 mm, Number of individual labels: 60, text field height: 10.5 mm, text field width: 5.6 mm

# SACB- 4/3-L-M12-M8 HD - Distributor box



1197405

<https://www.phoenixcontact.com/pc/products/1197405>

## PROT-M12 FS - Sealing cap

1560251

<https://www.phoenixcontact.com/pc/products/1560251>



M12 sealing cap for unoccupied M12 plugs of the sensor/actuator cable, flush-type plugs and I/O devices in the field

---

## PROT-M8 - Screw plug

1682540

<https://www.phoenixcontact.com/pc/products/1682540>



An M8 screw plug for the unoccupied M8 sockets of the sensor/actuator cable, boxes and flush-type connectors

# SACB- 4/3-L-M12-M8 HD - Distributor box



1197405

<https://www.phoenixcontact.com/pc/products/1197405>

## TSD 04 SAC - Torque screwdriver

1208429

<https://www.phoenixcontact.com/pc/products/1208429>



Torque screwdriver, with preset torque of 0.4 Nm and 4 mm hexagonal drive for M12 connectors

---

## TSD-M 1,2NM - Torque screwdriver

1212224

<https://www.phoenixcontact.com/pc/products/1212224>



Torque screw driver, accuracy as per EN ISO 6789 standard, adjustable from 0.3 - 1.2 Nm

# SACB- 4/3-L-M12-M8 HD - Distributor box



1197405

<https://www.phoenixcontact.com/pc/products/1197405>

## TSD-M SAC-BIT ADAPTER - Adapter insert

1212600

<https://www.phoenixcontact.com/pc/products/1212600>



Adapter bit for TSD-M...torque tools, E6.3-1/4" drive with 4 mm hexagon to accommodate SAC bits

---

## SAC BIT M12-D15 - Tool

1208432

<https://www.phoenixcontact.com/pc/products/1208432>



Nut for assembling sensor/actuator cables with M12 connector and M12 connectors for assembly, with a knurl diameter of 15 mm, for 4 mm hexagonal drive

# SACB- 4/3-L-M12-M8 HD - Distributor box



1197405

<https://www.phoenixcontact.com/pc/products/1197405>

## TSD 02 SAC - Torque screwdriver

1208487

<https://www.phoenixcontact.com/pc/products/1208487>



Torque screwdriver, with preset torque of 0.2 Nm and 4 mm hexagonal drive for M8 connectors

---

## SAC BIT M8-D10 - Tool

1208461

<https://www.phoenixcontact.com/pc/products/1208461>



Nut for assembling M8 connectors with longitudinal knurl and a knurl diameter of 10 mm, for 4 mm hexagonal drive

# SACB- 4/3-L-M12-M8 HD - Distributor box



1197405

<https://www.phoenixcontact.com/pc/products/1197405>

## SACC BIT M8-D12 - Tool

1208474

<https://www.phoenixcontact.com/pc/products/1208474>



Nut for assembling M8 connectors with longitudinal knurl and a knurl diameter of 12 mm, for 4 mm hexagonal drive

---

Phoenix Contact 2025 © - all rights reserved

<https://www.phoenixcontact.com>

PHOENIX CONTACT GmbH & Co. KG

Flachsmarktstraße 8

D-32825 Blomberg

+49 (0) 5235-3 00

[info@phoenixcontact.com](mailto:info@phoenixcontact.com)