

## HDC IP68 24B TOS 1M32

Weidmüller Interface GmbH & Co. KG

Klingenbergstraße 26

D-32758 Detmold

Germany

[www.weidmueller.com](http://www.weidmueller.com)



The new RockStar® enclosures are resistant to seawater and offer a high degree of shock resistance, meet IP 68 and IP 69K, and have been developed for use under extreme environmental conditions and designed for the high vibration requirements acc. to DIN EN 61373 cat. 2 (bogie). As such, this housing family is ideally suited for fault- and maintenance-free operation of heavy-duty connectors in transport and traffic engineering as well as in power engineering and in applications with extreme requirements. During development, measures were also implemented to make the enclosures extremely EMC-resistant.

### General ordering data

Version	HDC enclosures, Installation size: 8, Protection degree: IP66, IP68, in plugged condition, Plug housing, Clamping yoke connection, Standard, Size of cable entries: M 32
Order No.	<a href="#">1082860000</a>
Type	HDC IP68 24B TOS 1M32
GTIN (EAN)	4032248846177
Qty.	1 items

## HDC IP68 24B TOS 1M32

**Weidmüller Interface GmbH & Co. KG**  
 Klingenbergstraße 26  
 D-32758 Detmold  
 Germany

www.weidmueller.com

## Technical data

### Approvals

Approvals



ROHS Conform

### Dimensions and weights

Height	110.5 mm	Height (inches)	4.3504 inch
Width	58 mm	Width (inches)	2.2835 inch
Net weight	578.16 g		

### Temperatures

Limit temperature -50 °C ... 125 °C

### Environmental Product Compliance

RoHS Compliance Status Compliant without exemption

REACH SVHC No SVHC above 0.1 wt%

Chemical resistance	Substance	Chemical resistance
	Acetone	Resistant
	Diesel oil	Unstable
	Ethyl alcohol	Resistant
	Transmission oil	Conditionally resistant
	Hydraulic oil	Conditionally resistant
	Petroleum benzine	Unstable
	Sweat	Conditionally resistant
	Premium gasoline	Unstable
	Water	Resistant
	UV	Resistant
	Ozone	Resistant

### Dimensions

Cable entry	w. thread	Total length housing	191 mm
Height of housing B	110.5 mm		

### General data

Tightening torque	6.5 Nm	Housing main material	diecast aluminium
Surface finish	Powder coating	Protection degree	IP66, IP68, in plugged condition
EMC housings	Yes	Material of locking element	Stainless steel, rust-proof

## HDC IP68 24B TOS 1M32

**Weidmüller Interface GmbH & Co. KG**  
 Klingenbergstraße 26  
 D-32758 Detmold  
 Germany

www.weidmueller.com

## Technical data

### Version

Number of cable glands	0	Size of cable entries	M 32
Top part/bottom part/lid	upper part	Cover	without cover
Tightening torque	6.5 Nm	Number of cable entry on top	1
Number of cable entry sideways	0	Design of housing	Plug housing
Design of locking system	Clamping yoke connection	Design	Standard
Installation size	8	Cable entry	w. thread
Type	Plug	Clamp version	Clamping yoke connection
Sealing	no sealing	Internal thread	M 32
Colour (RAL)	RAL 9011, RAL 9005	BG	8
Suitable for ModuPlug®	Yes		

### Classifications

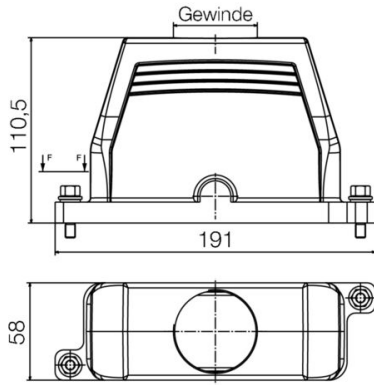
ETIM 8.0	EC000437	ETIM 9.0	EC000437
ETIM 10.0	EC000437	ECLASS 14.0	27-44-02-02
ECLASS 15.0	27-44-02-02		

**HDC IP68 24B TOS 1M32**

**Weidmüller Interface GmbH & Co. KG**  
Klingenbergstraße 26  
D-32758 Detmold  
Germany

**Drawings**

[www.weidmueller.com](http://www.weidmueller.com)



## HDC IP68 24B TOS 1M32

**Weidmüller Interface GmbH & Co. KG**  
 Klingenbergstraße 26  
 D-32758 Detmold  
 Germany

[www.weidmueller.com](http://www.weidmueller.com)

## Accessories

### Socket wrench sets



Allen key made from fully hardened, high-alloy chromium-vanadium-steel, acc. to DIN ISO 2936 L (DIN 911), high-quality refined surface.

### General ordering data

Type	SK WSD-S 1,5-10,0	Version	
Order No.	<a href="#">9008850000</a>	Mounting tool	
GTIN (EAN)	4032248266609		
Qty.	1 ST		

### Screws



We offer a variety of accessories, including screws, that fit to the heavy-duty connectors.

### General ordering data

Type	HDC IP68 SCREW SET	Version	
Order No.	<a href="#">2555340000</a>	Heavy-duty connectors, Accessories, Set of fixings	
GTIN (EAN)	4050118571332		
Qty.	10 ST		