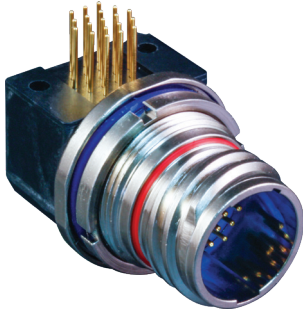


SERIES 805 TRIPLE-START ACME THREAD Mighty Mouse Connectors and Cables



Right Angle PC Tail Jam-Nut Mount PCB Header Receptacle



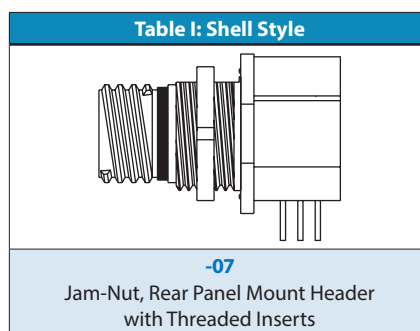
Right Angle PCB Header Receptacle Connectors offer military grade performance in a small, lightweight package. These connectors are rated for MIL-STD-810 Method 512 immersion. High temperature thermoplastic housing withstands soldering temperatures. Stainless steel threaded inserts simplify attachment to printed circuit board.

- Triple-Start ACME Thread
- Right Angle Contacts
- High Temperature Housing
- Threaded Inserts
- Environmentally Sealed

How To Order	
Sample Part Number	805-011 -07 M 8-7 S A
Series	805-011 = Right Angle PCB Header Receptacle
Shell Style	-07 = Jam-Nut, Rear Panel Mount (See Table II)
Shell Material and Finish	C = Aluminum / Black Anodize (Non-Conductive); RoHS Compliant M = Aluminum / Electroless Nickel; RoHS Compliant NF = Aluminum / Cadmium with Olive Drab Chromate ZNU = Aluminum / Zinc-Nickel with Black Chromate Z1 = Stainless Steel / Passivated; RoHS Compliant
Shell Size - Insert Arrangement	8-1, 8-4, 8-6, 8-7, 9-1, 9-10, 10-2, 10-13, 11-4, 11-19, 11-200, 12-2, 12-5, 12-201; see J-33 to J-35 for PCB footprints
Contact Type	P = Pin, PC Tail S = Socket, PC Tail
Polarization(See Table I)	A = Normal B = Pos. B C = Pos. C D = Pos. D E = Pos. E F = Pos. F

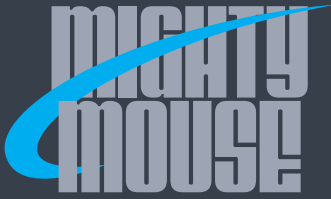
Table I: Polarization

Position	A°	B°
A (Normal)	150°	210°
B	75°	210°
C	95°	230°
D	140°	275°
E	75°	275°
F	95°	210°



NOTES

1. Torque 2-56 screws to 20-25 in/oz with Loc-Tite recommended
2. For shell sizes 11 and 12, 2-56 start of thread is .150 +.000/-.050 below surface and mounting hole depth is .350
3. For shell sizes 8-10, 2-56 start of thread is .100 +.000/-.050 below surface
4. See page J-11 for recommended panel cut-outs
5. Material and Finish
 - Shell, jam-nut: aluminum alloy or CRES / see how to order table
 - Insulator: High Grade Rigid Dielectric / N.A.
 - Interfacial seal, O-ring: fluorosilicone / N.A.
 - Contact: copper alloy / gold plate per ASTM B 488, Type II, Code C, Class 1.25, over suitable underplate
 - Potting compound: epoxy / N.A.

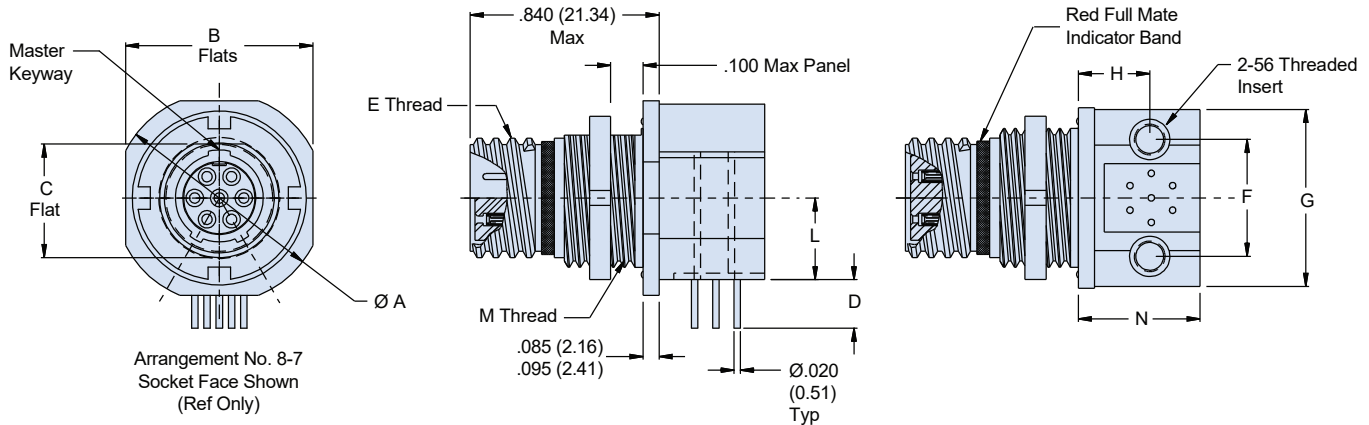


SERIES 805 TRIPLE-START ACME THREAD Mighty Mouse Connectors and Cables



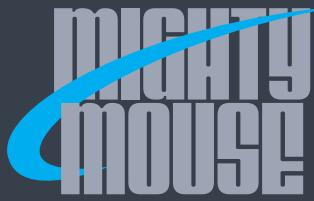
Right Angle PC Tail Jam-Nut Mount PCB Header Receptacle

JAM-NUT MOUNT RECEPTACLE - SHELL STYLE 07



Dimensions											
Shell Size	A	B	C ± .002 (0.05)	D ± .035 (0.89)	E Thread .1P-.3L- TS	F	G	H	L	M Thread	N
8-1	.760 (19.30)	.730 (18.54)	.536 (13.61)	.292 (7.42)	.5000	.385 (9.78)	.589 (14.96)	.385 (9.78)	.225 (5.72)	.5625-28 UN-2A	.435 (11.05)
8-23	.760 (19.30)	.730 (18.54)	.536 (13.61)	.305 (7.75)	.5000	.385 (9.78)	.385 (9.78)	.385 (9.78)	.225 (5.72)	.5625-28 UN-2A	.435 (11.05)
8-4	.760 (19.30)	.730 (18.54)	.536 (13.61)	.292 (7.42)	.5000	.385 (9.78)	.589 (14.96)	.314 (7.98)	.225 (5.72)	.5625-28 UN-2A	.435 (11.05)
8-6	.760 (19.30)	.730 (18.54)	.536 (13.61)	.265 (6.73)	.5000	.408 (10.36)	.589 (14.96)	.277 (7.04)	.225 (5.72)	.5625-28 UN-2A	.435 (11.05)
8-7	.760 (19.30)	.730 (18.54)	.536 (13.61)	.265 (6.73)	.5000	.408 (10.36)	.589 (14.96)	.277 (7.04)	.225 (5.72)	.5625-28 UN-2A	.435 (11.05)
9-1	.880 (22.35)	.850 (21.59)	.662 (16.81)	.273 (6.93)	.5625	.452 (11.48)	.710 (18.03)	.260 (6.60)	.296 (7.52)	.6875-28 UN-2A	.435 (11.05)
9-10	.880 (22.35)	.850 (21.59)	.662 (16.81)	.273 (6.93)	.5625	.452 (11.48)	.710 (18.03)	.260 (6.60)	.296 (7.52)	.6875-28 UN-2A	.435 (11.05)
10-2	.880 (22.35)	.850 (21.59)	.664 (16.87)	.305 (7.75)	.6250	.490 (12.45)	.710 (18.03)	.320 (8.13)	.320 (8.13)	.6875-28 UN-2A	.580 (14.73)
10-13	.880 (22.35)	.850 (21.59)	.662 (16.81)	.305 (7.75)	.6250	.490 (12.45)	.710 (18.03)	.320 (8.13)	.320 (8.13)	.6875-28 UN-2A	.580 (14.73)
11-4	.952 (24.18)	.925 (23.50)	.722 (18.34)	.24 (6.10)	.6875	.600 (15.24)	.800 (20.32)	.432 (10.97)	.362 (9.19)	.7500-28 UN-2A	.580 (14.73)
11-19	.952 (24.18)	.925 (23.50)	.722 (18.34)	.275 (6.99)	.6875	.600 (15.24)	.800 (20.32)	.432 (10.97)	.362 (9.19)	.7500-28 UN-2A	.580 (14.73)
11-200	.952 (24.18)	.925 (23.50)	.722 (18.34)	.255 (6.48)	.6875	.600 (15.24)	.800 (20.32)	.432 (10.97)	.362 (9.19)	.7500-28 UN-2A	.580 (14.73)
12-2	1.06 (26.92)	1.035 (26.29)	.784 (19.91)	.299 (7.59)	.7500	.640 (16.26)	.840 (21.34)	.447 (11.35)	.397 (10.08)	.8125-28 UN-2A	.660 (16.76)
12-5	1.06 (26.92)	1.035 (26.29)	.784 (19.91)	.255 (6.48)	.7500	.640 (16.26)	.840 (21.34)	.447 (11.35)	.397 (10.08)	.8125-28 UN-2A	.660 (16.76)
12-201	1.06 (26.92)	1.035 (26.29)	.784 (19.91)	.294 (7.47)	.7500	.640 (16.26)	.840 (21.34)	.447 (11.35)	.397 (10.08)	.8125-28 UN-2A	.660 (16.76)

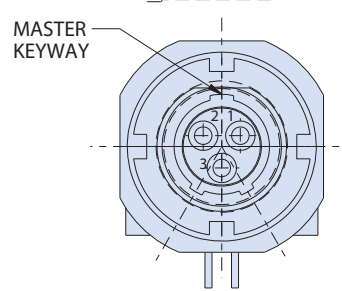
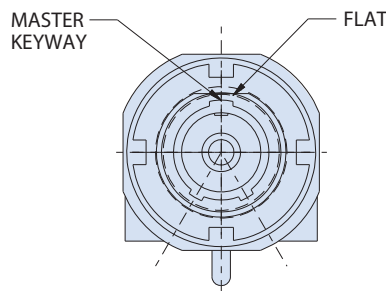
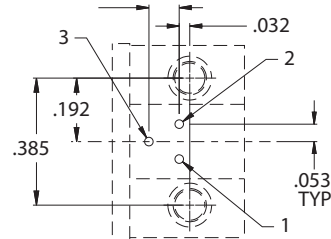
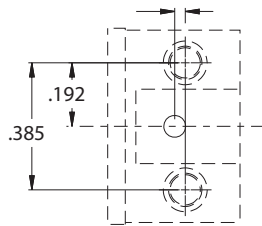
SERIES 805 TRIPLE-START ACME THREAD



SERIES 805 TRIPLE-START ACME THREAD Mighty Mouse Connectors and Cables

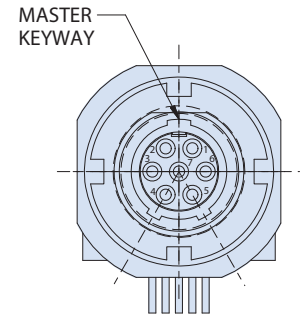
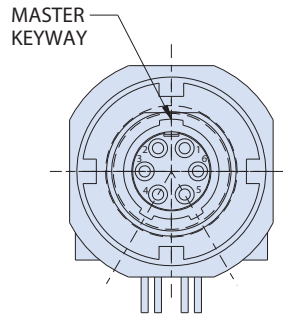
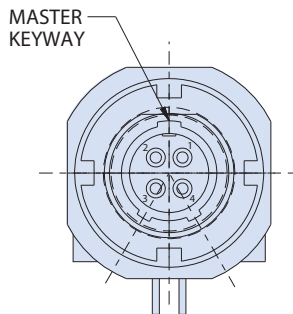
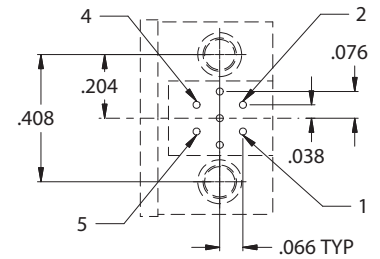
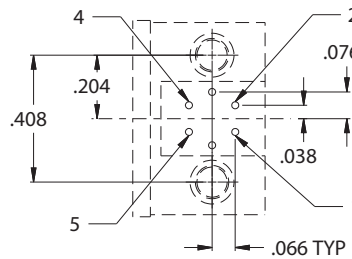
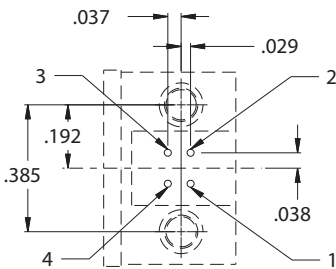


Right Angle PC Tail Jam-Nut Mount PCB Header Receptacle; PCB Footprints



ARRANGEMENT NO. 8-1
(1 #16 CONTACT)
SOCKET FACE SHOWN
(PIN FACE OPPOSITE)

ARRANGEMENT NO. 8-23
(3 #20HD CONTACTS)
SOCKET FACE SHOWN
(PIN FACE OPPOSITE)

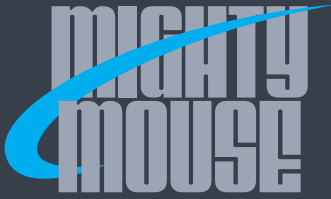


ARRANGEMENT NO. 8-4
(4 #23 CONTACTS)
SOCKET FACE SHOWN
(PIN FACE OPPOSITE)

ARRANGEMENT NO. 8-6
(6 #23 CONTACTS)
SOCKET FACE SHOWN
(PIN FACE OPPOSITE)

ARRANGEMENT NO. 8-7
(7 #23 CONTACTS)
SOCKET FACE SHOWN
(PIN FACE OPPOSITE)

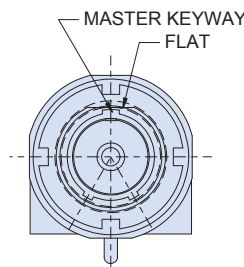
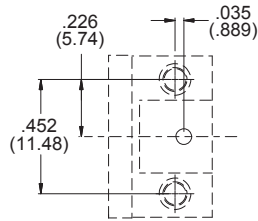
SERIES 805 TRIPLE-START ACME THREAD



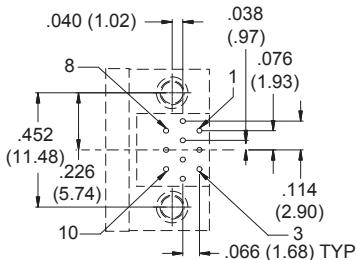
SERIES 805 TRIPLE-START ACME THREAD Mighty Mouse Connectors and Cables



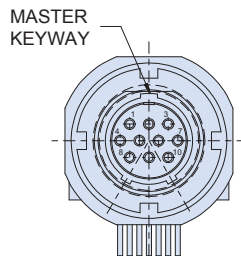
Right Angle PC Tail Jam-Nut Mount PCB Header Receptacle; PCB Footprints



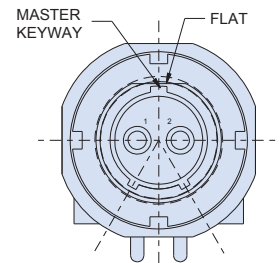
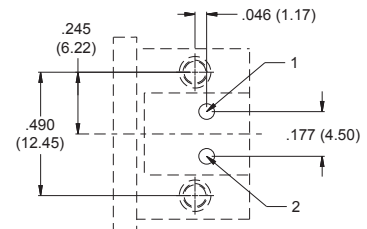
ARRANGEMENT NO. 9-1
(1 #12 CONTACT)
SOCKET FACE SHOWN
(PIN FACE OPPOSITE)



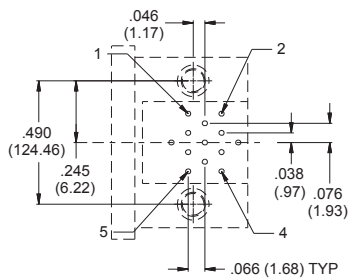
PCB FOOTPRINT



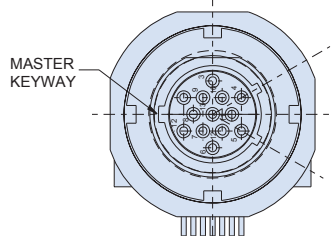
ARRANGEMENT NO. 9-10
(10 #23 CONTACTS)
SOCKET FACE SHOWN
(PIN FACE OPPOSITE)



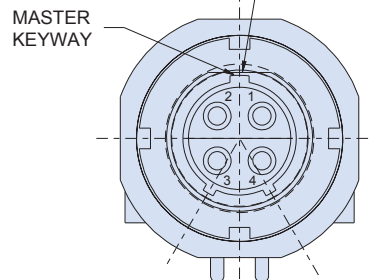
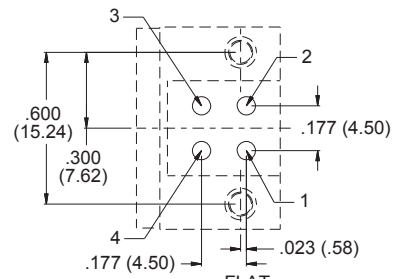
ARRANGEMENT NO. 10-2
(2 #16 CONTACTS)
SOCKET FACE SHOWN
(PIN FACE OPPOSITE)



PCB FOOTPRINT

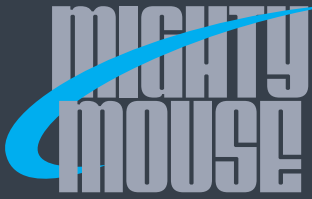


ARRANGEMENT NO. 10-13
(13 #23 CONTACTS)
SOCKET FACE SHOWN
(PIN FACE OPPOSITE)



ARRANGEMENT NO. 11-4
(4 #16 CONTACTS)
SOCKET FACE SHOWN
(PIN FACE OPPOSITE)

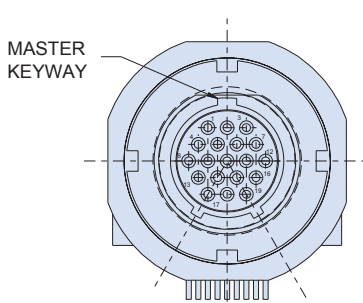
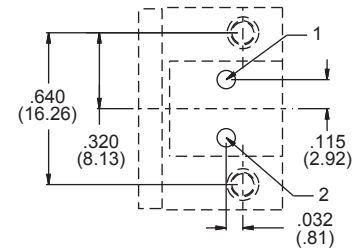
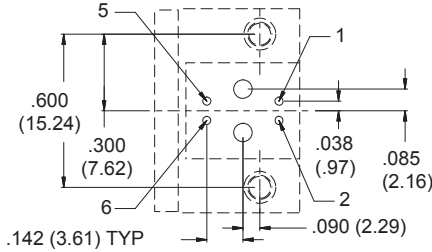
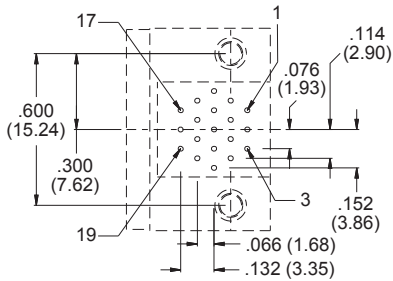
SERIES 805 TRIPLE-START ACME THREAD



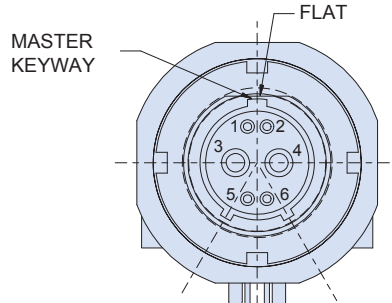
SERIES 805 TRIPLE-START ACME THREAD Mighty Mouse Connectors and Cables



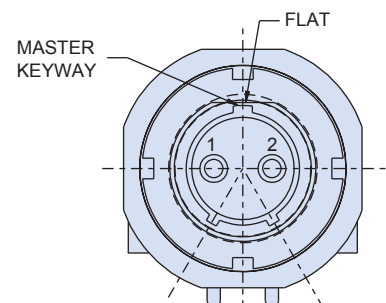
Right Angle PC Tail Jam-Nut Mount PCB Header Receptacle; PCB Footprints



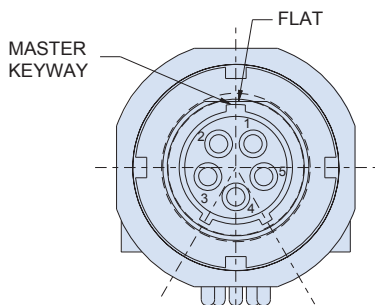
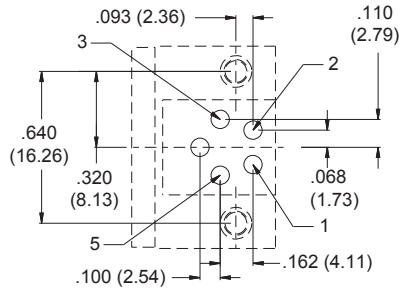
ARRANGEMENT NO. 11-19
(19 #23 CONTACTS)
SOCKET FACE SHOWN



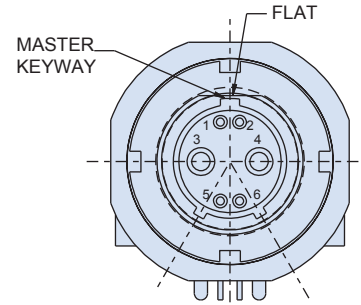
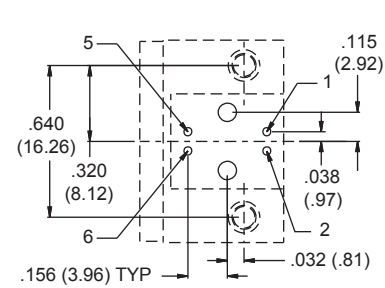
ARRANGEMENT NO. 11-200
(2 #16, 4 #23 CONTACTS)
PIN FACE OPPOSITE



ARRANGEMENT NO. 12-2
(2 #12 CONTACTS)
SOCKET FACE SHOWN



ARRANGEMENT NO. 12-5
(5 #16 CONTACTS)
SOCKET FACE SHOWN



ARRANGEMENT NO. 12-201
(2 #12, 4 #23 CONTACTS)
SOCKET FACE SHOWN
(PIN FACE OPPOSITE)

SERIES 805 TRIPLE-START ACME THREAD