

SACC-M 8FR-4CON-M - Connector



1513444

<https://www.phoenixcontact.com/us/products/1513444>

Please be informed that the data shown in this PDF document is generated from our online catalog. Please find the complete data in the user documentation. Our general terms of use for downloads are valid.

Connector, Universal, 4-position, Socket angled M8, coding: A, Solder connection, knurl material: Brass, nickel-plated, external cable diameter 3.5 mm ... 5 mm



Your advantages

- Safe use in the field, thanks to a high degree of protection

Commercial data

Item number	1513444
Packing unit	1 pc
Minimum order quantity	1 pc
Sales key	BF35
Product key	BF2BIA
Catalog page	Page 18 (C-2-2019)
GTIN	4017918911577
Weight per piece (including packing)	9.57 g
Weight per piece (excluding packing)	9 g
Customs tariff number	85366990
Country of origin	DE

SACC-M 8FR-4CON-M - Connector



1513444

<https://www.phoenixcontact.com/us/products/1513444>

Technical data

Notes

Assembly note	NOTE: Observe the permissible bending radii when laying conductors, since the degree of protection may be put in jeopardy if the bending forces are too high. Alleviate mechanical loads upstream of the connector, e.g. by using cable ties.
---------------	--

Mounting

Assembly note	The connector pin assignment can be rotated 90° to the cable outlet
---------------	---

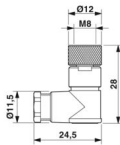
Product properties

Product type	Circular connector (cable-side)
Sensor type	Universal
Number of positions	4
No. of cable outlets	1
Shielded	no
Coding	A
Cable outlet	angled

Insulation characteristics

Overvoltage category	II
Degree of pollution	3

Dimensions

Dimensional drawing	
Length	28 mm

External dimensions

Outside diameter	3.5 mm ... 5 mm
------------------	-----------------

Housing

Diameter housing	12 mm
------------------	-------

Material specifications

Flammability rating according to UL 94	HB
Seal material	NBR
Material of grip body	PBT
Contact material	CuZn
Contact surface material	Au

SACC-M 8FR-4CON-M - Connector



1513444

<https://www.phoenixcontact.com/us/products/1513444>

Contact carrier material	PA
Material for screw connection	Brass, nickel-plated

Connection data

Conductor connection

Connection method	Solder connection
Connection cross section	0.08 mm ² ... 0.25 mm ² (flexible)
	0.08 mm ² ... 0.25 mm ² (solid)
Connection cross section AWG	28 ... 24 (flexible)
	28 ... 24 (solid)
Stripping length of the individual wire	3 mm
Tightening torque	0.2 Nm (M8 knurl)

Electrical properties

Rated surge voltage	0.8 kV
Contact resistance	≤ 3 mΩ
Insulation resistance	≥ 100 MΩ
Nominal voltage U _N	30 V AC
	30 V DC
Nominal current I _N	4 A

Mechanical properties

Mechanical data

Insertion/withdrawal cycles	≥ 100
-----------------------------	-------

Connector

Connection 1

Head design	Socket
Head cable outlet	angled
Head thread type	M8
Coding	A

Cable/line

Signal type/category	Universal
Stripping length of the individual wire	3 mm

Environmental and real-life conditions

Ambient conditions

Degree of protection	IP67
Ambient temperature (operation)	-40 °C ... 85 °C

Standards and regulations

SACC-M 8FR-4CON-M - Connector



1513444

<https://www.phoenixcontact.com/us/products/1513444>

M8

Standard designation	M8 connector
Standards/specifications	IEC 61076-2-104

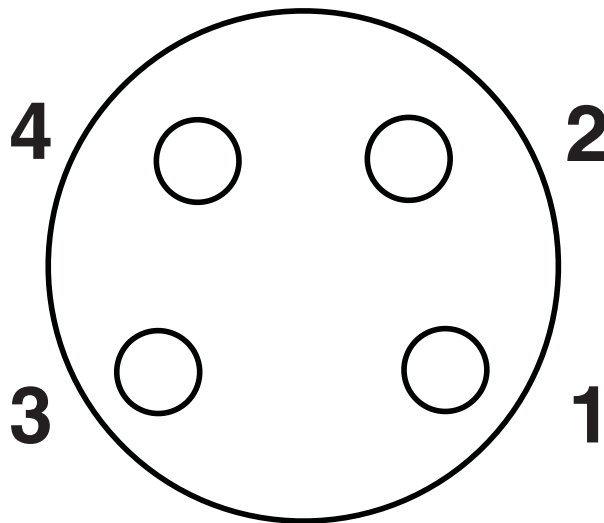
SACC-M 8FR-4CON-M - Connector

1513444

<https://www.phoenixcontact.com/us/products/1513444>

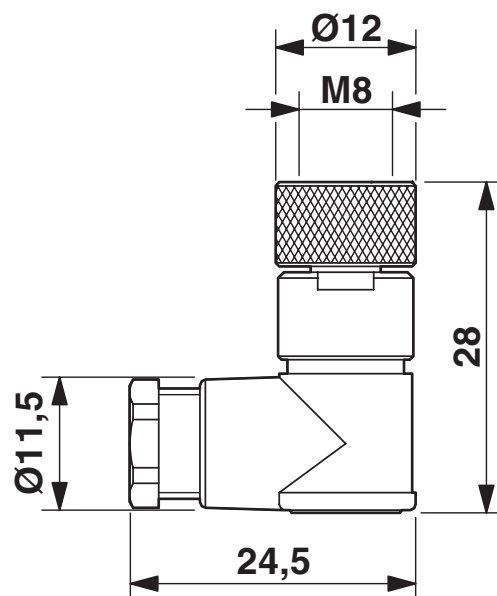
Drawings

Schematic diagram



Pin assignment M8 socket, 4-pos.

Dimensional drawing



Socket M8 x 1, angled

SACC-M 8FR-4CON-M - Connector





1513444

<https://www.phoenixcontact.com/us/products/1513444>

Approvals

To download certificates, visit the product detail page: <https://www.phoenixcontact.com/us/products/1513444>

 UL Listed Approval ID: FILE E 221474				
	Nominal voltage U_N	Nominal current I_N	Cross section AWG	Cross section mm^2
	30 V	4 A	-	-

 cUL Listed Approval ID: FILE E 221474				
	Nominal voltage U_N	Nominal current I_N	Cross section AWG	Cross section mm^2
	30 V	4 A	-	-

cULus Listed				
---------------------	--	--	--	--

SACC-M 8FR-4CON-M - Connector



1513444

<https://www.phoenixcontact.com/us/products/1513444>

Classifications

ECLASS

ECLASS-11.0	27440102
ECLASS-12.0	27440116
ECLASS-13.0	27440116

ETIM

ETIM 9.0	EC002635
----------	----------

UNSPSC

UNSPSC 21.0	39121400
-------------	----------

SACC-M 8FR-4CON-M - Connector



1513444

<https://www.phoenixcontact.com/us/products/1513444>

Environmental product compliance

EU RoHS

Fulfills EU RoHS substance requirements	Yes
Exemption	6(c)

China RoHS

Environment friendly use period (EFUP)	EFUP-50
	An article-related China RoHS declaration table can be found in the download area for the respective article under "Manufacturer declaration". For all articles with EFUP-E, no China RoHS declaration table issued and required.

EU REACH SVHC

REACH candidate substance (CAS No.)	Lead(CAS: 7439-92-1)
SCIP	24298b9c-9869-4853-8d82-09ba54ebd7e5

SACC-M 8FR-4CON-M - Connector

1513444

<https://www.phoenixcontact.com/us/products/1513444>



Accessories

SACC-M 8-SET/2,2-3,5 - Connector

1436945

<https://www.phoenixcontact.com/us/products/1436945>



Sensor/actuator connector, accessories, pressure screw and seal, for unshielded M8 connector, cable diameter 2.2 mm - 3.5 mm

PROT-M 8 MS-PA-CHAIN - Screw plug

1430860

<https://www.phoenixcontact.com/us/products/1430860>



M8 sealing cap made of plastic with fixing band for sensor cables, for M8 sockets

SACC-M 8FR-4CON-M - Connector

1513444

<https://www.phoenixcontact.com/us/products/1513444>



SAC-4P-100,0-PUR/0,25 - Cable reel

1501692

<https://www.phoenixcontact.com/us/products/1501692>



By the meter, Cable reel, PUR halogen-free, black-gray RAL 7021, 4-wire, color single wire: brown, white, blue, black, cable length: 100 m

TSD 02 SAC - Torque screwdriver

1208487

<https://www.phoenixcontact.com/us/products/1208487>



Torque screwdriver, with preset torque of 0.2 Nm and 4 mm hexagonal drive for M8 connectors

SACC-M 8FR-4CON-M - Connector



1513444

<https://www.phoenixcontact.com/us/products/1513444>

SACC BIT M8-D12 - Tool

1208474

<https://www.phoenixcontact.com/us/products/1208474>



Nut for assembling M8 connectors with longitudinal knurl and a knurl diameter of 12 mm, for 4 mm hexagonal drive

TSD-M 1,2NM - Torque screwdriver

1212224

<https://www.phoenixcontact.com/us/products/1212224>



Torque screw driver, accuracy as per EN ISO 6789 standard, adjustable from 0.3 - 1.2 Nm

SACC-M 8FR-4CON-M - Connector

1513444

<https://www.phoenixcontact.com/us/products/1513444>



TSD-M SAC-BIT ADAPTER - Adapter insert

1212600

<https://www.phoenixcontact.com/us/products/1212600>



Adapter bit for TSD-M...torque tools, E6.3-1/4" drive with 4 mm hexagon to accommodate SAC bits

Phoenix Contact 2024 © - all rights reserved

<https://www.phoenixcontact.com>

Phoenix Contact USA
586 Fulling Mill Road
Middletown, PA 17057, United States
(+717) 944-1300
info@phoenixcon.com