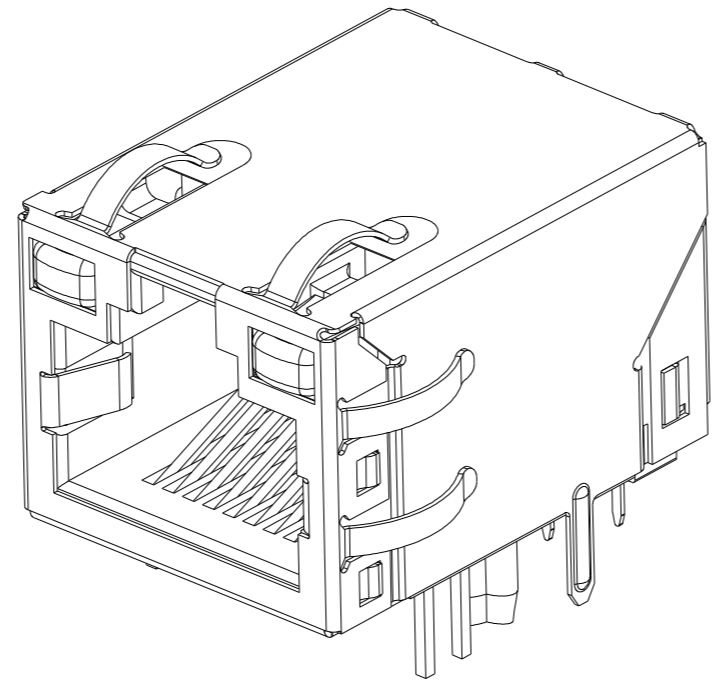
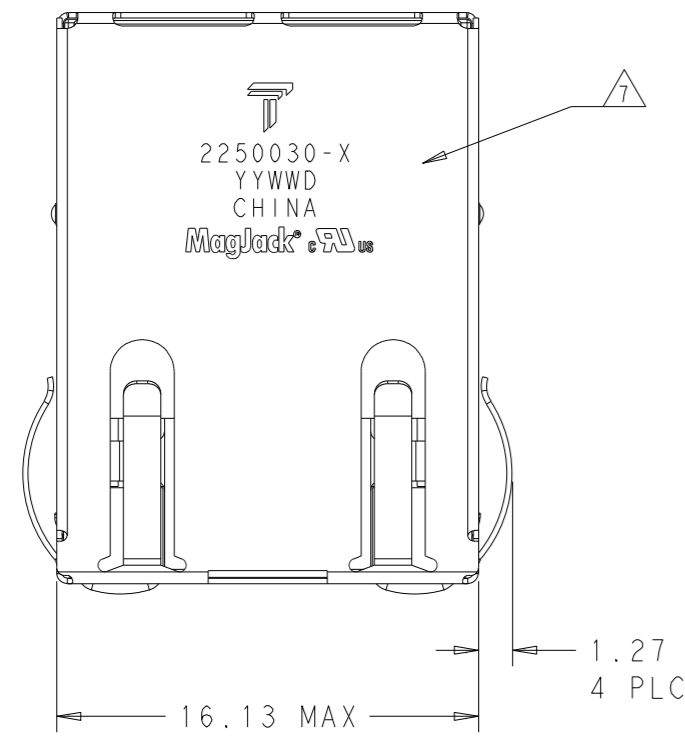


REVISIONS				
#	DATE	DESCRIPTION	BY	APPV
3	21JAN2015	EC-1411035 COMPANY LOGO CHANGE	DP	TY



1. MATERIALS
- HOUSING: THERMOPLASTIC, FLAMMABILITY RATING UL 94V-0.
 - SHIELD: BRASS 0.20mm THICK, PREPLATED WITH 0.76um MIN SEMI-BRIGHT NICKEL. SOLDER TABS POST DIPPED WITH 2.54um MIN SAC SOLDER.
 - CONTACTS: PHOSPHOR BRONZE 0.46mm X 0.30mm, PHOSPHOR BRONZE, 1.27um MIN NICKEL UNDERPLATE, WITH 1.27um MIN GOLD PLATING AT MATING INTERFACE AND 2.54um MIN MATTE TIN ON SOLDER TAILS, OR 1.27um MIN NICKEL UNDERPLATE, WITH 0.05um GOLD PLATING OVER 0.76um MIN PALLADIUM NICKEL PLATING AT MATING INTERFACE AND 2.54um MIN MATTE TIN ON SOLDER TAILS.
 - SOLDER TAILS: 0.25mm THICK, PHOSPHOR BRONZE, 1.27um MIN OVERALL NICKEL UNDERPLATE, 3um TIN PLATE
 - LIGHT EMITTING DIODE (LED): DIFFUSED EPOXY LENS, 0.5mm X 0.5mm CARBON STEEL WIREFRAME LEADS PREPLATED WITH 2.03um MIN. SILVER PLATE OVER 1.02um MIN. NICKEL OVER 1.02um MIN. COPPER UNDERPLATE; LEADS POST-PLATED WITH 3.05um MIN. MATTE TIN, AND TIP TIN DIPPING

2. RJ45 JACK CAVITY CONFORMS TO FCC RULES AND REGULATIONS PART 68 SUB PART F.

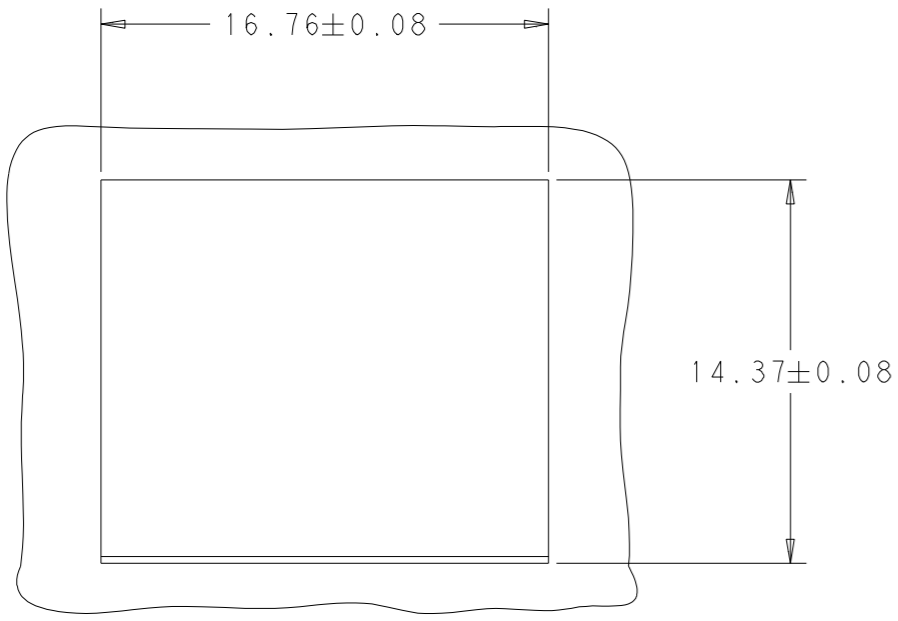
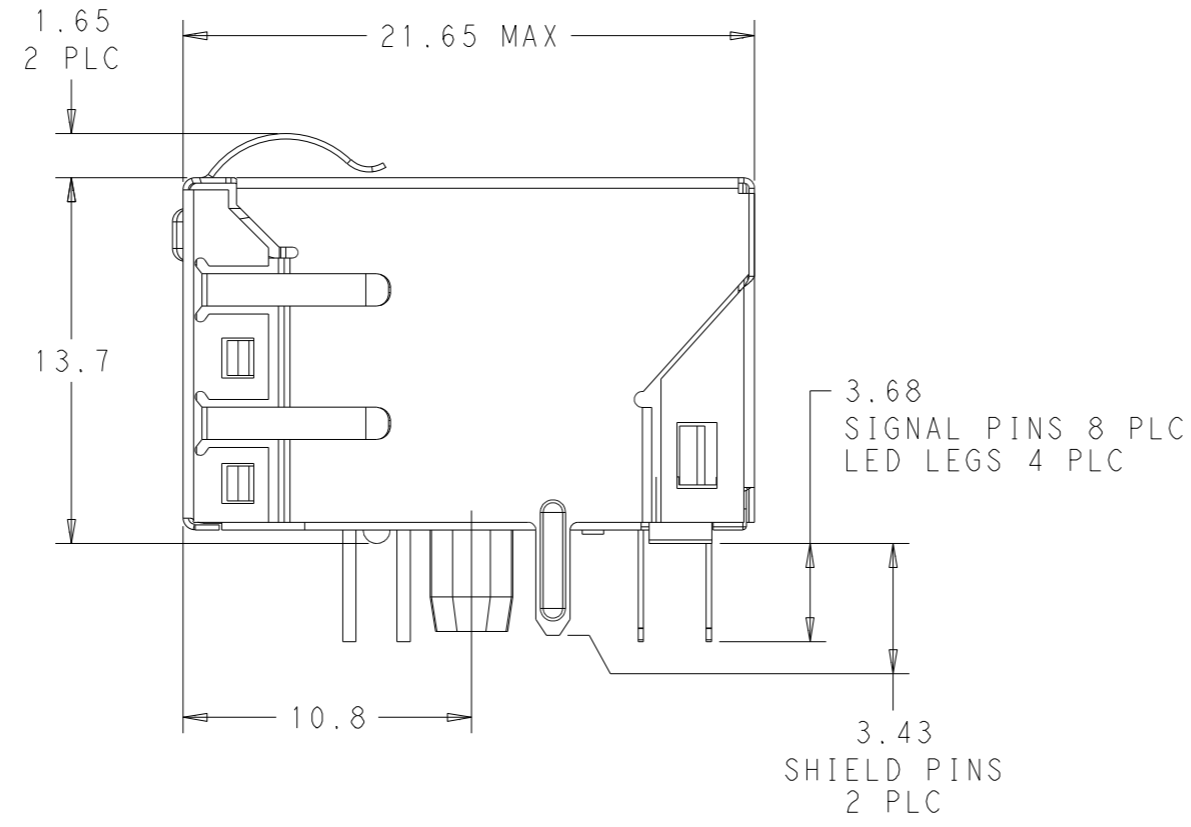
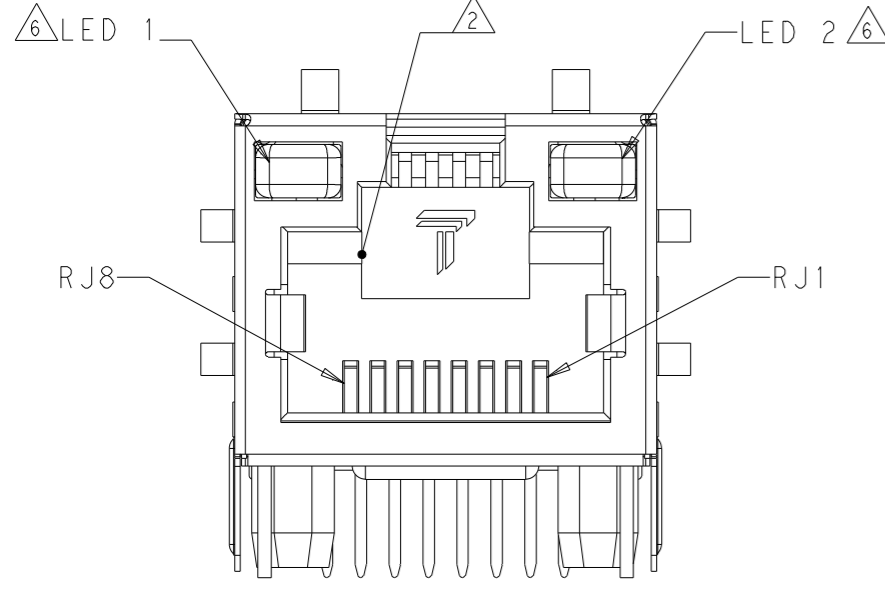
3. MAGNETICS
- APPLICATION: 10/100 BASE-T
 - IMPEDANCE: 100 OHMS
 - TURNS RATIO (CHIP:CABLE): TX = 1:1, RX = 1:1
 - OPEN CIRCUIT INDUCTANCE (OCL): 350uH MIN @100kHz, 0.1VRMS, 8mADC BIAS FROM 0°C TO +70°C, TX AND RX
 - PERFORMANCE @ 25°C:
 - INSERTION LOSS (IL): 1.1dB MAX FROM 0.5MHz TO 100MHz
 - RETURN LOSS (RL): 18dB MIN FROM 0.5MHz TO 30MHz
 - 18-20LOG(f/30)dB MIN FROM 30.1MHz TO 60MHz
 - 12dB MIN FROM 60.1MHz TO 80MHz
 - CROSSTALK ATTENUATION: 35dB MIN FROM 0.5MHz TO 40MHz
 - 33-20LOG(f/50)dB MIN FROM 40.1MHz TO 100MHz
 - COMMON MODE REJECTION RATIO (CMRR): 30dB MIN FROM 0.5MHz TO 100MHz
 - ISOLATION VOLTAGE: 2250VDC FOR 60 SECONDS WITH A RISE TIME OF 500 V/SEC
4. OPERATING TEMPERATURE: FROM 0°C TO +70°C.

5. INDICATED MAGNETIC CONNECTIONS ARE SYMMETRICAL TO SUPPORT AUTO-MDI/MDIX.

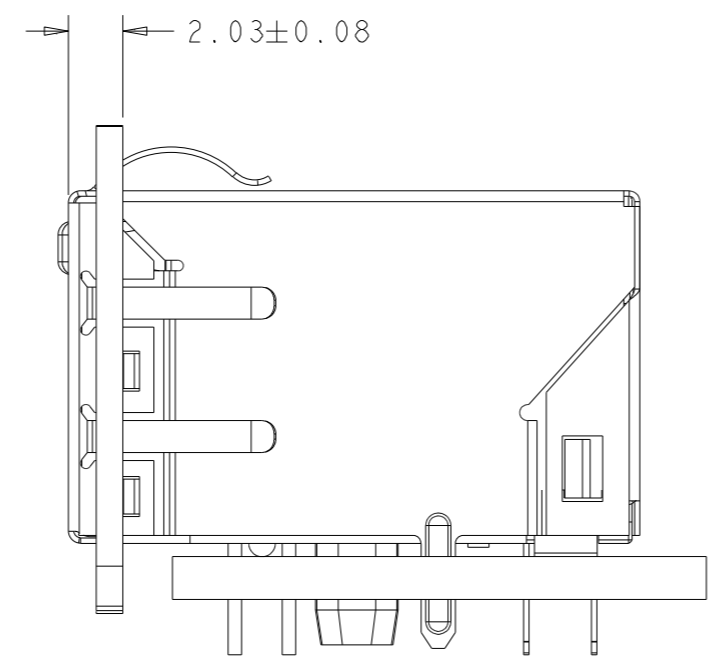
6. THE 250 OHM LED RESISTORS ARE OPTIONAL, PLEASE SEE CHART FOR PRESENCE OR ABSENCE OF RESISTORS.
- IF LEDS WITHOUT 250 OHM RESISTORS. LEDS ARE DRIVEN WITH CONSTANT CURRENT AT APPROX 20mA
- LED COLOR: DOMINATE WAVELENGTH (λD): GREEN 568 nm TYP. AT IF = 20mA
 FORWARD VOLTAGE (VF): GREEN 2.2V TYP. at IF = 20mA
 DOMINATE WAVELENGTH (λD): YELLOW 588 nm TYP. AT IF = 20mA
 FORWARD VOLTAGE (VF): YELLOW 2.1V TYP. at IF = 20mA
- IF LEDS WITH 250 OHM RESISTORS. LEDS ARE DRIVEN WITH 5V VOLTAGE AND THE MAX OPERATING CURRENT IS 20mA
- LED COLOR: DOMINATE WAVELENGTH (λD): GREEN 568 nm TYP. @ VF=5V
 FORWARD CURRENT (IF): GREEN 12mA TYP @ VF = 5V
 DOMINATE WAVELENGTH (λD): YELLOW 588 nm TYP. @ VF=5V
 FORWARD CURRENT (IF): YELLOW 13mA TYP @ VF = 5V

7. TRP CONNECTOR LOGO, PART NUMBER, DATE CODE, COUNTRY OF ORIGIN AND AGENCY APPROVAL MARKING IN APPROXIMATE LOCATION SHOWN.

8. PART SHOULD BE RECOMMENDED FOR WAVE SOLDERING PROCESS, PREHEAT TEMPERATURE IS 120°C TO 160°C, 120 SECONDS TO 180 SECONDS, PEAK WAVE SOLDERING TEMPERATURE IS 260°C MAX, 10 SECONDS MAX.



SUGGESTED PANEL CUTOUT



YES	NO	GREEN	-	YELLOW	-	2250030-3
NO	YES	GREEN	-	GREEN	-	2250030-2
NO	YES	GREEN	YELLOW	GREEN	YELLOW	2250030-1
LED RESISTOR	2kV CAPACITOR	9	10	11	12	PART NUMBER
		LED 1		LED 2		

THIS DRAWING IS A CONTROLLED DOCUMENT.

ROY LIU 03JUN2013
 TOWER YU / FRANK LIU 03JUN2013
 TONY YUAN 03JUN2013

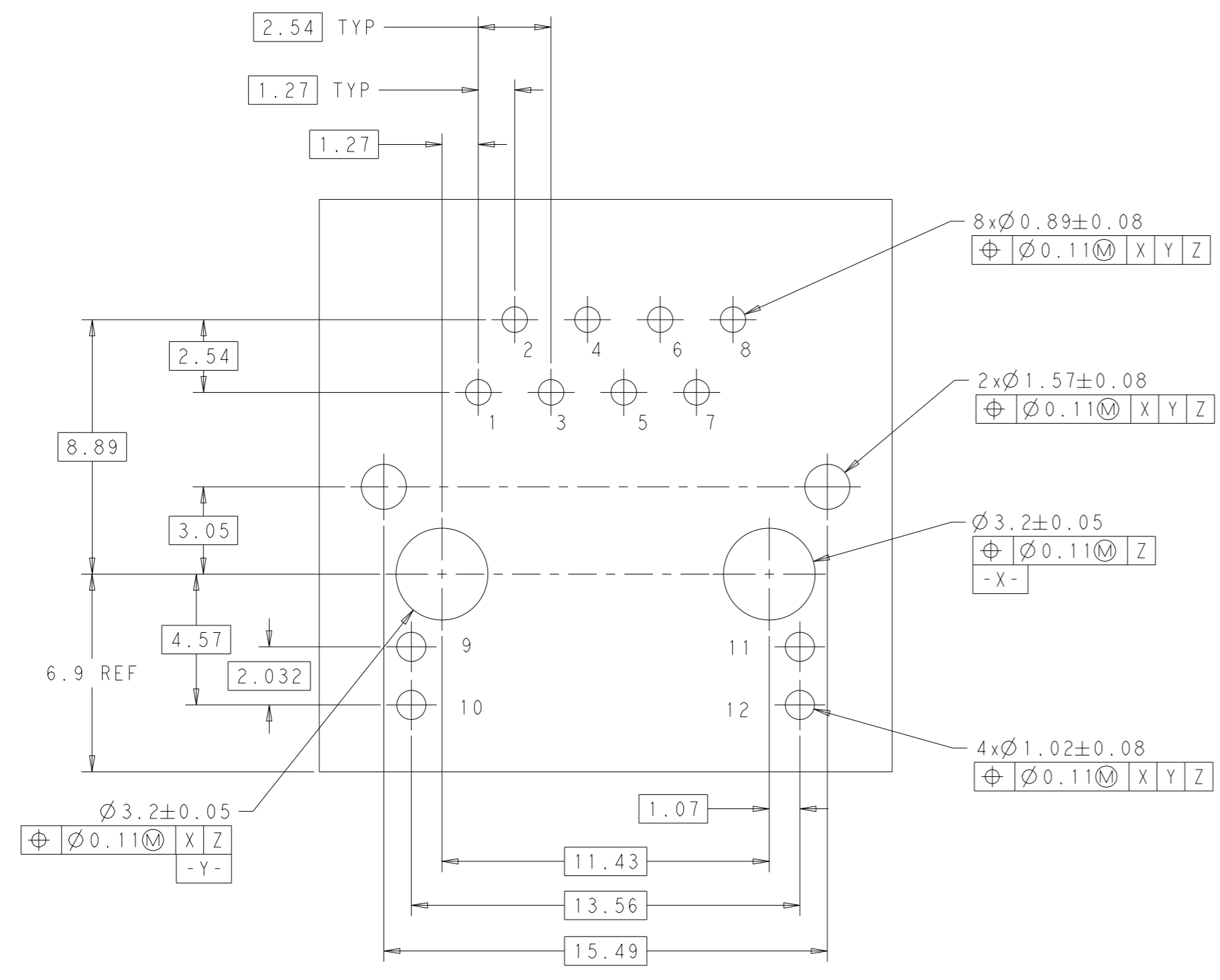
TRP CONNECTOR
 a bel group
 DONGGUAN CHINA

MODEL NAME: MAGJACK
 DESC: 1X1 726PI 10/100 TAB UP W/ LED

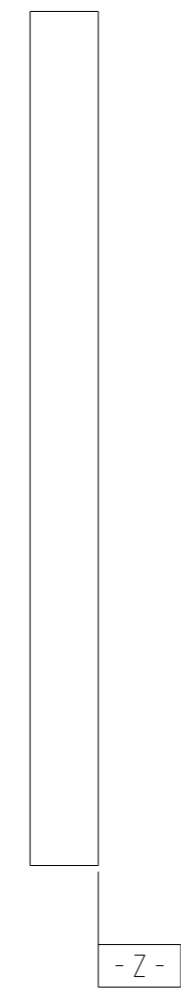
SIZE: A1
 CAGE CODE: -
 DRAWING NO: C=2250030
 RESTRICTED TO: -

PRODUCT SPEC: -
 APPLICATION SPEC: -

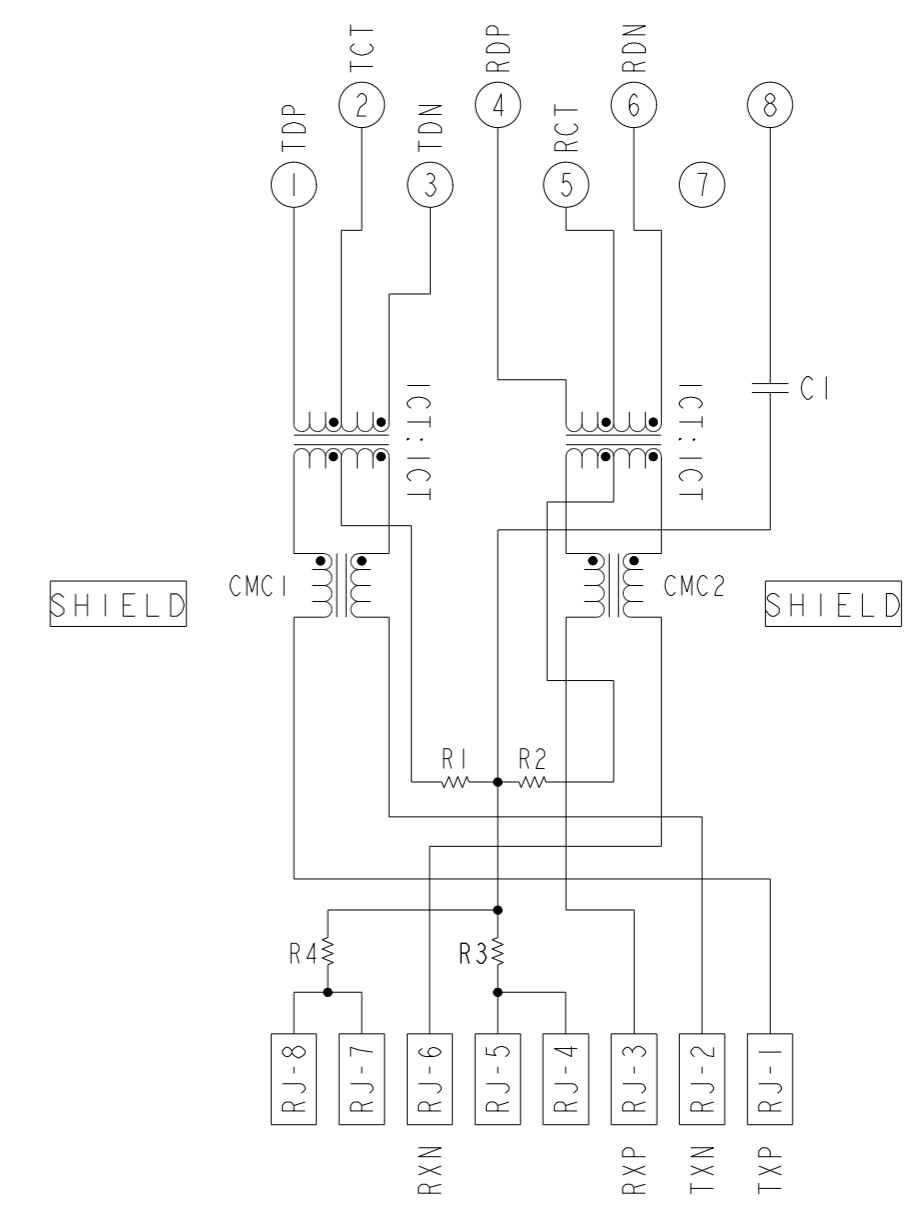
CUSTOMER DRAWING
 SCALE: 4:1
 SHEET: 1 OF 3
 REV: 3



SUGGESTED PCB LAYOUT



726PI SERIES MAGNETIC CIRCUIT $\triangle_3 \triangle_5$




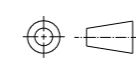
C1=1000pF, 2kV CAPACITOR
 R1-R4 = 75 OHMS, RESISTORS

THIS DRAWING IS A CONTROLLED DOCUMENT.		DWN ROY LIU 03JUN2013 CHK TOWER YU/ FRANK LIU 03JUN2013 APVD TONY YUAN 03JUN2013	DONGGUAN CHINA
DIMENSIONS: mm	TOLERANCES UNLESS OTHERWISE SPECIFIED: 0 PLC ±0.25 1 PLC ±0.25 2 PLC ±0.25 3 PLC ±0.25 4 PLC ±0.25 ANGLES ±°	MODEL NAME MAGJACK	
PRODUCT SPEC	APPLICATION SPEC	SINGLE NON-POE	SIZE A1 CAGE CODE DRAWING NO. C=2250030 RESTRICTED TO CUSTOMER DRAWING
		SCALE 4:1	SHEET 2 OF 3
			REV 3

C_2250030					STOCK DISPOSITION			
REVISION HISTORY					A: CONTINUE AS IS B: REWORK C: SCRAP		D: USE OLD FIRST E: PARTS TO CONFORM F: OTHER	
DATE	REV	CHANGES	REASON	APPROVAL	INVENTORY (A,B,C,D,E,F)	WORK IN PROCESS (A,B,C,F)	SUPPLIER ORDERS (A,E,F)	OPEN CUST ORDERS (A,E,F)
03JUN2013	1	-	INITIAL RELEASE	TONY YUAN	-	-	-	-
28AUG2014	2	SHEET 1, C6: CHANGE 1.27 TO 1.65	PRODUCT IMPROVEMENT	TONY YUAN	-	-	-	-
21JAN2015	3	EC-1411035 COMPANY LOGO CHANGE	MARKET REQUEST	TONY YUAN	-	-	-	-

Additional Resources: [Product Page](#) [3D Model](#) [Technical Documentation](#)

A

THIS DRAWING IS A CONTROLLED DOCUMENT.		DWN ROY LIU 03JUN2013		 trp CONNECTOR <small>a bel group</small>		DONGGUAN CHINA	
DIMENSIONS: mm		TOLERANCES UNLESS OTHERWISE SPECIFIED:				CHK TOWER YU/ FRANK LIU 03JUN2013 APVD TONY YUAN 03JUN2013	
		0 PLC ±0.25 1 PLC ±0.25 2 PLC ±0.25 3 PLC ±0.25 4 PLC ±0.25 ANGLES ±°		MODEL NAME		SIZE CAGE CODE DRAWING NO RESTRICTED TO	
PRODUCT SPEC		APPLICATION SPEC		MAGJACK		A 1	
				SINGLE NON-POE		C=2250030	
				CUSTOMER DRAWING		SCALE 4:1 SHEET 3 OF 3 REV 3	