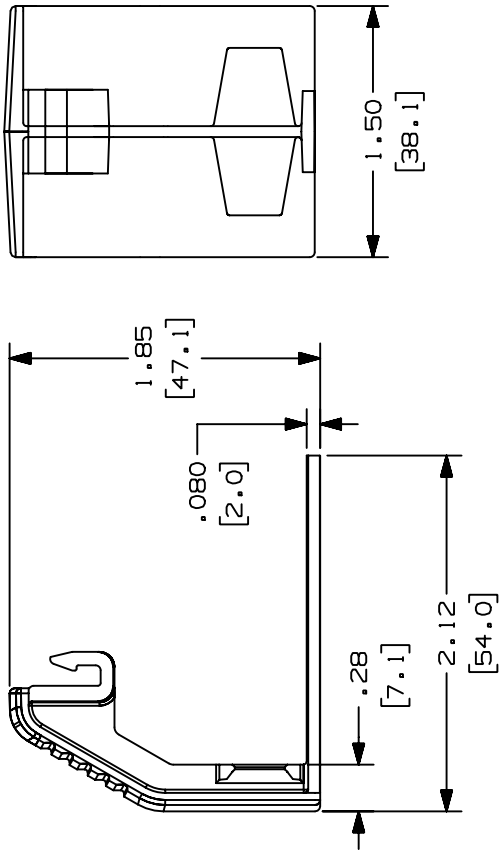


THIS COPY IS PROVIDED ON A RESTRICTED BASIS AND IS NOT TO BE USED IN ANY WAY DETRIMENTAL TO THE INTERESTS OF PANDUIT CORP.

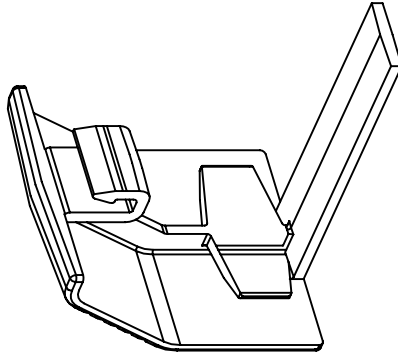
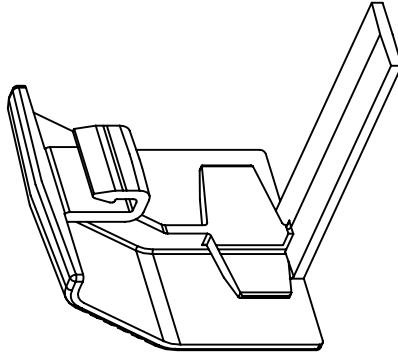


PANDUIT P/N	WEIGHT
T70BC	1.95 LBS/10 PCS. (889g/10 PCS.)



NOTES:

- SEE CURRENT CATALOG FOR ADDITIONAL PART SUFFIXES TO INDICATE COLOR AND OR PACKAGE QUANTITY.
- THIS PRODUCT IS INTENDED TO BE USED WITH PANDUIT TYPE T-70 RACEWAY.
- DIMENSIONS IN PARENTHESIS ARE IN METRIC.
- T70BC CONSISTS OF (2) T70CB FITTINGS.



CAD FILENAME/LAYERS D35541BU_T70CB_C_02.PRT

REV	DATE	BY	CHK	DESCRIPTION	ECN	CHK	CUST	SUP																																																																								
-																																																																																
2	01-28-00	M50	H1W	D. RENUMBERED DRAWING NOTES C. 1.95 LB (889g) WAS 1.78 LB (809.1g)	35541-22	H1W	H1W																																																																									
1	09-30-96	JBA	CEF	B. PVC WAS ABS/POLYCARBONATE A. REVISED DRAWING TITLE, T-70 WAS T70 DRAWING REVISED AND REDRAWN	35541-22	CEF	CEF																																																																									
R	09-10-96	JBA	CEF	RELEASED TO PRODUCTION	35541-22	CEF																																																																										
<table border="1" style="width:100%; border-collapse: collapse;"> <tr> <td colspan="2">DRAWN BY</td> <td colspan="2">JBA</td> <td colspan="2">MATERIAL:</td> <td colspan="3">PVC</td> </tr> <tr> <td colspan="2">DATE</td> <td colspan="2">09-10-96</td> <td colspan="2">CHECKED BY</td> <td colspan="3">CEF</td> </tr> <tr> <td colspan="2">SCALE</td> <td colspan="2">NONE</td> <td colspan="2">DRAWING NO.</td> <td colspan="3">35541-22</td> </tr> <tr> <td colspan="2">UNLESS OTHERWISE SPECIFIED, DIMENSIONAL TOLERANCES ARE: (.X) ± (.XX) ± ANGLES ±</td> <td colspan="2">UNLESS OTHERWISE SPECIFIED, ALL DIMENSIONS ARE GIVEN IN INCHES, THIRD ANGLE PROJECTION.</td> <td colspan="2">SCALE</td> <td colspan="3">NONE</td> </tr> <tr> <td colspan="2">PANDUIT</td> <td colspan="2">CORP. TINLEY PARK, ILLINOIS</td> <td colspan="2">DRAWING NO.</td> <td colspan="3">35541-22</td> </tr> <tr> <td colspan="2">T-70 BASE COUPLER (T70BC)</td> <td colspan="2">CUSTOMER DRAWING</td> <td colspan="2">SCALE</td> <td colspan="3">NONE</td> </tr> <tr> <td colspan="2">A</td> <td colspan="2">B</td> <td colspan="2">Dwg</td> <td colspan="3">A</td> </tr> <tr> <td colspan="2">S</td> <td colspan="2">S</td> <td colspan="2">S</td> <td colspan="3">S</td> </tr> </table>									DRAWN BY		JBA		MATERIAL:		PVC			DATE		09-10-96		CHECKED BY		CEF			SCALE		NONE		DRAWING NO.		35541-22			UNLESS OTHERWISE SPECIFIED, DIMENSIONAL TOLERANCES ARE: (.X) ± (.XX) ± ANGLES ±		UNLESS OTHERWISE SPECIFIED, ALL DIMENSIONS ARE GIVEN IN INCHES, THIRD ANGLE PROJECTION.		SCALE		NONE			PANDUIT		CORP. TINLEY PARK, ILLINOIS		DRAWING NO.		35541-22			T-70 BASE COUPLER (T70BC)		CUSTOMER DRAWING		SCALE		NONE			A		B		Dwg		A			S		S		S		S		
DRAWN BY		JBA		MATERIAL:		PVC																																																																										
DATE		09-10-96		CHECKED BY		CEF																																																																										
SCALE		NONE		DRAWING NO.		35541-22																																																																										
UNLESS OTHERWISE SPECIFIED, DIMENSIONAL TOLERANCES ARE: (.X) ± (.XX) ± ANGLES ±		UNLESS OTHERWISE SPECIFIED, ALL DIMENSIONS ARE GIVEN IN INCHES, THIRD ANGLE PROJECTION.		SCALE		NONE																																																																										
PANDUIT		CORP. TINLEY PARK, ILLINOIS		DRAWING NO.		35541-22																																																																										
T-70 BASE COUPLER (T70BC)		CUSTOMER DRAWING		SCALE		NONE																																																																										
A		B		Dwg		A																																																																										
S		S		S		S																																																																										

PANDUIT

T-70 BASE COUPLER (T70BC)
CUSTOMER DRAWING

UNLESS OTHERWISE SPECIFIED, DIMENSIONAL TOLERANCES ARE: (.X) ± (.XX) ± ANGLES ±	UNLESS OTHERWISE SPECIFIED, ALL DIMENSIONS ARE GIVEN IN INCHES, THIRD ANGLE PROJECTION.	SCALE	NONE
DRAWN BY	JBA	MATERIAL:	PVC
DATE	09-10-96	CHECKED BY	CEF
SCALE	NONE	DRAWING NO.	35541-22
Dwg	A	SIZE	A