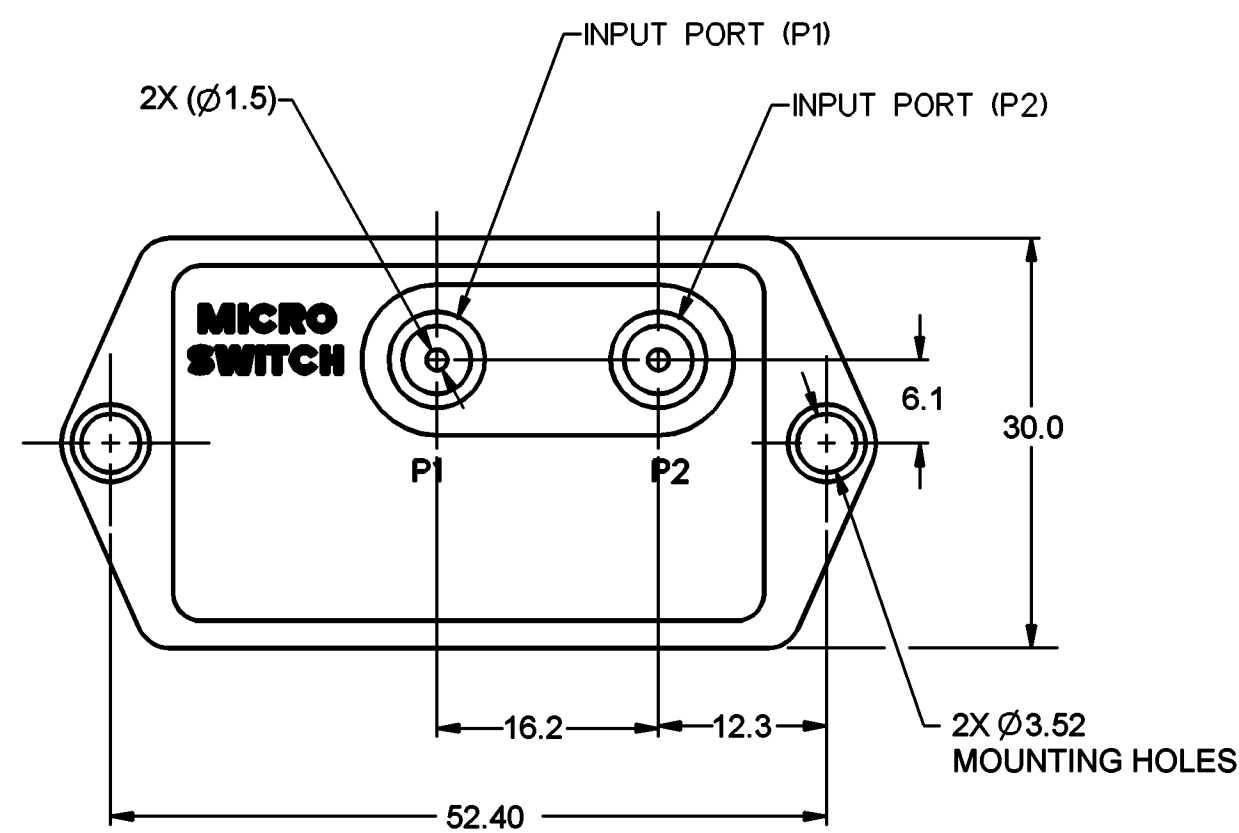
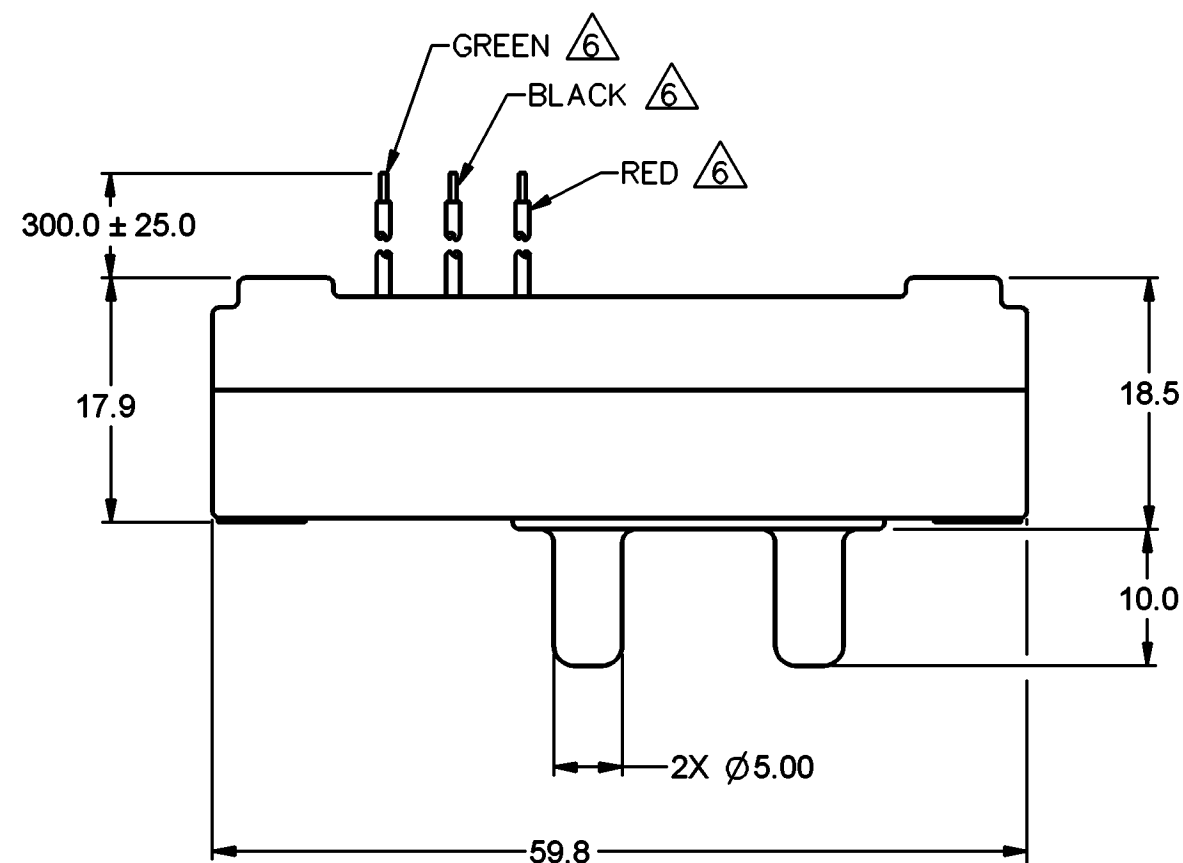
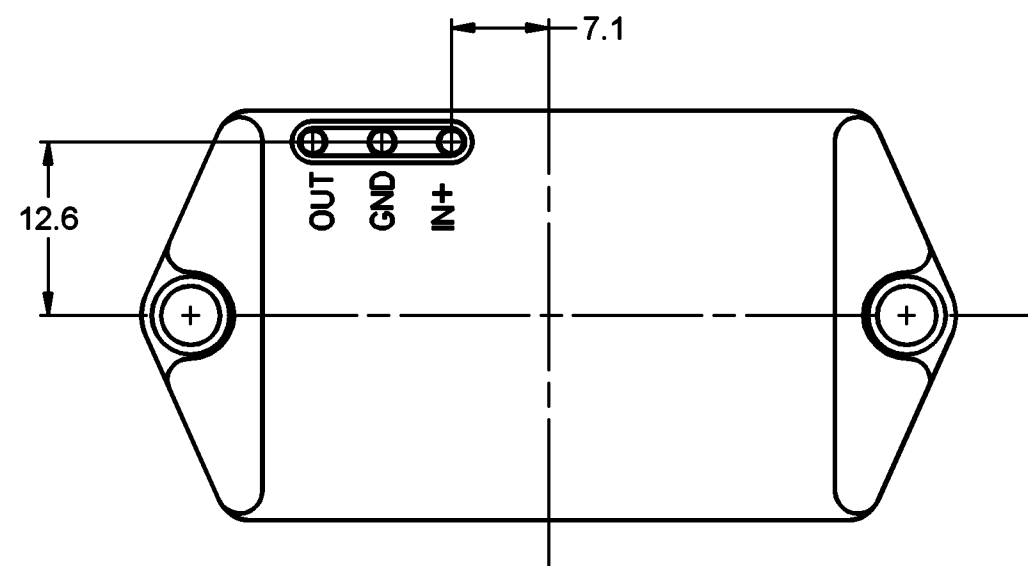


HONEYWELL
PART NUMBER
142PC05DW70

REV	DOCUMENT	CHANGED BY	CHECK
C	0072603	BM 21DEC10	DSK



METRIC	INCHES
1.5	.06
3.52	.139
5.00	.197
6.1	.240
7.1	.280
10.0	.39
12.3	.484
12.6	.496
16.2	.64
17.9	.70
18.5	.73
30.0	1.18
52.40	2.063
59.8	2.35
300.0 ± 25.0	11.8 ± 1.0

GENERAL OPERATING CHARACTERISTICS

PRESSURE RANGE	0 TO 259mm Hg (0 TO 5 PSI)
OVERPRESSURE	7 20 PSID
TEMPERATURE RANGES	STORAGE -55 TO +125°C
	OPERATE 5°C TO 55°C
	COMPENSATED 5°C TO 45°C
SUPPLY VOLTAGE	7 TO 16 VDC
SUPPLY CURRENT	20mA MAX WITH 10K LOAD
OUTPUT VOLTAGE	PROPORTIONAL TO SUPPLY VOLTAGE OVER ABOVE RECOMMENDED RANGE
SHORT CIRCUIT LIMIT	MAY BE SHORTED INDEFINITELY
OUTPUT RIPPLE	NONE
GROUND REFERENCE	SUPPLY AND OUTPUT ARE COMMON
COMMON MODE PRES.	125 PSIG MAX.
MECHANICAL SHOCK	MIL-STD-202 METHOD 213 TEST CONDITION A
VIBRATION SINE SWEEP	MIL-STD-202 METHOD 204

ELECTRICAL PERFORMANCE AT 25°C AND 8.00±0.01 VDC SUPPLY

OUTPUT VOLTAGE	
NULL (0 PSI)	1.00±0.05 VDC
FULL SCALE (5 PSI (259mm Hg))	6.00±0.10 VDC (P2 > P1)
F.S.O. 5	5.00±0.05 VDC (P2 > P1)
SENSITIVITY	19.33mV/mm Hg (1.0 V/PSI)
LINEARITY (%F.S.O.) 5 (BFSL)	±0.75 MAX (P2 < P1)
	±1.50 MAX (P2 > P1)
HYSTERESIS & REPEATABILITY (%F.S.O.) 5	±0.25 TYP
TEMPERATURE ERROR (%F.S.O.) 5	5°C < 25°C > 45°C
	±1.5 MAX
RESPONSE TIME	1m SEC MAX

NOTES

- INPUT MEDIA:
P1 - DRY GASES ONLY: CONNECTION SIDE OF SENSOR
P2 - LIMITED ONLY TO THOSE MEDIA THAT WILL NOT ATTACK POLYESTER, SILICON OR SILICONE BASED ADHESIVE
- TERMINALS ARE PLATED FOR SOLDERING
- LIMIT SOLDERING TO 315°C MAX FOR 10 SECONDS MAX
- UNITS ARE OF PLASTIC CONSTRUCTION
- F.S.O. IS THE ALGEBRAIC DIFFERENCE BETWEEN THE OUTPUT END POINTS (NULL AND FULL PRESSURE)
- STRIPPED & TINNED LEAD ENDS TO BE 5.0 MAX
- MAXIMUM DIFFERENTIAL PRESSURE ALLOWABLE IS 20 PSI BETWEEN P1 AND P2
- NO CHANGES TO MATERIALS WITHOUT PRIOR COMMON MODE PRESSURE TESTING AT OPERATING TEMPERATURE

RELEASE NO. PR-17830

DESIGN UNITS: MM TOLERANCES UNLESS NOTED:	<table border="1"> <tr><td>NO PLACES</td><td>x</td><td>±</td><td>1</td></tr> <tr><td>ONE PLACE</td><td>.x</td><td>±</td><td>0.4</td></tr> <tr><td>TWO PLACE</td><td>.xx</td><td>±</td><td>0.15</td></tr> <tr><td>THREE PLACE</td><td>.xxx</td><td>±</td><td>-</td></tr> <tr><td>ANGLES</td><td>x</td><td>±</td><td>-</td></tr> </table>	NO PLACES	x	±	1	ONE PLACE	.x	±	0.4	TWO PLACE	.xx	±	0.15	THREE PLACE	.xxx	±	-	ANGLES	x	±	-	<table border="1"> <tr><td>DRAWN</td><td>JAS</td><td>08MAY09</td></tr> <tr><td>CHECK</td><td>JAS</td><td>08MAY09</td></tr> </table>	DRAWN	JAS	08MAY09	CHECK	JAS	08MAY09	<p>Honeywell</p> <p>TITLE PRESSURE TRANSDUCER</p>
NO PLACES	x	±	1																										
ONE PLACE	.x	±	0.4																										
TWO PLACE	.xx	±	0.15																										
THREE PLACE	.xxx	±	-																										
ANGLES	x	±	-																										
DRAWN	JAS	08MAY09																											
CHECK	JAS	08MAY09																											
<p>THIS DRAWING COVERS A PROPRIETARY ITEM AND IS THE PROPERTY OF HONEYWELL. THIS DRAWING IS NOT TO BE COPIED OR USED WITHOUT THE PERMISSION OF HONEYWELL.</p> <p>INTERPRET PER ASME Y14.5M-1994 OTHER HONEYWELL ENGINEERING STANDARDS MAY APPLY</p> <p>THIRD ANGLE PROJECTION</p>	<p>SCALE NONE WEIGHT 31 GRAMS SHEET 1 OF 1</p>	<p>SIZE TYPE CAGE CODE DRAWING NAME REV</p> <p>C I - 142PC05DW70 C</p>	<p>RASTER</p>																										