

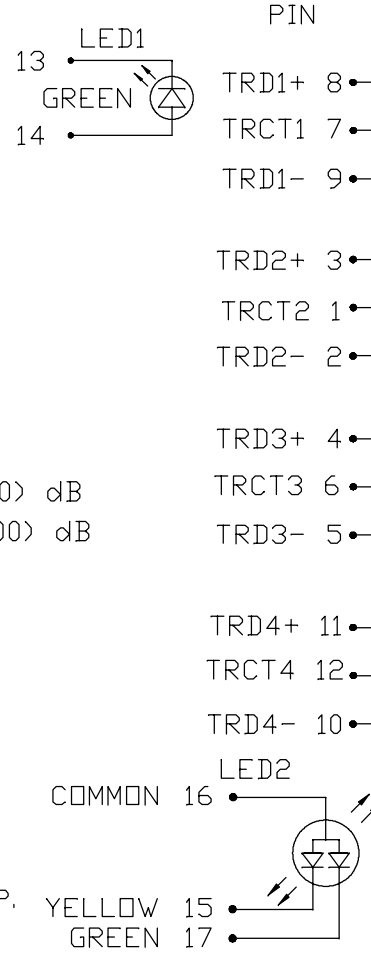
THE INFORMATION CONTAINED HEREIN IS CONSIDERED "PROPRIETARY" TO BEL FUSE INC. AND SHALL NOT BE COPIED, REPRODUCED OR DISCLOSED WITHOUT THE WRITTEN APPROVAL OF BEL FUSE INC.

LED1 POLARITY			LED2 POLARITY			
PIN 13	PIN 14	COLOR	PIN 15	PIN 16	PIN 17	COLOR
-	+	GREEN	-	+	/	YELLOW
/	/	/	/	+	-	GREEN

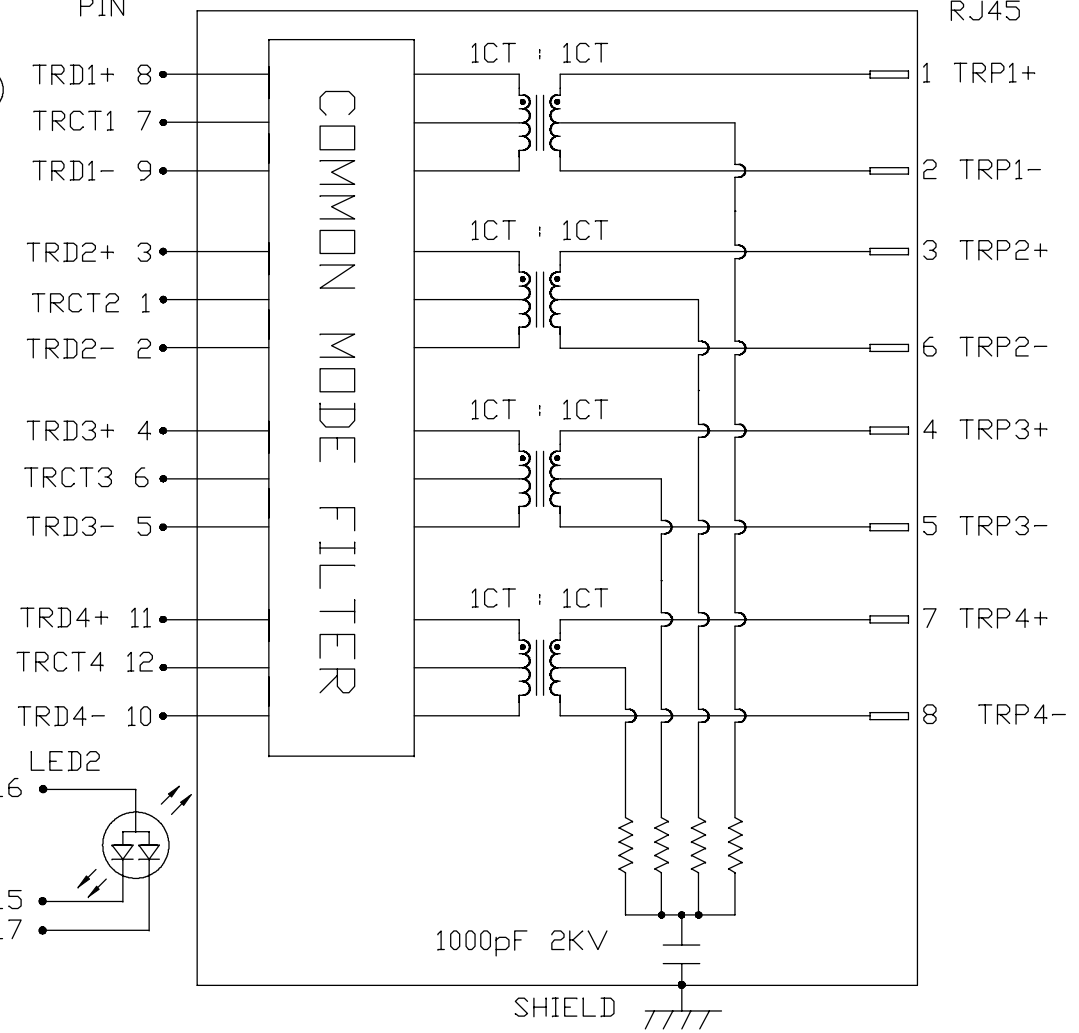


ELECTRICAL CHARACTERISTICS @ 25°C

TURNS RATIO		
TP1	1CT : 1CT	
TP2	1CT : 1CT	
TP3	1CT : 1CT	
TP4	1CT : 1CT	
INS. LOSS (MAX)		
1MHz TO 20MHz	-0.8 dB	
50MHz	-1.0 dB	
200MHz	-1.2 dB	
400MHz	-2.0 dB	
500MHz	-3.0 dB	
RET. LOSS (MIN)		
1MHz - 40MHz	-16 dB	
40MHz - 400 MHz	-16+10LOG (F/40) dB	
400MHz - 500 MHz	-6+30LOG (F/400) dB	
CM TO CM REJ		
1MHz - 500MHz	-30 dB MIN	
CM TO DM REJ		
1MHz - 500MHz	-30 dB MIN	
HIPOT (Isolation Voltage):		2250VDC
100% OF PRODUCTION TESTED TO COMPLY WITH IEEE 802.3 ISOLATION REQUIREMENTS.		
LED 1		
VF (FORWARD VOLTAGE)	IF=20mA	GREEN 2.2V TYP.
λD (DOMINANT WAVELENGTH)	IF=20mA	GREEN 570nm TYP.
LED 2		
VF (FORWARD VOLTAGE)	IF=20mA	GREEN 2.2V TYP.
		YELLOW 2.1V TYP.
λD (DOMINANT WAVELENGTH)	IF=20mA	GREEN 570nm TYP.
		YELLOW 590nm TYP.
OPERATING TEMPERATURE: 0°C TO +70°C.		



SCHEMATIC



ORIGINATED BY CHOW WANCHUNG
DATE 2019-04-23
DRAWN BY XIE YIMING
DATE 2019-04-23

TITLE 10 Gigabit MagJack® (Ultra Low Profile) PATENTED
---

PART NO. / DRAWING NO. G10-1GHN-056
FILE NAME G10-1GHN-056_A.DWG

STANDARD DIM. TOL. IN INCH	[ ] METRIC DIM. AS REF.
.X	UNIT : INCH [mm]
.XX	SCALE : N/A
.XXX	SIZE : A4

REV. : A PAGE : 2

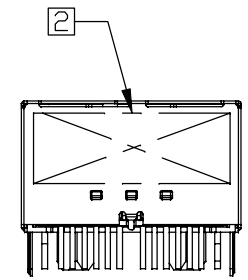
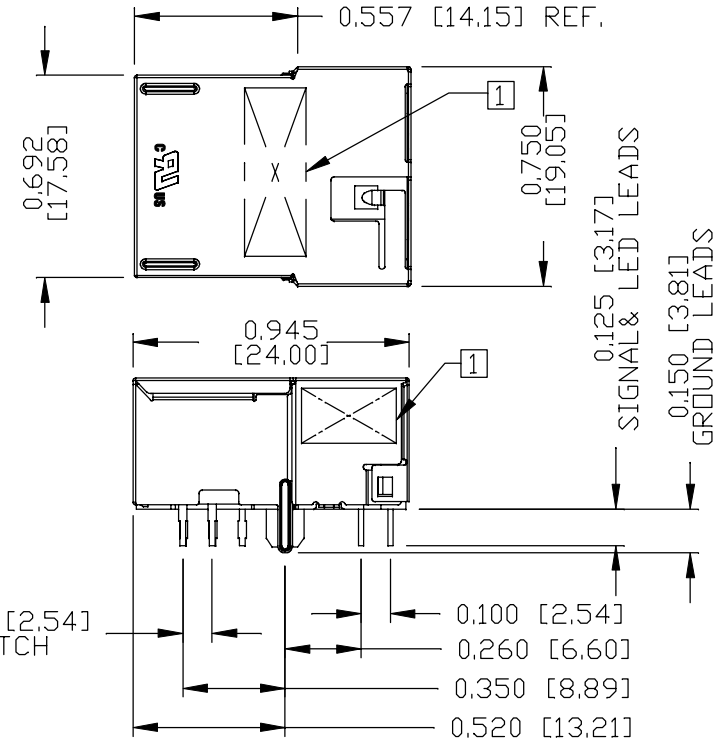
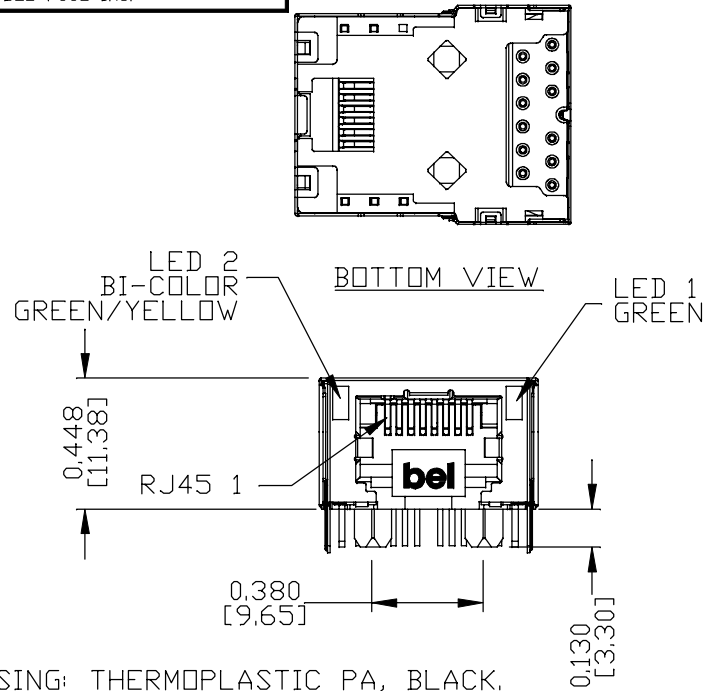


This document is electronically generated. This is a controlled copy if used internally.

Please read our datasheet & drawing disclaimer [here](#).

THE INFORMATION CONTAINED HEREIN IS CONSIDERED "PROPRIETARY" TO BEL FUSE INC. AND SHALL NOT BE COPIED, REPRODUCED OR DISCLOSED WITHOUT THE WRITTEN APPROVAL OF BEL FUSE INC.

MECHANICAL SPECIFICATION



**NOTES:**  
 PLASTIC HOUSING: THERMOPLASTIC PA, BLACK, FLAMMABILITY RATING UL 94V-0  
 CONTACTS: 50 MICRO-INCH HARD GOLD PLATING OR EQUIVALENT.  
 OUTPUT PINS: TIN-COATED COPPER WIRE, DIA 0.018 INCH. 100 MICRO-INCH MIN MATTE TIN. PINS ARE SOLDER DIPPED.  
 METAL SHIELD: NICKEL PLATED ON COPPER ALLOY. (ALL GROUND LEADS ARE SOLDER DIPPED)

- ① MARK PART WITH PART NUMBER (G10-1GHN-056), DATE CODE AND PATENTED.
- ② MARK PART WITH MFG. LOGO, MFG. NAME ON BACK VIEW.
- 3. THE PRODUCT IS RoHS COMPLIANT AND HALOGEN FREE. JACK CAVITY CONFORMS TO FCC RULES AND REGULATIONS.

- 4. THE PART IS RECOMMENDED FOR WAVE SOLDERING. THE SUGGESTED PEAK WAVE SOLDERING CONDITION IS 260°C MAX AND 10 SECONDS MAX.
- 5. THE PRODUCT IS PATENTED. THE PATENT NUMBER ARE U.S. PAT. 7,429,195 & U.S. PAT. 7,123,117 & U.S. PAT. 6,840,817 AND U.S. PAT. 7,924,130.
- 6. THE AXIAL RETENTION FORCE OF RJ PORT IS 15LBS MIN.

ORIGINATED BY  
SANDY LIN  
DATE 2019-04-23  
DRAWN BY  
OLIVER ZHANG  
DATE 2019-04-23

TITLE  
10 gigabit MagJack®  
(Ultra Low Profile)  
PATENTED

PART NO. / DRAWING NO.  
G10-1GHN-056  
FILE NAME  
G10-1GHN-056\_A.DWG

STANDARD DIM. TOL. IN INCH	[ ] METRIC DIM. AS REF.
.X	UNIT : INCH [mm]
.XX	SCALE : N/A
.XXX	SIZE : A4

REV. : A PAGE : 3



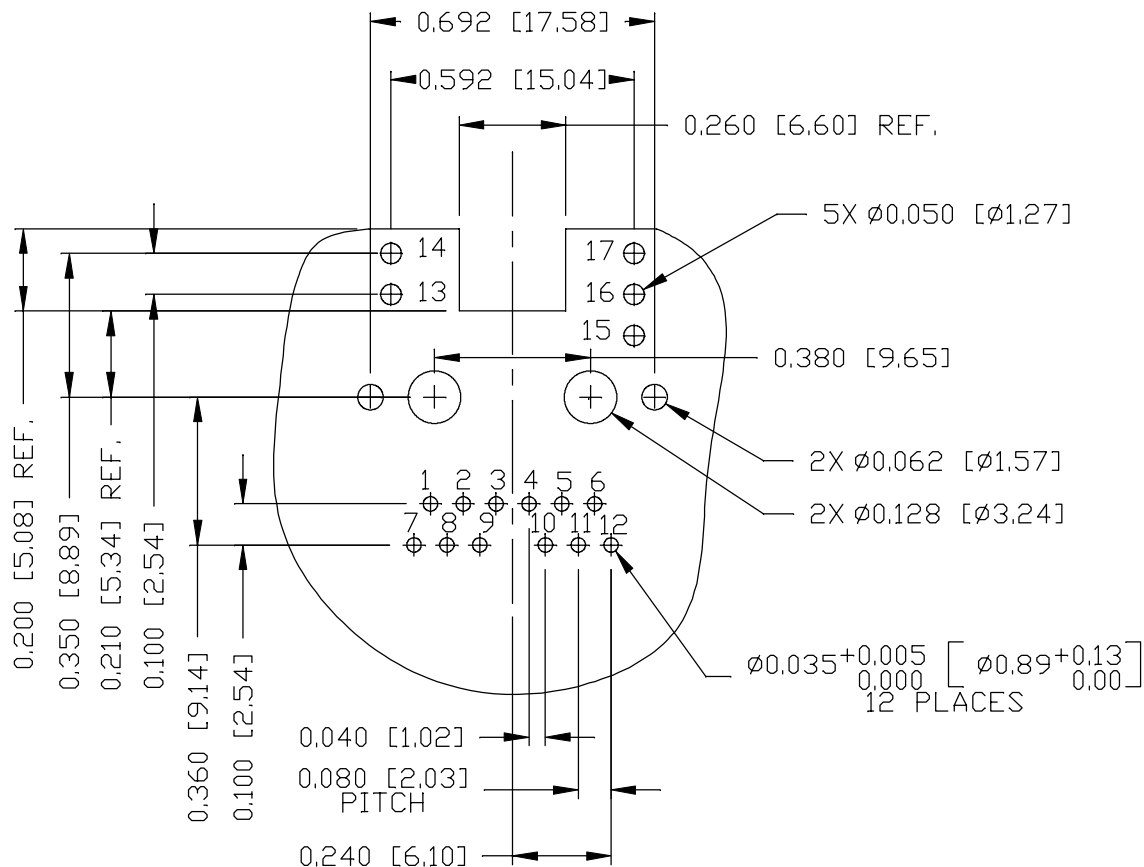
THE INFORMATION CONTAINED HEREIN IS CONSIDERED "PROPRIETARY" TO BEL FUSE INC. AND SHALL NOT BE COPIED, REPRODUCED OR DISCLOSED WITHOUT THE WRITTEN APPROVAL OF BEL FUSE INC.

RoHS



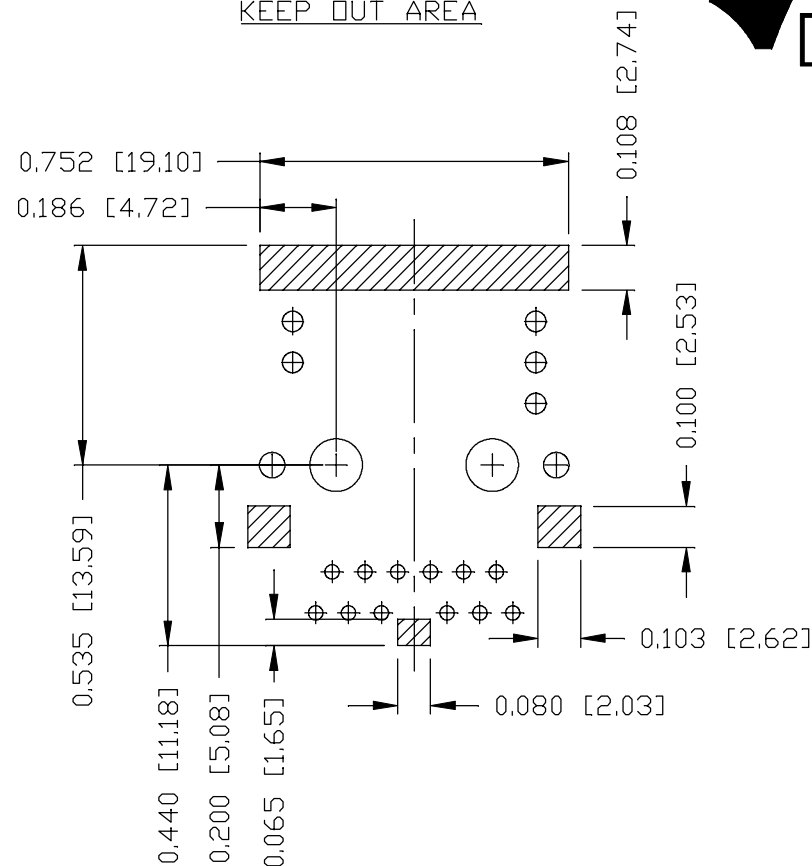
RECOMMENDED PCB FOOTPRINT

COMPONENT SIDE VIEW



FOR ONE UNIT

KEEP OUT AREA



THE SHADED AREA ON THE CUSTOMER BOARD ARE RECOMMENDED TO BE CLEAR OFF ANY VIA HOLE OR COMPONENT PAD.

REV. :	A	PAGE :	4
--------	---	--------	---

ORIGINATED BY SANDY LIN
DATE 2019-04-23
DRAWN BY OLIVER ZHANG
DATE 2019-04-23

TITLE 10 Gigabit MagJack® (Ultra Low Profile) PATENTED
---

PART NO. / DRAWING NO. G10-1GHN-056
FILE NAME G10-1GHN-056_A.DWG

STANDARD DIM. TOL. IN INCH	[ ] METRIC DIM. AS REF.
.X	UNIT : INCH [mm]
.XX	SCALE : N/A
.XXX	±0.004
	SIZE : A4



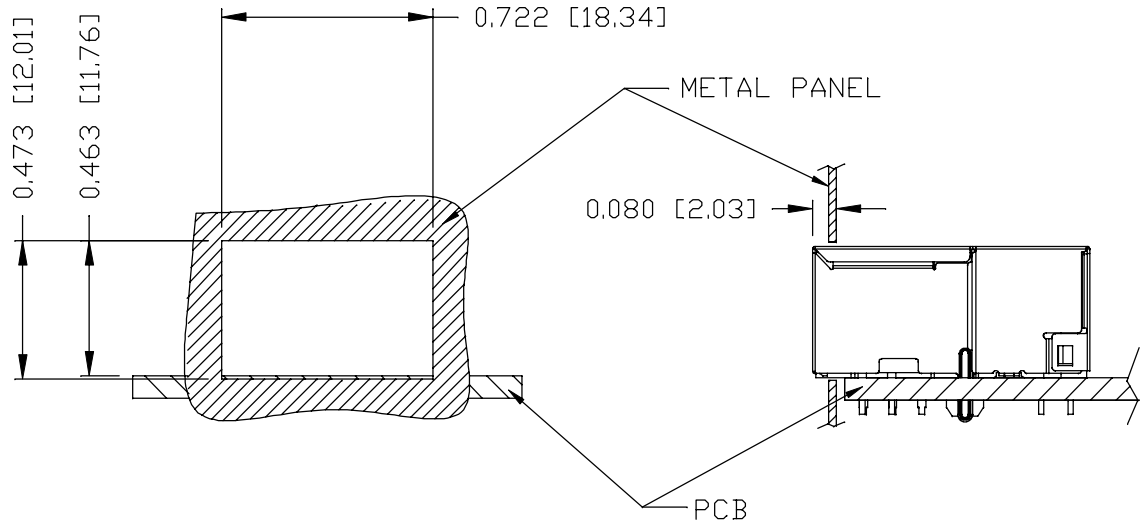
DC002(2)120214

This document is electronically generated. This is a controlled copy if used internally. Please read our datasheet & drawing disclaimer [here](#).

THE INFORMATION CONTAINED HEREIN IS CONSIDERED "PROPRIETARY" TO BEL FUSE INC. AND SHALL NOT BE COPIED, REPRODUCED OR DISCLOSED WITHOUT THE WRITTEN APPROVAL OF BEL FUSE INC.



SUGGESTED PANEL OPENING



NOTE:

THE DISTANCE OF PANEL INSIDE SURFACE RELATIVE TO FRONT SURFACE OF PART IS ONLY A SUGGESTION. IN CASE THIS DISTANCE IS DIFFERENT, THE REQUIRED PANEL OPENING DIMENSIONS CHANGE ACCORDINGLY.

TRAY PACKING INFORMATION

PACKING TRAY : 0200-9999-E4 (TOP)

0200-9999-E5 (BOTTOM)

PACKING QUANTITY : 60 PCS FINISHED GOODS PER TRAY

11 TRAYS (660 PCS FINISHED GOODS) PER CARTON BOX

REMARK : CARDBOARDS ARE PLACED BETWEEN LAYERS OF PACKING TRAY INSIDE CARTON BOX (INCLUDE THE UPPERMOST AND LOWERMOST TRAY)

REV. : A	PAGE : 5
----------	----------

ORIGINATED BY SANDY LIN DATE 2019-04-23 DRAWN BY OLIVER ZHANG DATE 2019-04-23	TITLE 10 gigabit MagJack® (Ultra Low Profile) PATENTED	PART NO. / DRAWING NO. G10-1GHN-056 FILE NAME G10-1GHN-056_A.DWG	STANDARD DIM. [ ] METRIC DIM.	
			TOL. IN INCH AS REF.	
			.X	UNIT : INCH [mm]
			.XX	SCALE : N/A
		.XXX	±0.005	SIZE : A4



DC002(2)120214

This document is electronically generated. This is a controlled copy if used internally

Please read our datasheet & drawing disclaimer [here](#).