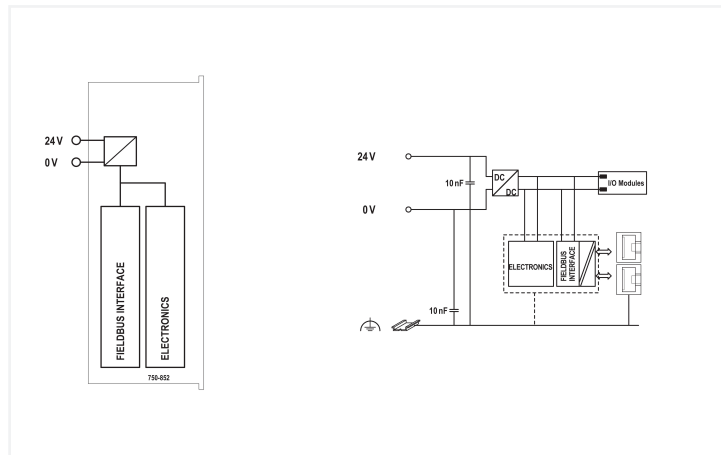
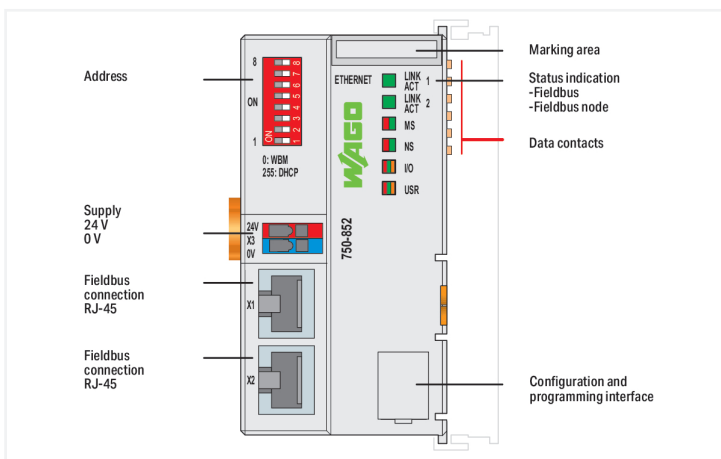


Data Sheet | Item Number: 750-852
Controller ETHERNET; 3rd Generation; ECO

<https://www.wago.com/750-852>



Color: ■ light gray



Note:

For this item, a successor is available: Modbus TCP [750-862](#) EtherNet/IP™ 750-823

The ETHERNET Controller connects the modular WAGO I/O System to ETHERNET.

The controller detects all connected I/O modules and creates a local process image. This process image may include a mixed arrangement of analog (word-by-word data transfer) and digital (bit-by-bit data transfer) modules.

Two ETHERNET interfaces and an integrated switch allow the fieldbus to be wired in a line topology, eliminating the need for additional network devices, such as switches or hubs. Both interfaces support autonegotiation and Auto-MDI(X).

The DIP switch configures the last byte of the IP address and may be used for IP address assignment.

The controller is designed for fieldbus communication in both EtherNet/IP and MODBUS networks. It also supports a wide variety of standard ETHERNET protocols (HTTP, BootP, DHCP, DNS, SNMP, FTP).

An integrated Webserver provides user configuration options, while displaying the controller's status information.

The IEC 61131-3 programmable controller is multitasking-capable.

Material data

Color	light gray
Fire load	0.976 MJ
Weight	83.1 g

Commercial data

Product Group	15 (I/O System)
PU (SPU)	1 pcs
Packaging type	Box
Country of origin	DE
GTIN	4050821753940
Customs tariff number	85371091990
End of Sale	2019-12-15
End of Production	2019-12-20
End of Delivery	2019-12-30
End of Service and Repair	2021-12-14

Product Classification

UNSPSC	32151705
eCl@ss 10.0	27-24-26-07
eCl@ss 9.0	27-24-26-07
ECCN	NO US CLASSIFICATION

Environmental Product Compliance

CAS-No.	12060-00-3 1303-86-2 1317-36-8 693-98-1 7439-92-1 79-94-7
REACH Candidate List Substance	2,2',6,6'-tetrabromo-4,4'-isopropylidenediphenol 2-methylimidazole Diboron trioxide Lead Lead monoxide Lead titanium oxide (PbTiO ₃)
RoHS Exemption	6(c) 7(a) 7(c)-I 7(c)-II
SCIP notification number (Austria)	f8b1474e-235f-44e7-b14b-b7ba6403018c
SCIP notification number (Belgium)	e145346b-17ad-407a-b3af-384e34b6b3df
SCIP notification number (Bulgaria)	de86b3da-062f-4b7e-b2f2-5b23f5068607
SCIP notification number (Czech Republic)	49ff89f0-2b47-4f83-8824-1ac9db8f4836
SCIP notification number (Denmark)	903fdf46-8f38-410f-9174-eeecc3612f76
SCIP notification number (Finland)	8cbd4864-c9e3-40d0-b93d-591301db8147
SCIP notification number (France)	401b49fc-37a5-4a66-8dd8-79c305585cf4
SCIP notification number (Germany)	a2164061-b8b2-4d06-92cf-86c39e4d4c75
SCIP notification number (Hungary)	67323043-e6fa-4d9c-b703-f593c44e5603
SCIP notification number (Italy)	f2248b1f-b789-494a-9ab6-d40fc3bc1083
SCIP notification number (Netherlands)	8e795a5f-7c56-4052-92b4-1fc8807a92da
SCIP notification number (Poland)	2b253eaa-38c2-4552-a792-ad9a944935ec
SCIP notification number (Romania)	ebf01af9-e55a-4467-b2bb-b091fc32279c
SCIP notification number (Sweden)	55d4fcb6-4aae-4648-ad99-986e0e11bcba

Approvals / Certificates

Declarations of conformity and manufacturer's declarations

Approval	Standard	Certificate Name
EU-Declaration of Conformity WAGO GmbH & Co. KG	-	-

Approvals for marine applications



Approval	Standard	Certificate Name
DNV DNV GL SE	DNV-CG-0339, Aug. 2021	TAA0000194

Downloads

Environmental Product Compliance

Compliance Search
Environmental Product Compliance 750-852 ↓

Documentation

Manual
Product Manual ETHER-NET ECO Controller V 1.4.0 pdf 13130.88 KB ↓

Bid Text
750-852 19.02.2019 xml 6.40 KB ↓
750-852 23.07.2015 doc 29.00 KB ↓

CAD/CAE-Data

CAD data
2D/3D Models 750-852 ↓

CAE data
EPLAN Data Portal 750-852 ↓
WSCAD Universe 750-852 ↓
ZUKEN Portal 750-852 ↓

Runtime Software

Firmware
0750-0852, Controller ETHERNET V 16 27.07.2021 zip 6756.33 KB ↓

Libraries

Library			
WagoLibConfigETH_01	1.0.0	pdf 381.48 KB	