

## High Precision, Impedance, and Electrochemical Front End

### FEATURES

- ▶ Analog input
  - ▶ 16-bit ADC with both 800 kSPS and 1.6 MSPS options
  - ▶ Voltage, current, and impedance measurement capability
    - ▶ Internal and external current and voltage channels
    - ▶ Ultralow leakage switch matrix and input mux
  - ▶ Input buffers and programmable gain amplifier
- ▶ Voltage DACs
  - ▶ Dual output voltage DAC with an output range of 0.2 V to 2.4 V
- ▶ 12-bit  $V_{BIAS0}$  output to bias potentiostat
  - ▶ 6-bit  $V_{ZERO0}$  output to bias TIA
  - ▶ Ultra low power: 1  $\mu$ A
  - ▶ 1 high speed, 12-bit DAC
    - ▶ Output range from high-speed DAC (HSDAC):  $\pm 607$  mV
    - ▶ Programmable gain amplifier on HSDAC output with gain settings of 2 and 0.05
- ▶ Amplifiers, accelerators, and references
  - ▶ 1 low power, low noise potentiostat amplifier suitable for potentiostat bias in electrochemical sensing
  - ▶ 1 low noise, low power TIA, suitable for measuring sensor current output
    - ▶ 50 pA to 3 mA range
    - ▶ Programmable load and gain resistors for sensor output
  - ▶ Analog hardware accelerators
    - ▶ Digital waveform generator
    - ▶ Receive filters
    - ▶ Complex impedance measurement (DFT) engine
  - ▶ 1 high speed TIA to handle wide bandwidth input signals from 0.015 Hz up to 200 kHz
  - ▶ Digital waveform generator for generation of sinusoid and trapezoid waveforms
  - ▶ 2.5 V and 1.82 V internal reference voltage sources
- ▶ System level power savings
  - ▶ Fast power-up and power-down analog blocks for duty cycling
  - ▶ Programmable AFE sequencer to minimize workload of host controller
  - ▶ 6 kB SRAM to preprogram AFE sequences
  - ▶ Ultra low power potentiostat channel: 6.5  $\mu$ A of current consumption when powered on and all other blocks in hibernate mode
- ▶ Smart sensor synchronization and data collection
  - ▶ Cycle accurate control of sensor measurement
  - ▶ Sequencer controlled GPIOs

- ▶ On-chip peripherals
  - ▶ SPI serial input/output
  - ▶ Wake-up timer
  - ▶ Interrupt controller
- ▶ Power
  - ▶ 2.8 V to 3.6 V supply
  - ▶ 1.82 V input/output compliant
  - ▶ Power-on reset
  - ▶ Hibernate mode with low power DAC and potentiostat amplifier powered up to maintain sensor bias
- ▶ Package and temperature range
  - ▶ AD5940: 3.6 mm  $\times$  4.2 mm, 56-ball WLCSP
  - ▶ AD5941: 7 mm  $\times$  7 mm, 48-lead LFCSP
  - ▶ AD5940 and AD5941 fully specified for operating temperature range of  $-40^{\circ}\text{C}$  to  $+85^{\circ}\text{C}$
  - ▶ AD5941W fully specified for operating temperature range of  $-40^{\circ}\text{C}$  to  $+105^{\circ}\text{C}$
- ▶ AEC-Q100 qualified for automotive applications

### APPLICATIONS

- ▶ Electrochemical measurements
- ▶ Electrochemical gas sensor measurements
- ▶ Potentiostat/ampereometric/voltammetry/cyclic voltammetry
- ▶ Bioimpedance applications
  - ▶ Skin impedance
  - ▶ Body impedance
- ▶ Continuous glucose monitoring
- ▶ Battery impedance

### SIMPLIFIED BLOCK DIAGRAM

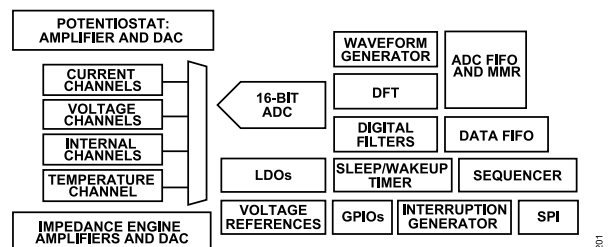


Figure 1.

## TABLE OF CONTENTS

Features.....	1	High Performance ADC Circuit.....	54
Applications.....	1	ADC Circuit Overview.....	54
Simplified Block Diagram.....	1	ADC Circuit Diagram.....	54
Functional Block Diagram.....	5	ADC Circuit Features.....	55
General Description.....	6	ADC Circuit Operation.....	55
Specifications.....	7	ADC Transfer Function.....	55
ADC RMS Noise Specifications.....	16	ADC Low Power Current Input Channel.....	56
SPI Timing Specifications.....	17	Selecting Inputs to ADC Mux.....	56
Absolute Maximum Ratings.....	18	ADC Postprocessing.....	57
Thermal Resistance.....	18	Internal Temperature Sensor Channel.....	57
ESD Caution.....	18	50 Hz/60 Hz Mains Rejection Filter.....	57
Pin Configuration and Function Descriptions.....	19	ADC Calibration.....	57
Typical Performance Characteristics.....	22	ADC Circuit Registers.....	58
Reference Test Circuit.....	24	ADC Calibration Registers.....	64
Theory of Operation.....	25	ADC Digital Postprocessing Registers (Optional).....	71
Configuration Registers.....	25	ADC Statistics Registers.....	72
Silicon Identification.....	28	Programmable Switch Matrix.....	74
Identification Registers.....	28	Switch Descriptions.....	74
System Initialization.....	29	Recommended Configuration in Hibernate Mode.....	74
Low Power DAC.....	30	Options for Controlling All Switches.....	74
Low Power DAC Switch Options.....	30	Programmable Switches Registers.....	76
Relationship Between the 12-Bit and 6-Bit Outputs.....	31	Precision Voltage References.....	87
Low Power DAC Use Cases.....	31	High Power and Low Power Buffer Control Register—BUFSENCN.....	87
Low Power DAC Circuit Registers.....	32	Sequencer.....	89
Low Power Potentiostat.....	36	Sequencer Features.....	89
Low Power TIA.....	37	Sequencer Overview.....	89
Low Power TIA Protection Diodes.....	37	Sequencer Commands.....	89
Using an External $R_{TIA}$ .....	37	Sequencer Operation.....	91
Recommended Switch Settings for Various Operating Modes.....	37	Sequencer and FIFO Registers.....	93
Low Power TIA Circuits Registers.....	39	Waveform Generator.....	99
High Speed DAC Circuits.....	43	Waveform Generator Features.....	99
High Speed DAC Output Signal Generation....	43	Waveform Generator Operation.....	99
Power Modes of the High Speed DAC Core....	43	Using the Waveform Generator with the Low Power DAC.....	99
High Speed DAC Filter Options.....	43	Waveform Generator Registers.....	99
High Speed DAC Output Attenuation Options..	45	SPI Interface.....	104
High Speed DAC Excitation Amplifier.....	45	Overview.....	104
Coupling an AC Signal from the High Speed DAC to the DC Level Set by the Low Power DAC.....	45	SPI Pins.....	104
Avoiding Incoherency Errors Between Excitation and Measurement Frequencies During Impedance Measurements.....	45	SPI Operation.....	104
High Speed DAC Calibration Options.....	46	Command Byte.....	104
High Speed DAC Circuit Registers.....	47	Writing to and Reading from Registers.....	104
High Speed TIA Circuits.....	50	Reading Data from the Data FIFO.....	104
High Speed TIA Configuration.....	50	ECC for DATA FIFO.....	106
High Speed TIA Circuit Registers.....	52	ECC Algorithm.....	106
		Sleep and Wake-Up Timer.....	107
		Sleep and Wake-Up Timer Features.....	107

## TABLE OF CONTENTS

Sleep and Wake-Up Timer Overview.....	107	Shutdown Mode.....	129
Configuring a Defined Sequence Order.....	107	Low Power Mode.....	129
Recommended Sleep and Wake-Up Timer Operation.....	107	Power Modes Registers.....	129
Sleep and Wake-Up Timer Registers.....	108	Clocking Architecture.....	132
Interrupts.....	112	Clock Features.....	132
Interrupt Controller Interrupts.....	112	Clock Architecture Registers.....	132
Configuring the Interrupts.....	112	Applications Information.....	137
Custom Interrupts.....	112	EDA Bioimpedance Measurement Using a Low Bandwidth Loop.....	137
External Interrupt Configuration.....	112	Body Impedance Analysis (BIA) Measurement Using a High Bandwidth Loop.....	138
Interrupt Registers.....	113	High Precision Potentiostat Configuration.....	139
External Interrupt Configuration Registers.....	118	Using the AD5940/AD5941, AD8232, and AD8233 for Bioimpedance and Electrocardiogram (ECG) Measurements....	140
Digital Inputs/Outputs.....	122	Smart Water/Liquid Quality AFE.....	141
Digital Inputs/Outputs Features.....	122	Outline Dimensions.....	142
Digital Inputs/Outputs Operation.....	122	Ordering Guide.....	142
GPIO Registers.....	123	Evaluation Boards.....	142
System Resets.....	127	Automotive Products.....	142
Analog Die Reset Registers.....	127		
Power Modes.....	129		
Active High Power Mode (>80 KHz).....	129		
Active Low Power Mode (<80 KHz).....	129		
Hibernate Mode.....	129		

## REVISION HISTORY

**2/2026—Rev. F to Rev. G**

Changes Table 4.....	17
Changes to SCLK Section.....	104

**5/2025—Rev. E to Rev. F**

Changes to Internal Temperature Sensor Channel Section.....	57
---	----

**12/2024—Rev. D to Rev. E**

Changes to Table 9.....	25
-------------------------	----

**1/2024—Rev. C to Rev. D**

Changed Master to Initiator and Slave to Target (Throughout).....	1
Changes to Features Section.....	1
Change to Applications Section.....	1
Changes to Figure 2.....	5
Deleted Figure 3; Renumbered Sequentially.....	5
Changes to ADC RMS Noise Specifications Section.....	16
Change to Table 9.....	25
Change to Low Power DAC Section.....	30
Changes to Equation 6 and Equation 7.....	31
Changes to High Speed DAC Output Attenuation Options Section.....	45
Changes to Figure 29.....	50
Change to Table 38.....	52
Changes to ADC Circuit Features Section.....	55
Changes to ADC Postprocessing Section.....	57

**TABLE OF CONTENTS**

Changed Sinc2 Filter (50 Hz/60 Hz Mains Filter) Section to 50 Hz/60 Hz Mains Rejection Filter Section....	57
Added 50 Hz/60 Hz Notch Filter Section.....	57
Change to Table 43.....	58
Changes to Table 45.....	60
Changes to Table 46.....	60
Changes to Table 51.....	62
Changes to AFEx Switches Section.....	74
Changes to Figure 35.....	75
Change to Sinusoid Generator Section.....	99
Change to Table 122.....	102
Change to SCLK Section.....	104
Added ECC for DATA FIFO Section and Table 127; Renumbered Sequentially.....	106
Added ECC Algorithm Section, Table 128, and Table 129.....	106
Changes to Active High Power Mode (>80 KHz) Section.....	129
Changes to Clock Features Section and Figure 52.....	132
Changes to Table 171.....	132
Deleted Key Protection Register for the CLKCON0 Register—CLKCON0KEY Section.....	132
Changes to Table 172.....	133

FUNCTIONAL BLOCK DIAGRAM

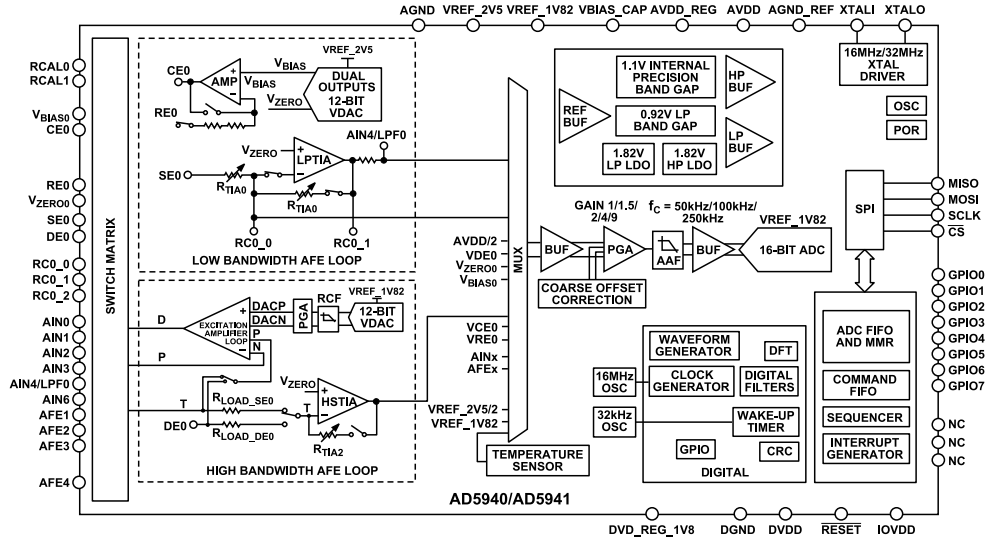


Figure 2. AD5940/AD5941 Functional Block Diagram

## GENERAL DESCRIPTION

The AD5940 and AD5941 are high precision, low power analog front ends (AFE) designed for portable applications that require high precision, electrochemical-based measurement techniques, such as amperometric, voltammetric, or impedance measurements. The AD5940/AD5941 is designed for skin impedance and body impedance measurements, and works with the [AD8233](#) AFE in a complete bioelectric or biopotential measurement system. The AD5940/AD5941 is designed for electrochemical toxic gas sensing.

The AD5940/AD5941 consist of two high precision excitation loops and one common measurement channel, which enables a wide capability of measurements of the sensor under test. The first excitation loop consists of an ultra low power, dual-output string, digital-to-analog converter (DAC), and a low power, low noise potentiostat. One output of the DAC controls the noninverting input of the potentiostat, and the other output controls the noninverting input of the transimpedance amplifier (TIA). This low power excitation loop is capable of generating signals from dc to 200 Hz.

The second excitation loop consists of a 12-bit DAC, referred to as the high speed DAC. This DAC is capable of generating high frequency excitation signals up to 200 kHz.

The AD5940/AD5941 measurement channel features a 16-bit, 800 kSPS, multichannel successive approximation register (SAR) analog-to-digital converter (ADC) with input buffers, a built in antialias filter, and a programmable gain amplifier (PGA). An input multiplexer (mux) in front of the ADC allows the user to select an input channel for measurement. These input channels include multiple external current inputs, external voltage inputs, and internal channels. The internal channels allow diagnostic measurements of the internal supply voltages, die temperature, and reference voltages.

The current inputs include two TIAs with programmable gain and load resistors for measuring different sensor types. The first TIA,

referred to as the low power TIA, measures low bandwidth signals. The second TIA, referred to as the high speed TIA, measures high bandwidth signals up to 200 kHz.

An ultra low leakage, programmable switch matrix connects the sensor to the internal analog excitation and measurement blocks. This matrix provides an interface for connecting external transimpedance amplifier resistors ( $R_{TIA}$ s) and calibration resistors. The matrix can also be used to multiplex multiple electronic measurement devices to the same wearable electrodes.

A precision 1.82 V and 2.5 V on-chip reference source is available. The internal ADC and DAC circuits use this on-chip reference source to ensure low drift performance for the 1.82 V and 2.5 V peripherals.

The AD5940/AD5941 measurement blocks can be controlled via direct register writes through the serial peripheral interface (SPI) interface, or, alternatively, by using a preprogrammable sequencer, which provides autonomous control of the AFE chip. 6 kB of static random access memory (SRAM) is partitioned for a deep data first in, first out (FIFO) and command FIFO. Measurement commands are stored in the command FIFO and measurement results are stored in the data FIFO. A number of FIFO related interrupts are available to indicate when the FIFO is full.

A number of general-purpose inputs/outputs (GPIOs) are available and controlled using the AFE sequencer. The AFE sequencer allows cycle accurate control of multiple external sensor devices.

The AD5940/AD5941 operate from a 2.8 V to 3.6 V supply and are specified over a temperature range of  $-40^{\circ}\text{C}$  to  $+85^{\circ}\text{C}$ . The AD5940 is packaged in a 56-lead, 3.6 mm  $\times$  4.2 mm WLCSP. The AD5941 is packaged in a 48-lead LFCSP.

## SPECIFICATIONS

AVDD = DVDD = 2.8 V to 3.6 V; the maximum difference between supplies = 0.3 V; IOVDD = 1.8 V  $\pm$  10% and 2.8 V to 3.6 V; the ADC reference, excitation, DAC, and amplifier = 1.82 V, internal reference; low power DAC reference = 2.5 V, internal reference; T<sub>A</sub> = -40°C to +85°C for the AD5940 and AD5941, unless otherwise noted. T<sub>A</sub> = -40°C to 105°C for the AD5941W, unless otherwise noted.

Table 1.

Parameter	Symbol	Min	Typ	Max	Unit	Test Conditions/Comments
<b>BASIC ADC SPECIFICATIONS</b>						
Data Rate <sup>2</sup>	f <sub>SAMPLE</sub>			400	kSPS	Pseudo differential mode measured relative to ADC bias voltage (voltage on VBIAS_CAP <sup>1</sup> pin, 1.11 V), unless otherwise noted; specifications based on high speed mode, unless otherwise noted; ADC voltage channel calibrated in production with PGA gain = 1.5; AFE die clock for the analog domain (ACLK) = 32 MHz or 16 MHz, unless otherwise noted
Resolution <sup>2</sup>		16		200	kSPS	High speed mode; decimation factor = 4
Integral Nonlinearity <sup>2</sup>	INL				Bits	Normal mode; decimation factor = 4
Normal Mode		-4	$\pm$ 2.0	+4	LSB	Number of data bits
Differential Nonlinearity <sup>2</sup>	DNL				LSB	PGA gain = 1.5, 1.82 V internal reference, 1 LSB = 1.82 V $\div$ 2 <sup>15</sup> $\div$ PGA gain
Normal Mode		-5.6	$\pm$ 2.0	+4.7	LSB	PGA gain = 9, 1.82 V internal reference
DC Code Distribution <sup>3</sup>			$\pm$ 6		LSB	PGA gain = 1.5, 1.82 V internal reference; 1 LSB = 1.82 V $\div$ 2 <sup>15</sup> $\div$ PGA gain, no missing codes
			$\pm$ 6		LSB	PGA gain = 1.5, low power mode, ADC input = 0.9 V; ADC output data rate = 200 kSPS; 1 LSB = 1.82 V $\div$ 2 <sup>15</sup>
			$\pm$ 6		LSB	Input channel is low power TIA = 1 $\mu$ A, R <sub>TIA</sub> = 512 k $\Omega$ , R <sub>LOAD</sub> = 10 $\Omega$ , ADC output data rate = 200 kSPS
			$\pm$ 6		LSB	Input channel is high speed TIA = 1 $\mu$ A, R <sub>TIA</sub> = 10 k $\Omega$ , R <sub>LOAD</sub> = 100 $\Omega$ , ADC output data rate = 200 kSPS
<b>ADC ENDPOINT ERRORS</b>						
Offset Error						
Low Power Mode		-600	$\pm$ 200	+600	$\mu$ V	PGA gain = 1.5, low power mode, all channels except AIN3
High Power Mode <sup>2, 4</sup>		-620	$\pm$ 200	+880	$\mu$ V	PGA gain = 1.5, AIN3 only
Drift over Temperature <sup>2</sup>		-1.1	$\pm$ 0.5	+1.4	mV	PGA gain = 1.5
Offset Matching			$\pm$ 3		$\mu$ V/ $^{\circ}$ C	Using 1.82 V internal reference
Full-Scale Error			$\pm$ 2		LSB	Matching compared to AIN3
High Power Mode <sup>2, 4</sup>		-1000	$\pm$ 400	+800	$\mu$ V	PGA gain = 1.5, excluding internal channels and AIN3; both negative and positive full scale; error at both endpoints
Internal Channels <sup>2</sup>		-1000		+1000	$\mu$ V	PGA gain = 1.5, AIN3 only
Gain Drift over Temperature <sup>2</sup>		-2.2	$\pm$ 0.9	+1.82	mV	PGA gain = 1.5
Gain Error Matching			0.2	0.75	% FS	AVDD/2, DVDD/2, VBIAS_CAP, VREF_2V5, VREF_1V82, AVDD_REG
PGA Mismatch Error <sup>2</sup>		-3	$\pm$ 1	+3	$\mu$ V/ $^{\circ}$ C	Full-scale error drift minus offset error drift
PGA Gain = 1 to 1.5			$\pm$ 3		LSB	Mismatch from channel to channel
PGA Gain = 1.5 to 2						ADC offset and gain calibration <sup>5, 6, 7, 8</sup> with a gain value of 1.5
PGA Gain = 2 to 4		-0.2	+0.1	+0.3	%	
PGA Gain = 4 to 9		-0.2	+0.1	+0.3	%	
		-0.65	+0.2	+0.65	%	
		-0.65	+0.2	+0.65	%	
<b>ADC DYNAMIC PERFORMANCE</b>						
Signal-to-Noise Ratio	SNR					f <sub>IN</sub> = 20 kHz sine wave, f <sub>SAMPLE</sub> = 200 kSPS; using AINx voltage input channels; PGA gain = 1.5
						Includes distortion and noise components

## SPECIFICATIONS

Table 1. (Continued)

Parameter	Symbol	Min	Typ	Max	Unit	Test Conditions/Comments	
Total Harmonic Distortion <sup>2</sup> Peak Harmonic or Spurious Noise <sup>2</sup> Channel to Channel Crosstalk <sup>2</sup> Noise (RMS) <sup>9</sup>	THD		80		dB	PGA gain = 1, 1.5, and 2	
				76 <sup>2</sup>		dB	PGA gain = 4
				70 <sup>2</sup>		dB	PGA gain = 9
				-84		dB	
				-86		dB	
				-86		dB	Measured on adjacent channels
ADC INPUT	Input Voltage Ranges <sup>2</sup>					Input to ADC mux	
			0.2		2.1	V	Voltage applied to any input pin
						V	Pseudo differential voltage between VBIAS_CAP pin and analog input from ADC mux
			-0.9		+0.9	V	Gain = 1
			-0.9		+0.9	V	Gain = 1.5
			-0.6		+0.6	V	Gain = 2
			-0.3		+0.3	V	Gain = 4
			-0.133		+0.133	V	Gain = 9
			0.00005		3000	μA	Low power TIA and high speed TIA current input channel ranges
			0.2	1.1	2.1	V	
Common Mode Range <sup>2</sup> Leakage Current		-1.5	±0.5	+1.5	nA	AIN0, AIN1, AIN2, AIN3/BUF_VREF1V82, AIN4/LPF0, AIN6 (T <sub>A</sub> = -40°C to +85°C)	
		-6		+6	nA	CE0, RE0, SE0 and DE0 (T <sub>A</sub> = -40°C to 85°C)	
		-3.5	±0.5	+3.5	nA	AIN0, AIN1, AIN2, AIN3/BUF_VREF1V82, AIN4/LPF0, AIN6 (T <sub>A</sub> = -40°C to +105°C)	
		-8		+8	nA	CE0, RE0, SE0 and DE0 (T <sub>A</sub> = -40°C to +105°C)	
Input Current <sup>2</sup>		-8	±2	+8	nA	AIN0, AIN1, AIN2, AIN3, AIN4, AIN6, CE0, RE0, SE0, and DE0	
Input Capacitance <sup>2</sup> Antialias Filter 3 dB Frequency Range <sup>2</sup> Mode 0 Mode 1 Mode 2			40		pF	During ADC acquisition	
						Three programmable settings	
			50			kHz	
			100			kHz	
ADC Channel Switch Settling Time  Antialias Filter -3 dB Cutoff Frequency <sup>2</sup> 250 kHz 100 kHz 50 kHz			250				
						Time delay required after switching ADC input channel; excludes sinc3 settling time	
		20				μs	
		40				μs	
	60				μs		
DISCRETE FOURIER TRANSFORM (DFT)-BASED IMPEDANCE MEASUREMENTS <sup>2</sup> With High Bandwidth Loop						For impedance (Z) of 1000 Ω (0.1% tolerant resistor), excitation frequency = 0.1 Hz to 200 kHz, sine amplitude = 10 mV rms, R <sub>TIA</sub> = 5 kΩ; R <sub>CAL</sub> = 200 Ω; 1% accurate temperature coefficient 5 ppm/°C; single DFT measurement; DFT using 8192 ADC samples; Hanning on; HSDACCON Bits[8:1] = 0x1B for low power mode and impedance measurements ≤80 kHz; HSDACCON Bits[8:1] = 0x7 for high power mode and impedance measurements ≥80 kHz	

## SPECIFICATIONS

Table 1. (Continued)

Parameter	Symbol	Min	Typ	Max	Unit	Test Conditions/Comments
Accuracy						
Magnitude		-1.25	±0.2	+1.25	%	20 kHz to 200 kHz
			±0.2		%	10 Hz to 20 kHz
			±1		%	1 Hz to <10 Hz
Phase		-0.3	±0.1	+0.3	Degrees	
Three-Resistor Star Cell						
Accuracy						R1 = R2 = R3 = 2.2 Ω (see Figure 17); 0.1 Hz to 200 kHz
Magnitude			±0.5		%	
Phase			±0.5		Degrees	
Accuracy						R1 = R2 = R3 = 100 Ω connected (see Figure 17); 0.1 kHz to 200 kHz
Magnitude			±0.2		%	
Phase			±0.2		Degrees	
With High Bandwidth Loop, 50 kHz, 4-Wire Isolated						For Z = 1 kΩ (0.1% tolerant resistor); excitation frequency = 50 kHz; sine amplitude = 0.6 V p-p; R <sub>TIA</sub> = 1 kΩ; C <sub>TIA</sub> = 32 pF; Isolation Capacitor 1 (C <sub>ISO1</sub> ) = 15 nF; Isolation Capacitor 2 (C <sub>ISO2</sub> ) = Isolation Capacitor 3 (C <sub>ISO3</sub> ) = Isolation Capacitor 4 (C <sub>ISO4</sub> ) = 470 nF; current-limiting resistor (R <sub>LIMIT</sub> ) = 1 kΩ
Accuracy						Device to device repeatability for three devices at 50 kHz
Magnitude			0.26		%	Percentage error
Phase			1		Degrees	
With Low Bandwidth Loop						For Z = 100 kΩ; excitation frequency = 100 Hz; sine amplitude = 1.1 V p-p; R <sub>TIA</sub> = 100 kΩ; C <sub>TIA</sub> = 100 nF; C <sub>ISO1</sub> = 15 nF; C <sub>ISO2</sub> = 470 nF; R <sub>LIMIT</sub> = 1000 Ω
Frequency Range		1		300	Hz	
Accuracy <sup>2</sup>						Device to device repeatability for three devices at 100 Hz
Magnitude			±0.3		%	Percentage error
Precision <sup>2</sup>						
Magnitude			450		Ω	Standard deviation
High Speed Loop						See Figure 17; valid for impedance spectroscopy, voltammetry, and pulse tests
Allowed External Load Capacitance <sup>2</sup>				100	pF	R2 + R3 ≤ 100 Ω; R1 ≤ 100 Ω
				50	pF	R2 + R3 ≤ 500 Ω; R1 ≤ 100 Ω
				40	pF	R2 + R3 ≤ 1600 Ω; R1 ≤ 800 Ω; frequency ≥ 1 kHz
Excitation Amplifier Bandwidth <sup>2</sup>			3		MHz	
Impedance Frequency Range <sup>2</sup>		0.015		200,000	Hz	
LOW POWER TIA AND POTENTIOSTAT						
Input Bias Current <sup>2</sup>						
TIA Amplifier, SE0 Pin			80	200	pA	
Potentiostat Amplifier			20	150	pA	
Offset Voltage <sup>2</sup>			50	150	μV	
Offset Voltage Drift vs. Temperature			1		μV/°C	
Noise <sup>2</sup>						Unity-gain mode; V p-p in 0.1 Hz to 10 Hz range
			1.6		μV	Normal mode (LPTIACON0 Bit 2 = 0)
			2		μV	Half power mode (LPTIACON0 Bit 2 = 1)
Potentiostat Source/Sink Current <sup>2</sup>		-750		+750	μA	Normal mode (LPTIACON0 Bits[4:3] = 00); from CE0
		-3		+3	mA	High current mode (LPTIACON0 Bits[4:3] = 01 or 11 from CE0)
DC PSRR <sup>2</sup>			70		dB	At RE0 pin; R <sub>TIA</sub> = 256 kΩ; R <sub>LOAD</sub> = 10 Ω

## SPECIFICATIONS

Table 1. (Continued)

Parameter	Symbol	Min	Typ	Max	Unit	Test Conditions/Comments
Input Common-Mode Range <sup>2</sup>		300		AVDD – 600	mV	
Output Voltage Range <sup>2</sup>		300		AVDD – 400	mV	Normal mode (LPTIACON0 Bits[4:3] = 00; sink/source = 750 $\mu$ A)
		300		AVDD – 400	mV	High current mode (LPTIACON0 Bits[4:3] = 01 or 11); sink/source = 3 mA
Overcurrent Limit Protection <sup>2</sup>			20		mA	Amplifiers try to limit source/sink current to this value via internal clamp
Allowed Duration of Overcurrent Limit <sup>2</sup>				5	sec	User must limit duration of overcurrent condition to less than 5 sec or risk damaging amplifier
Allowed Frequency of Overcurrent Conditions <sup>2</sup>				1	Per hour	
Short-Circuit Protection <sup>2</sup>			12		mA	When amplifier output is shorted to ground
PROGRAMMABLE RESISTORS						
Low Power TIA R <sub>LOAD</sub> on SE0 Inputs <sup>2</sup>						
0 $\Omega$ R <sub>LOAD</sub> Accuracy		0.01	0.08	0.15	$\Omega$	
10 $\Omega$ R <sub>LOAD</sub> Accuracy		9.8	11.7	13.5	$\Omega$	
30 $\Omega$ R <sub>LOAD</sub> Accuracy		28	33.8	39	$\Omega$	
50 $\Omega$ R <sub>LOAD</sub> Accuracy		48	55	63	$\Omega$	
100 $\Omega$ R <sub>LOAD</sub> Accuracy		88	110	130	$\Omega$	
			$\pm 200$		ppm/ $^{\circ}$ C	10 $\Omega$ , 30 $\Omega$ , 100 $\Omega$ , 1500 $\Omega$ , 3000 $\Omega$ , and 3500 $\Omega$
			$\pm 400$		ppm/ $^{\circ}$ C	50 $\Omega$
Low Power TIA R <sub>TIA</sub> <sup>10</sup> on SE0 Input <sup>2</sup> Accuracy		-5		+20	%	User programmable; includes 1 k $\Omega$ , 2 k $\Omega$ , 3 k $\Omega$ , 4 k $\Omega$ , 6 k $\Omega$ , 8 k $\Omega$ , 10 k $\Omega$ , 16 k $\Omega$ , 20 k $\Omega$ , 22 k $\Omega$ , 30 k $\Omega$ , 40 k $\Omega$ , 64 k $\Omega$ , 100 k $\Omega$ , 128 k $\Omega$ , 160 k $\Omega$ , 192 k $\Omega$ , 256 k $\Omega$ , and 512 k $\Omega$
		100	120	140	$\Omega$	200 $\Omega$ setting with R <sub>LOAD</sub> = 100 $\Omega$
Drift over Temperature Mismatch Error <sup>2</sup>			$\pm 100$		ppm/ $^{\circ}$ C	
		-0.6	+0.2	+0.6	%	Error when moving up or down one R <sub>TIA</sub> value
		-3.5	+0.5	+3.5	%	512 k $\Omega$ to 2 k $\Omega$ range excluding 40 k $\Omega$
			$\pm 20$		%	40 k $\Omega$ (up to 48 k $\Omega$ , down to 32 k $\Omega$ )
					%	200 $\Omega$
High Speed TIA R <sub>TIA</sub> on SE0 Input Accuracy			20		%	User programmable; includes 100 $\Omega$ , 200 $\Omega$ , 1 k $\Omega$ , 5 k $\Omega$ , 10 k $\Omega$ , 20 k $\Omega$ , 40 k $\Omega$ , 80 k $\Omega$ , and 160 k $\Omega$
Drift over Temperature			$\pm 200$		ppm/ $^{\circ}$ C	
High Speed TIA R <sub>LOAD</sub> on SE0 Input <sup>2</sup> Accuracy		102	110	116	$\Omega$	User programmable; includes 10 $\Omega$ , 30 $\Omega$ , 50 $\Omega$ , and 100 $\Omega$
Drift over Temperature			$\pm 160$		ppm/ $^{\circ}$ C	Fixed 100 $\Omega$ target setting
High Speed TIA R <sub>TIA</sub> on DE0 Input <sup>2</sup> Accuracy		100	135	170	$\Omega$	User programmable; includes 0.1 k $\Omega$ , 0.2 k $\Omega$ , 1.5 k $\Omega$ , 10 k $\Omega$ , 20 k $\Omega$ , 40 k $\Omega$ , 80 k $\Omega$ , and 160 k $\Omega$
		190	250	320	$\Omega$	100 $\Omega$ setting
			$\pm 20$		%	200 $\Omega$ setting
Drift over Temperature			$\pm 350$		ppm/ $^{\circ}$ C	1 k $\Omega$ , 5 k $\Omega$ , 10 k $\Omega$ , 20 k $\Omega$ , 40 k $\Omega$ , 80 k $\Omega$ , and 160 k $\Omega$
			$\pm 200$		ppm/ $^{\circ}$ C	100 $\Omega$ and 200 $\Omega$ settings
High Speed TIA R <sub>TIA</sub> Mismatch Error on DE0 <sup>2</sup>					%	Error introduced when moving up or down one R <sub>TIA</sub> value
		-3.5	+1	+3.5	%	160 k $\Omega$ to 5 k $\Omega$ range
		-25	$\pm 2$	+5	%	1 k $\Omega$ , 200 $\Omega$ , and 100 $\Omega$

## SPECIFICATIONS

Table 1. (Continued)

Parameter	Symbol	Min	Typ	Max	Unit	Test Conditions/Comments
High Speed TIA $R_{LOAD}$ on DE0 Input <sup>2</sup>						Load resistor on the DE0 pin ( $R_{LOAD\_DE0}$ )
Accuracy		0.001		0.15	$\Omega$	0 $\Omega$ setting
		5		11	$\Omega$	10 $\Omega$ setting
		26.5	32.6	37.6	$\Omega$	30 $\Omega$ setting
			$\pm 15$	40	%	50 $\Omega$ and 100 $\Omega$ settings
Drift over Temperature			$\pm 0.2$		%/ $^{\circ}\text{C}$	10 $\Omega$ setting
			$\pm 200$		ppm/ $^{\circ}\text{C}$	Excludes $R_{LOAD} = 0 \Omega$ and 10 $\Omega$
<b>HIGH SPEED TIA</b>						
Bias Current <sup>2</sup>			1		nA	
Maximum Current Sink/Source <sup>2</sup>		-3		+3	mA	Ensure $R_{TIA}$ selection generates an output voltage of $< \pm 900$ mV with PGA gain = 1
Input Common-Mode Range <sup>2</sup>		300		AVDD - 700	mV	
Output Voltage Range <sup>2</sup>		200		AVDD - 400	mV	
Overcurrent Limit Protection <sup>2</sup>			17		mA	Amplifier attempts to limit the source/sink current to this value via the internal clamp; tested with $R_{LOAD} = 0 \Omega$ and $R_{TIA} = 100 \Omega$
Allowed Duration of Overcurrent Limit <sup>2</sup>				5	sec	
Allowed Frequency of Overcurrent Conditions <sup>2</sup>				1	Per hour	
Short-Circuit Protection <sup>2</sup>			12		mA	When amplifier output is shorted to ground
<b>LOW POWER, ON-CHIP VOLTAGE REFERENCE</b>						
Accuracy				$\pm 5$	mV	0.47 $\mu\text{F}$ from VREF_2V5 to AGND; reference is measured with low power voltage DAC and output amplifier enabled $T_A = 25^{\circ}\text{C}$
Noise <sup>2</sup>			60		$\mu\text{V}$ p-p	
Reference Temperature Coefficient <sup>2, 15</sup>		-25	$\pm 10$	+25	ppm/ $^{\circ}\text{C}$	
PSRR						
DC			70		dB	
AC <sup>11</sup>			48		dB	AC 1 kHz; 50 mV p-p ripple applied to AVDD supply
<b>HIGH POWER, ON-CHIP VOLTAGE REFERENCE</b>						
Accuracy				$\pm 5$	mV	0.47 $\mu\text{F}$ from VREF_1V82 to AGND; reference is measured with ADC enabled $T_A = 25^{\circ}\text{C}$
Reference Temperature Coefficient <sup>2</sup>		-20	$\pm 5$	+20	ppm/ $^{\circ}\text{C}$	
PSRR						
DC <sup>12</sup>			85		dB	DC; variation due to AVDD supply changes
AC			60		dB	AC; 1 kHz, 50 mV p-p ripple applied to AVDD supply
ADC Common-Mode Reference Source <sup>2</sup>			1.11		V	470 nF from bias capacitor on ADC (VBIAS_CAP) to AGND; reference is measured with ADC enabled
Accuracy <sup>2</sup>				$\pm 5$	mV	$T_A = 25^{\circ}\text{C}$
Reference Temperature Coefficient <sup>2</sup>		-20		+20	ppm/ $^{\circ}\text{C}$	
DC Power Supply Rejection Ratio	PSRR		80		dB	DC variation due to AVDD supply changes
AC Power Supply Rejection Ratio	PSRR		60		dB	AC 1 kHz, 50 mV p-p ripple applied to AVDD supply
<b>LOW POWER, DUAL OUTPUT DAC (<math>V_{BIAS0}</math><sup>13</sup> AND <math>V_{ZERO0}</math>)</b>						
Resolution <sup>2</sup>						$V_{BIAS0}$ specifications derived from measurements taken with potentiostat in unity-gain mode and measured at CE0; $V_{ZERO0}$ specifications derived from measurements at $V_{ZERO0}$ ; dual output low power DAC Number of data bits
12-Bit Mode		12			Bits	
6-Bit Mode		6			Bits	

## SPECIFICATIONS

Table 1. (Continued)

Parameter	Symbol	Min	Typ	Max	Unit	Test Conditions/Comments
Relative Accuracy <sup>2</sup>	INL					
12-Bit Mode		-3.5	±1	+3	LSB	1 LSB = 2.2 V/(2 <sup>12</sup> - 1)
6-Bit Mode		-3.5	±0.5	+2	LSB	1 LSB = 2.2 V/2 <sup>6</sup>
Differential Nonlinearity <sup>2</sup>	DNL					
12-Bit Mode		-0.99		+2.5	LSB	Guaranteed monotonic, 1 LSB = 2.2 V/(2 <sup>12</sup> - 1)
6-Bit Mode		-0.5		+0.5	LSB	Guaranteed monotonic, 1 LSB = 2.2 V/2 <sup>6</sup>
Offset Error <sup>2</sup>		-7	±3.9	+7	mV	V <sub>BIAS0</sub> /V <sub>ZERO0</sub> in 12-bit mode; 2.5 V internal reference, DAC output code = 0x000; Target 0x000 code = 200 mV
Drift over Temperature			±0.2	+2.6	mV	Differential offset voltage of V <sub>BIAS0</sub> referred to V <sub>ZERO0</sub>
Differential Offset V <sub>BIAS0</sub> to V <sub>ZERO0</sub> ≈ 0 V <sup>2</sup>			±5		μV/°C	V <sub>BIAS0</sub> or V <sub>ZERO0</sub> referred to AGND
Differential Offset V <sub>BIAS0</sub> to V <sub>ZERO0</sub> ≈ ±600 mV <sup>2</sup>				4	μV/°C	Differential offset voltage of V <sub>BIAS0</sub> referred to V <sub>ZERO0</sub> ; -40°C to +60°C range; LPDACDAT0 = 0x1A680
Differential Offset V <sub>BIAS0</sub> to V <sub>ZERO0</sub> ≈ ±600 mV <sup>2</sup>				10	μV/°C	Differential offset voltage of V <sub>BIAS0</sub> referred to V <sub>ZERO0</sub> ; -40°C to +60°C range; LPDACDAT0 = 0x1AAE0
Gain Error <sup>2</sup>			±0.2	±0.5	%	12-bit mode, DAC code = 0xFFFF with target voltage of 2.4 V
Drift over Temperature			10		ppm/°C	Using internal low power reference
Analog Outputs						
Output Voltage Range <sup>2</sup>						LSB size = 2.2/(2 <sup>12</sup> - 1); the input common-mode voltage of the low power potentiostat amplifier and low power TIA = AVDD - 600 mV
12-Bit Outputs		0.2		2.4	V	AVDD ≥ 2.8 V
6-Bit Outputs						LSB size is 2.2/2 <sup>6</sup> ; the input common-mode voltage of the low power potentiostat amplifier and low power TIA = AVDD - 600 mV
AVDD to V <sub>BIAS0</sub> /V <sub>ZERO0</sub> Headroom Voltage <sup>2</sup>		0.2		2.366	V	AVDD ≥ 2.8 V
		0.2		2.3	V	AVDD < 2.8V
		400			mV	A minimum headroom between AVDD and V <sub>BIAS0</sub> /V <sub>ZERO0</sub> output voltage, increases to 600 mV if connected to low power TIA or low power low power potentiostat amplifiers
Output Impedance <sup>2</sup>			1.65		MΩ	
DAC AC Characteristics						
Output Settling Time			1.5		sec	Settled to ±2 LSB <sub>12</sub> with 0.1 μF load for ¼ of full scale to ¾ of full scale
Output Settling Time			500		μs	Settled to ±2 LSB <sub>12</sub> ; no load
Glitch Energy			±5		nV/sec	1 LSB change when the maximum number of bits changes simultaneously in the LPDACDAT0 register; switch to external capacitors on V <sub>BIAS0</sub> /V <sub>ZERO0</sub> opened; no capacitors on CE0 and RC0_x pins
EXCITATION DAC/PGA/ RECONSTRUCTION FILTER						Use HSDACDAT register range of 0x200 to 0xE00; specified for gain = 2 (HSDACCON Bit 12 and Bit 0 = 0); for gain = 0.05 (HSDACCON Bit 12 and Bit 0 = 1)
DAC						
Common-Mode Voltage Range <sup>2</sup>		0.2		AVDD - 0.6	V	Set by the negative node of the excitation amplifier
Resolution <sup>2</sup>		12			Bits	1 LSB = 293 μV × programmable gain
Differential Nonlinearity <sup>2</sup>	DNL	-0.99		+1.25	LSB	Gain = 2
Integral Nonlinearity <sup>2</sup>	INL		±7	±20	LSB	Gain = 0.05
			±2	±3	LSB	Gain = 2
			±8	±20	LSB	Gain = 0.05
			±0.6	±3	LSB	Gain = 2

## SPECIFICATIONS

Table 1. (Continued)

Parameter	Symbol	Min	Typ	Max	Unit	Test Conditions/Comments
Full-Scale Error <sup>2, 14</sup>						
Positive		600	630	650	mV	Gain = 2, DAC code = 0xE00
			15.1		mV	Gain = 0.05, DAC code = 0xE00
Negative		-660	-640	-620	mV	Gain = 2, DAC code = 0x200
			-15.1		mV	Gain = 0.05, DAC code = 0x200
Gain Error Drift over Temperature <sup>2</sup>						
Gain = 2			11.5		$\mu\text{V}/^\circ\text{C}$	
Gain = 0.05			0.33		$\mu\text{V}/^\circ\text{C}$	
Offset Error (Midscale)						Measured at an output of the excitation loop across $R_{\text{CAL}}$ ; DAC code = 0x800
			$\pm 25$		mV	Gain = 2
			$\pm 0.5$		mV	Gain = 0.05
Offset Error Drift over Temperature						
Gain = 2			40		$\mu\text{V}/^\circ\text{C}$	
Gain = 0.05			5		$\mu\text{V}/^\circ\text{C}$	
DC PSRR <sup>2</sup>			70		dB	DC variation due to AVDD supply changes
PGA, Programmable Gain <sup>2</sup>		0.05		2	Gain	
Reconstruction Filter						
3 dB Corner Frequency Accuracy			$\pm 5$		%	Programmable to 50 kHz, 100 kHz, and 250 kHz
Allowed External Load Capacitance <sup>2</sup>						SE0, DE0, AINx, and RCAL0/RCAL1 pins
<80 kHz (Low Power Mode)				100	pF	
>80 kHz (High Power Mode)				80	pF	
Overcurrent Limit Protection <sup>2</sup>			15		mA	Amplifier attempts to limit the source/sink current to this value via the internal clamp
Allowed Duration of Overcurrent Limit <sup>2</sup>				5	sec	
Allowed Frequency of Overcurrent Conditions <sup>2</sup>				1	Per hour	
Short-Circuit Protection <sup>2</sup>			10		mA	When amplifier output is shorted to ground
SWITCH MATRIX						
On Resistance <sup>2</sup>	$R_{\text{ON}}$					Switches on analog front end before ADC mux Characterized with a voltage sweep from 0 V to AVDD; production tested at 2.8 V
Current Carrying Switches			40	80	$\Omega$	Tx/TR1 switches, except T5 and T7
			30	52	$\Omega$	T5 and T7 switches only
			35	70	$\Omega$	Dx/DR0 switches
Noncurrent Carrying Switches			1	5	k $\Omega$	Nx/Nxx and Px/Pxx switches
DC Off Leakage			370		pA	Analog input pin used for test driven to 0.3 V
DC On Leakage <sup>2</sup>			530	2000	pA	Analog input pin used for test driven to 0.3 V
TEMPERATURE SENSOR						
Resolution			0.3		$^\circ\text{C}$	
Accuracy			$\pm 2$		$^\circ\text{C}$	Measurement taken immediately after exiting hibernate mode; user single-point calibration required
POWER-ON RESET	POR					Refers to voltage on DVDD pin
POR Trip Level						
Power-On		1.59	1.62	1.72	V	
Power-Down <sup>2</sup>		1.799	1.8	1.801	V	
POR Hysteresis <sup>1</sup>			10		mV	
Delay Between POR Power-On and Power-Down Trip Levels <sup>2</sup>		110			ms	After DVDD passes POR power-on trip level, DVDD must remain at or above power-down level for this period

## SPECIFICATIONS

Table 1. (Continued)

Parameter	Symbol	Min	Typ	Max	Unit	Test Conditions/Comments
External Reset Minimum Pulse Width <sup>2</sup>		1			μs	Minimum pulse width required on external reset pin to trigger a reset
WAKE-UP TIMER <sup>2</sup> Shortest Duration			31.25		μs	
Longest Duration			32		sec	
DIGITAL INPUTS						
Input Leakage Current <sup>2</sup> Logic 1 GPIO			1	±5	nA	Voltage input high ( $V_{IH}$ ) = IOVDD, pull-up resistor disabled
Logic 0 GPIO			1	±10	nA	Voltage input low ( $V_{IL}$ ) = 0 V, pull-up resistor disabled
Input Capacitance <sup>2</sup>			10		pF	
Pin Capacitance <sup>2</sup> XTALI			10		pF	
XTALO			10		pF	
GPIO Input Voltage Low	$V_{INL}$			$0.25 \times$ IOVDD	V	
High	$V_{INH}$	$0.57$ $\times$ IOVDD			V	
XTALI Input Voltage <sup>2</sup> Low	$V_{INL}$		1.1		V	
High	$V_{INH}$		1.7		V	
LOGIC INPUTS						
GPIO Input Voltage <sup>2</sup> Low	$V_{INL}$			$0.25 \times$ IOVDD	V	
High	$V_{INH}$	$0.57 \times$ IOVDD			V	
Pull-Up Current <sup>2</sup>		30		130	μA	Input voltage ( $V_{IN}$ ) = 0 V; DVDD = 3.6 V
LOGIC OUTPUTS						All digital outputs, excluding XTALO
GPIO Output Voltage <sup>2,15</sup> High	$V_{OH}$	IOVDD - 0.4			V	Source current ( $I_{SOURCE}$ ) = 2 mA
Low	$V_{OL}$			0.35	V	Sink current ( $I_{SINK}$ ) = 2 mA
Pull-Down Current <sup>2</sup>		30		100	μA	$V_{IN} = 3.3$ V
GPIO Short-Circuit Current			11.5		mA	
PIN SUPPLY RANGE FOR 1.8 V INPUT/ OUTPUT <sup>2</sup>		1.62	1.8	1.98	V	
Input Voltage Low	$V_{INL}$		$0.3 \times$ pin supply		V	
High	$V_{INH}$		$0.7 \times$ pin supply		V	
Output Voltage Low	$V_{OL}$		0.45		V	$I_{SINK} = 1.0$ mA
High	$V_{OH}$		Pin supply - 0.5		V	$I_{SOURCE} = 1.0$ mA
OSCILLATORS						
Internal System Oscillator			16 or 32		MHz	

## SPECIFICATIONS

Table 1. (Continued)

Parameter	Symbol	Min	Typ	Max	Unit	Test Conditions/Comments
Accuracy						
16 MHz Mode			±0.5	±3	%	
32 MHz Mode			±0.5	±3	%	
External Crystal Oscillator			16	32	MHz	Can be selected in place of the internal oscillator
Logic Inputs, XTALI Only						
Input Low Voltage	$V_{INL}$		1.1		V	
Input High Voltage	$V_{INH}$		1.7		V	
XTALI Input Capacitance			8		pF	
XTALO Output Capacitance			8		pF	
32 kHz Internal Oscillators			32.768		kHz	Used for watchdog <sup>16</sup> timers and wake-up timers
Accuracy			±5	±15	%	
EXTERNAL INTERRUPTS						
Pulse Width <sup>2</sup>						
Level Triggered		7			ns	
Edge Triggered		1			ns	
POWER REQUIREMENTS						
Power Supply Voltage Range (AVDD to AGND, DVDD to DGND, and IOVDD to DGND)		2.8	3.3	3.6	V	
IOVDD <sup>17</sup>		1.62	1.8	1.98	V	
AVDD Current			0.56	0.74	mA	Analog peripheral in idle mode
Hibernate Mode			8.5		μA	Only low power DAC, potentiostat amplifiers, low power reference, low power TIA, and 32 kHz oscillator active
			6.5 <sup>2</sup>		μA	Only low power DACs, potentiostat amplifier, low power reference, and 32 kHz oscillator active; potentiostat amplifier and low power TIA in half power mode
			1.8 <sup>2</sup>		μA	Lowest power mode; only wake-up timer active; all analog peripherals powered down
Impedance Measurement Modes <sup>2</sup>						
Impedance Spectroscopy Mode			9.1		mA	When ac impedance engine, ADC and sequencer are active
50 kHz Impedance Measurement			106		μA	50 kHz excitation signal; DFT enabled with DFT sample number = 2048; 1 Hz output data rate (ODR)
100 Hz Impedance Measurement			65		μA	When low power loop creates sine wave at 100 Hz and the receive channel and DFT engine is duty cycled, with DFT sample number = 16, gives 4 Hz ODR
Additional Power Supply Currents <sup>2</sup>						
ADC			1.5		mA	ADC frequency ( $f_{ADC}$ ) = 200 kSPS, ADC clock is 16 MHz
			3.45		mA	$f_{ADC}$ = 400 kSPS, ADC clock is 32 MHz
High Speed TIA			0.3		mA	Low power mode
			0.9			High power mode
High Speed DAC						Includes excitation amplifier and instrumentation amplifier
			2.2		mA	Low power mode
			4.5		mA	High power mode
DFT Hardware Accelerator			550		μA	
Low Power Reference			1.65		μA	
Low Power DACs for $V_{ZERO0}$ and $V_{BIAS0}$			2.3		μA	Low power DAC powered up, excluding load current
Low Power TIA and Potentiostat Amplifier			2		μA	Per amplifier, normal mode
			1		μA	Per amplifier, half power mode

## SPECIFICATIONS

Table 1. (Continued)

Parameter	Symbol	Min	Typ	Max	Unit	Test Conditions/Comments
START-UP TIME						Processor clock = 16 MHz
AFE Wake-Up <sup>2</sup>			30		ms	Wake-up time to allow communication on SPI bus
ADC Wake-Up <sup>2</sup>			80	180	μs	Time delay required on exiting hibernate mode before starting ADC conversions

<sup>1</sup> VBIAS\_CAP is only meant for internal biasing within the IC.

<sup>2</sup> Guaranteed by design, not production tested.

<sup>3</sup> Code distribution can be reduced if ADC output rate is reduced by using sinc2 filter option.

<sup>4</sup> ADC offset and gain not calibrated for high power mode in production. User calibration can eliminate this error.

<sup>5</sup> There is a correction factor of 1.835 V introduced to the ADC code to voltage conversion as a result of the calibration to the ADC.

<sup>6</sup> A 1.835 V/1.82 V factor must be added while performing the calibration.

<sup>7</sup> The 1.82 V reference is used to calibrate the ADC offset and gain.

<sup>8</sup> If the ADC is calibrated and there is a hardware reset, the calibration registers are cleared to the default value. One way around this clear is to store the calibrated values in the MCU flash during factory calibration and load those values on power-up.

<sup>9</sup> Noise can be reduced if ADC sample rate is reduced using the sinc2 filter. See Table 2 for ADC rms noise: digital filter settings.

<sup>10</sup> The low power TIA gain resistor must be calibrated regularly because the resistor has a high temperature drift.

<sup>11</sup> See Figure 7 for details.

<sup>12</sup> See Figure 9 for details.

<sup>13</sup> VBIAS0 can be used for sourcing the offset voltage to external amplifiers.

<sup>14</sup> High speed DAC offset calibration can remove this error. See the High Speed DAC Calibration Options section for details.

<sup>15</sup> Measured using the box method.

<sup>16</sup> The watchdog can be turned off during system initialization.

<sup>17</sup> IOVDD can optionally be powered from a 1.8 V supply rail.

## ADC RMS NOISE SPECIFICATIONS

The internal 1.82 V reference is used for all measurements.

Note that there is a correction factor of 1.835 V introduced to the ADC code to voltage conversion as a result of the ADC calibration. Although a 1.82 V reference is used to calibrate the ADC offset and gain, 1.835/1.82 factor is needed to be multiplied during the calibration. If the ADC is calibrated and there is a hardware reset, the calibration registers clear to the default value. The low power TIA gain resistor must be calibrated regularly because this resistor has a high temperature drift.

## ADC RMS Noise: Digital Filter Settings

Table 2 provides the rms noise specifications for the ADC with different ADC digital filter settings.

Table 2. ADC RMS Noise<sup>1</sup>

Update Rate (Hz)	Sinc3 Oversampling Rate (OSR)	Sinc2 OSR	Gain = 1 rms Noise (μV)	Gain = 1.5 rms Noise (μV)	Gain = 2 rms Noise (μV)	Gain = 4 rms Noise (μV)	Gain = 9 rms Noise (μV)
200,000	4	Not applicable	72.43	49.732	37.83	18.93	8.62
9090	4	22	29.29	19.59	10.4	6.687	4.42
900	5	178	24.0	17.11	12.832	6.416	1.018

<sup>1</sup> Noise can be reduced if ADC sample rate is reduced using the sinc2 filter.

## ADC RMS Noise: Peak-to-Peak Effective Bits

Table 3 provides the rms and peak-to-peak effective bits based on the noise results in Table 2 for various PGA gain settings (peak-to-peak effective bits results are shown in parentheses). To calculate the rms bits, use the following equation:

**SPECIFICATIONS**

$$\log_2 ((2 \times \text{Input Range})/\text{RMS Noise}) \tag{1}$$

where:

*Input Range* is the input voltage range to the ADC.

*RMS Noise* is the rms of the noise.

To calculate the peak-to-peak effective bits, use the following equation:

$$\log_2 ((2 \times \text{Input Range})/(6.6 \times \text{RMS Noise})) \tag{2}$$

**Table 3. ADC Effective Bits Based on RMS Noise**

Update Rate (Hz)	Sinc3 OSR	Sinc2 OSR	Gain = 1	Gain = 1.5	Gain = 2	Gain = 4	Gain = 9	Settling Time <sup>1</sup>	Settling Time <sup>2</sup>
200,000	4	Not applicable	14.6 (11.9 p-p)	15 (12.4 p-p)	14.95 (12.23 p-p)	14.95 (12.23 p-p)	14.9 (12.15 p-p)	16.25 μs	16.25 μs
9090	4	22	15 (13.18 p-p)	15 (13.8 p-p)	15 (14.09 p-p)	15 (13.73 p-p)	15 (13.15 p-p)	236.25 μs	236.25 μs
900	5	178	15 (13.47 p-p)	15 (13.96 p-p)	15 (13.8 p-p)	15 (13.79 p-p)	15 (15 p-p)	2.245 ms	37 ms

<sup>1</sup> Settling time except for 50 Hz and 60 Hz notch filter enables.

<sup>2</sup> Settling time including 50 Hz and 60 Hz notch filter enables.

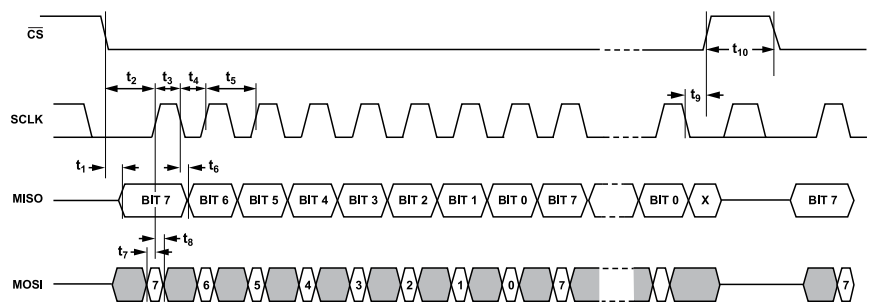
**SPI TIMING SPECIFICATIONS**

MOSI and MISO are launched on the falling edge of SCLK and sampled on the rising edge of SCLK by the host and the AD5940/AD5941, respectively. IOVDD = 2.8 V – 3.6 V and 1.8 V ±10%, unless otherwise noted.

**Table 4.**

Parameter	Time	Unit	Description
t <sub>1</sub>	190	ns maximum	$\overline{\text{CS}}$ falling edge to MISO setup time
t <sub>2</sub>	5	ns minimum	$\overline{\text{CS}}$ low to SCLK setup time
t <sub>3</sub>	40	ns minimum	SCLK high time
t <sub>4</sub>	40	ns minimum	SCLK low time
t <sub>5</sub>	80	ns minimum	SCLK period
t <sub>6</sub>	27	ns maximum	SCLK falling edge to MISO delay
t <sub>7</sub>	5	ns minimum	MOSI to SCLK rising edge setup time
t <sub>8</sub>	5	ns minimum	MOSI to SCLK rising edge hold time
t <sub>9</sub>	19	ns minimum	SCLK falling edge to hold time $\overline{\text{CS}}$
t <sub>10</sub>	80	ns minimum	$\overline{\text{CS}}$ high time
t <sub>WK</sub>	22	μs typical	AD5940/AD5941 wake-up time (not shown in Figure 3)

**SPI Timing Diagram**



**Figure 3. SPI Interface Timing Diagram**

## ABSOLUTE MAXIMUM RATINGS

Table 5.

Parameter	Rating
AVDD to AGND	-0.3 V to +3.9 V
DVDD to DGND	-0.3 V to +3.9 V
IOVDD to DGND	-0.3 V to +3.9 V
Analog Input Voltage to AGND	-0.3 V to AVDD +0.3 V
Digital Input Voltage to DGND	-0.3 V to DVDD +0.3 V
Digital Output Voltage to DGND	-0.3 V to DVDD +0.3 V
AGND to DGND	-0.3 V to +0.3 V
Total GPIOx Pins Current	
Positive	0 mA to 30 mA
Negative	-30 mA to 0 mA
Storage Temperature Range	-65°C to +150°C
Operating Temperature Range	
AD5940/AD5941	-40°C to +85°C
AD5941W	-40°C to +105°C
Reflow Profile	
Moisture Sensitivity Level 3 (MSL3)	J-STD 020E (JEDEC)
Junction Temperature	150°C
Electrostatic Discharge (ESD)	
Human Body Model (HBM)	4 kV
Field Induced Charged Device Model (FICDM)	750 V
Machine Model (MM)	100 V

Stresses at or above those listed under Absolute Maximum Ratings may cause permanent damage to the product. This is a stress rating only; functional operation of the product at these or any other conditions above those indicated in the operational section of this specification is not implied. Operation beyond the maximum operating conditions for extended periods may affect product reliability.

## THERMAL RESISTANCE

Thermal performance is directly linked to printed circuit board (PCB) design and operating environment. Close attention to PCB thermal design is required.

$\theta_{JA}$  is the natural convection junction to ambient thermal resistance measured in a one cubic foot sealed enclosure.

$\theta_{JC}$  is the junction to case thermal resistance.

Table 6. Thermal Resistance

Package Type <sup>1</sup>	$\theta_{JA}$	$\theta_{JC}$	Unit
CB-56-3	33.0702	0.0642	°C/W
CP-48-4	32.03	2.85	°C/W

<sup>1</sup> Thermal impedance simulated values are based on a JEDEC 2S2P thermal test board. See JEDEC JESD51.

## ESD CAUTION



**ESD (electrostatic discharge) sensitive device.** Charged devices and circuit boards can discharge without detection. Although this product features patented or proprietary protection circuitry, damage may occur on devices subjected to high energy ESD. Therefore, proper ESD precautions should be taken to avoid performance degradation or loss of functionality.

PIN CONFIGURATION AND FUNCTION DESCRIPTIONS

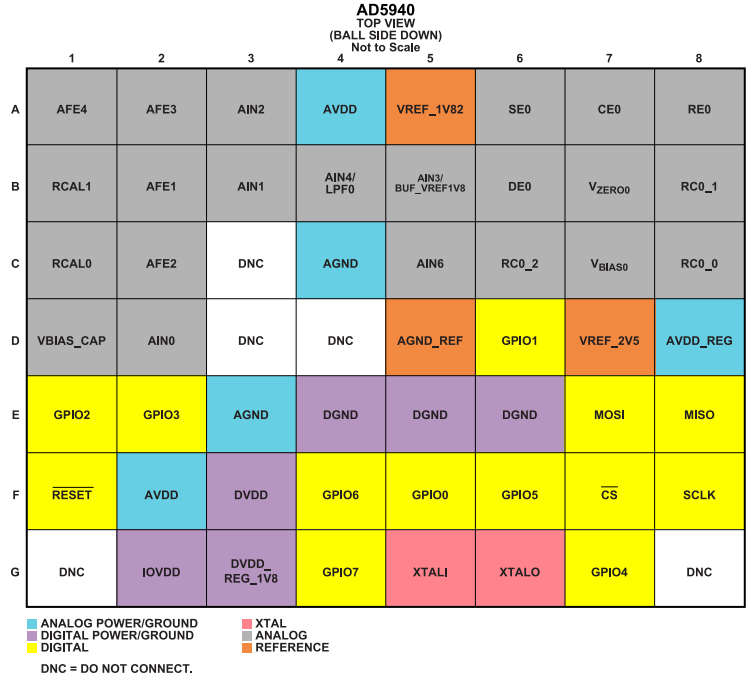


Figure 4. AD5940 Pin Configuration

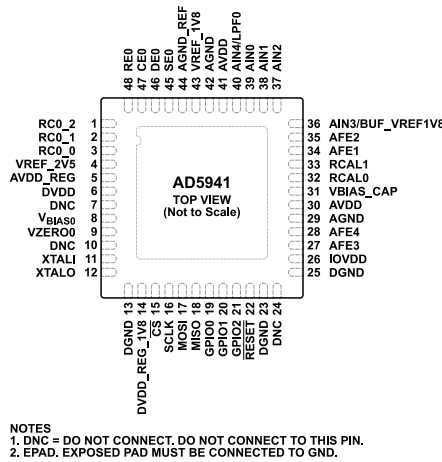


Figure 5. AD5941 Pin Configuration

Table 7. Pin Function Descriptions

Pin No.		Mnemonic	Input/Output Supply	Description
AD5940	AD5941			
A1	28	AFE4	Analog	Uncommitted Analog Front End Pin 4.
A2	27	AFE3	Analog	Uncommitted Analog Front End Pin 3.
A3	37	AIN2	Analog	Uncommitted Analog Input Pin 2. This pin connects to the switch matrix.
A4	41	AVDD	Supply	Analog Circuit Power. Short this pin to Pin F2 (AVDD).
A5	43	VREF_1V82	Analog	1.82 V Reference Decoupling Capacitor Pin. The recommended capacitor value is 4.7 μF.
A6	45	SE0	Analog	Sense Electrode Input Pin for High Bandwidth and Low Bandwidth Loop Circuits. This pin connects to the switch matrix.

## PIN CONFIGURATION AND FUNCTION DESCRIPTIONS

Table 7. Pin Function Descriptions (Continued)

AD5940	Pin No.		Input/Output Supply	Description
	AD5941	Mnemonic		
A7	47	CE0	Analog	Counter Electrode Input Pin for High Bandwidth and Low Bandwidth Loop Circuits. This pin connects to the switch matrix.
A8	48	RE0	Analog	Reference Electrode Input Pin for High Bandwidth and Low Bandwidth Loop Circuits. This pin connects to positive node of the switch matrix.
B1	33	RCAL1	Analog	Terminal B of Calibration Resistor (R <sub>CAL</sub> ). Connect this pin to the switch matrix.
B2	34	AFE1	Analog	Uncommitted Analog Front End Pin 1.
B3	38	AIN1	Analog	Uncommitted Analog Input Pin 1. This pin connects to the switch matrix.
B4	40	AIN4/LPF0	Analog	Uncommitted Analog Input Pin 4 (AIN4). Low Power TIA Output Low-Pass Filter Capacitor Pin (LPF0).
B5	36	AIN3/BUF_VREF1V8	Analog	Uncommitted Analog Input Pin 3 (AIN3). 1.82 V Reference Buffered Output (BUF_VREF1V8). This pin connects to the switch matrix.
B6	46	DE0	Analog	Analog Input Pin. This pin connects to the input and output of the high speed TIA.
B7	9	V <sub>ZERO0</sub>	Analog	Low Power, Dual-Output DAC, Zero Voltage Output Pin. Connect a 100 nF capacitor to this pin.
B8	2	RC0_1	Analog	Low Power TIA Reconstruction Filter 0 Feedback Pin 1. This pin is connected to the output of the low power TIA.
C1	32	RCAL0	Analog	Terminal A of Calibration Resistor. Connect this pin to the switch matrix.
C2	35	AFE2	Analog	Uncommitted Analog Front End Pin 2.
C3, D3	N/A	DNC	Analog	Do Not Connect. Do not connect to this pin.
C4	42	AGND	Ground	Analog Ground. Short this pin to Pin E3 (AGND).
C5	N/A	AIN6	Analog	Uncommitted Analog Input Pin 6.
C6	1	RC0_2	Analog	Low Power TIA Reconstruction Filter 0 Pin 2. This pin can be left open (optional).
C7	8	V <sub>BIAS0</sub>	Analog	Low Power, Dual-Output DAC Bias Voltage Output Pin. Connect a 100 nF capacitor to this pin.
C8	3	RC0_0	Analog	Low Power TIA Feedback Pin. This pin is connected to the feedback of the low power TIA.
D1	31	VBIAS_CAP	Analog	ADC 1.11 V Input Bias Decoupling Capacitor Pin. The recommended capacitor value is 470 nF.
D2	39	AIN0	Analog	Uncommitted Analog Input Pin 0. This pin connects to the switch matrix.
D4, G1, G8	7, 10, 24	DNC	Not applicable	Do Not Connect. Do not connect to this pin.
D5	44	AGND_REF	Ground	Analog Reference Ground.
D6	20	GPIO1	Digital input/output	General-Purpose Input/Output Pin 1.
D7	4	VREF_2V5	Analog	2.5 V Analog Reference Decoupling Capacitor Pin. Connect a 470 nF capacitor to this pin.
D8	5	AVDD_REG	Supply	Analog Regulator Decoupling Capacitor Pin.
E1	21	GPIO2	Digital input/output	General-Purpose Input/Output Pin 2.
E2	N/A	GPIO3	Digital input/output	General-Purpose Input/Output Pin 3.
E3	29	AGND	Ground	Analog Ground. Short this pin to Pin C4.
E4 to E6	13, 23, 25	DGND	Ground	Digital Ground.
E7	17	MOSI	Digital input	SPI Initiator Output, Target Input.
E8	18	MISO	Digital output	SPI Initiator Input Target Output.
F1	22	RESET	Digital input	Reset Pin, Active Low.
F2	30	AVDD	Supply	Analog 3.3 V Circuit Power.
F3	6	DVDD	Supply	Digital Circuit Power.
F4	N/A	GPIO6	Digital input/output	General-Purpose Input/Output Pin 6.
F5	19	GPIO0	Digital input/output	General-Purpose Input/Output Pin 0.
F6	N/A	GPIO5	Digital input/output	General-Purpose Input/Output Pin 5.
F7	15	CS	Digital input/output	SPI Chip Select.

## PIN CONFIGURATION AND FUNCTION DESCRIPTIONS

Table 7. Pin Function Descriptions (Continued)

Pin No.		Mnemonic	Input/Output Supply	Description
AD5940	AD5941			
F8	16	SCLK	Digital input	SPI Clock.
G2	26	IOVDD	Supply	Digital Input/Output Supply Pin. DVDD (Pin F3) must be driven before IOVDD is enabled.
G3	14	DVDD_REG_1V8	Analog	1.8 V Digital Regulator Decoupling Capacitor Pin. Connect a 470 nF capacitor to this pin.
G4	N/A	GPIO7	Digital input/output	General-Purpose Input/Output Pin 7.
G5	11	XTALI	Digital Input	16 MHz External Crystal Input Pin.
G6	12	XTALO	Digital output	16 MHz External Crystal Output Pin.
G7	N/A	GPIO4	Digital input/output	General-Purpose Input/Output Pin 4.

TYPICAL PERFORMANCE CHARACTERISTICS

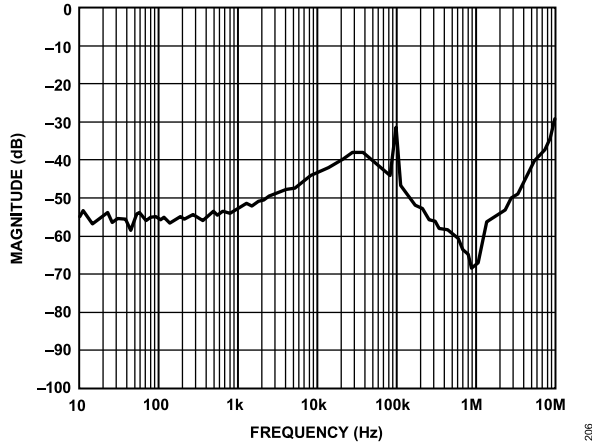


Figure 6. Magnitude vs. Frequency, ADC 1.82 V Voltage Reference AC PSRR

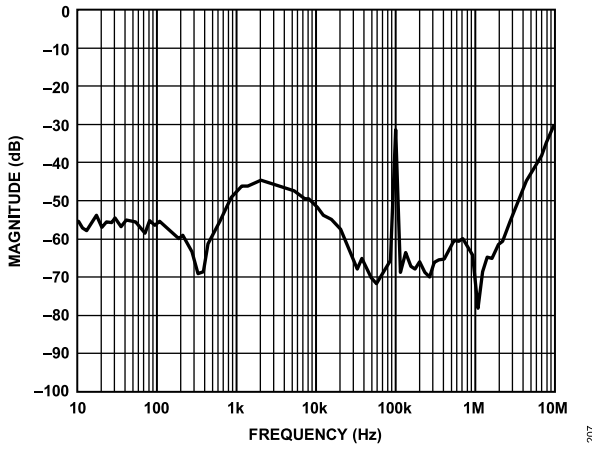


Figure 7. Magnitude vs. Frequency, Low Power 2.5 V Voltage Reference AC PSRR

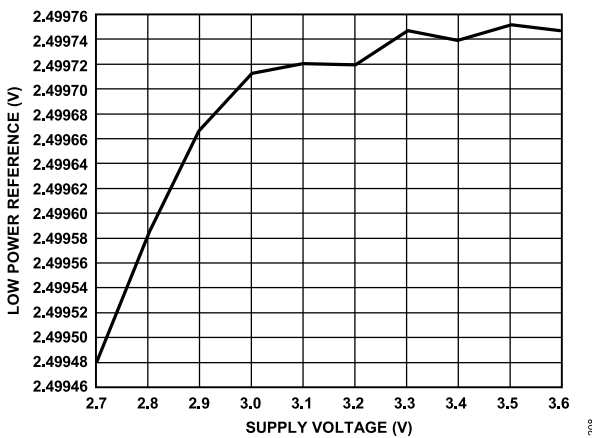


Figure 8. Low Power Reference (2.5 V) vs. Supply Voltage, DC PSRR

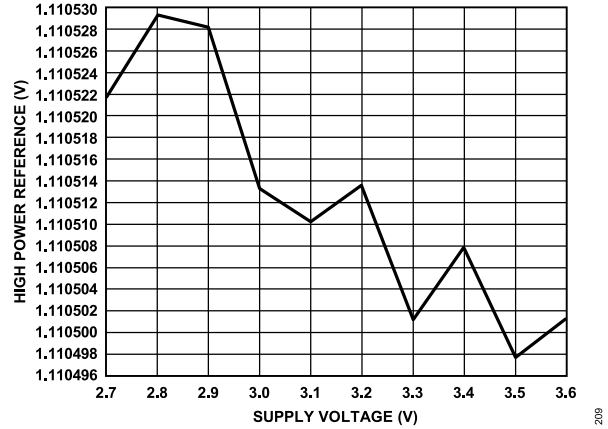


Figure 9. High Power Reference vs. Supply Voltage, 1.11 V Voltage Reference DC PSRR

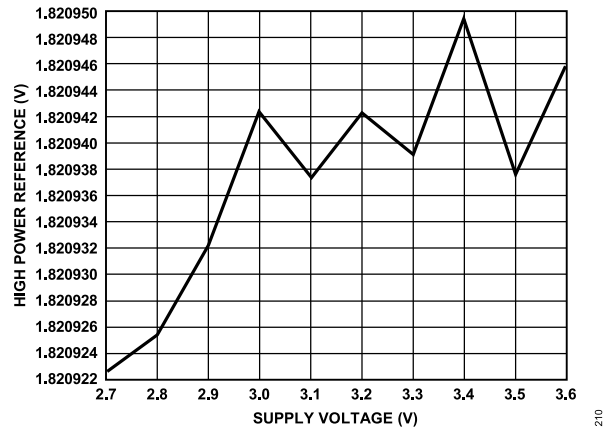


Figure 10. High Power Reference vs. Supply Voltage, ADC 1.82 V Voltage Reference DC PSRR

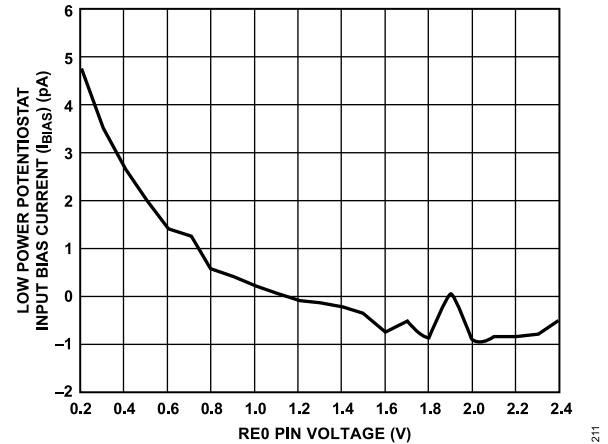


Figure 11. Low Power Potentiostat Input Bias Current ( $I_{BIAS}$ ) vs. RE0 Pin Voltage

TYPICAL PERFORMANCE CHARACTERISTICS

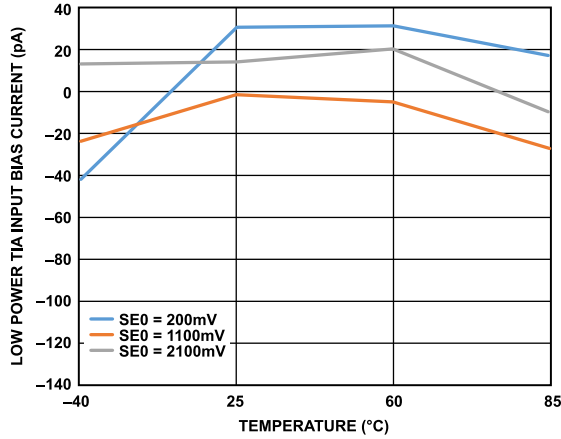


Figure 12. Low Power TIA Input Bias Current ( $I_{BIAS}$ ) vs. Temperature

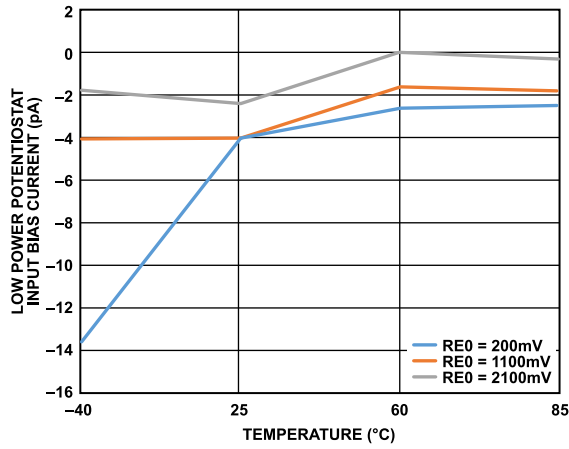


Figure 13. Low Power Potentiostat Input Bias Current vs. Temperature

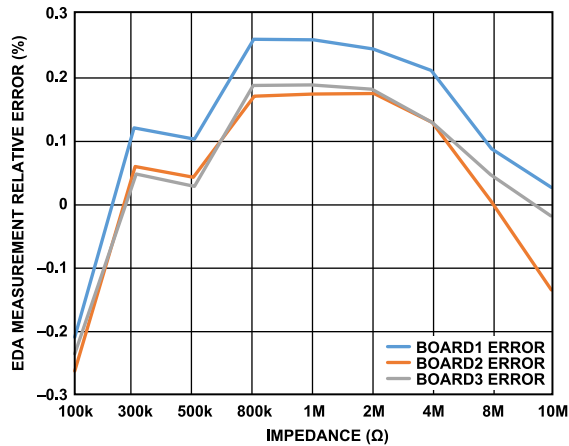


Figure 14. Electrodermal Activity (EDA) Measurement Relative Error vs. Impedance

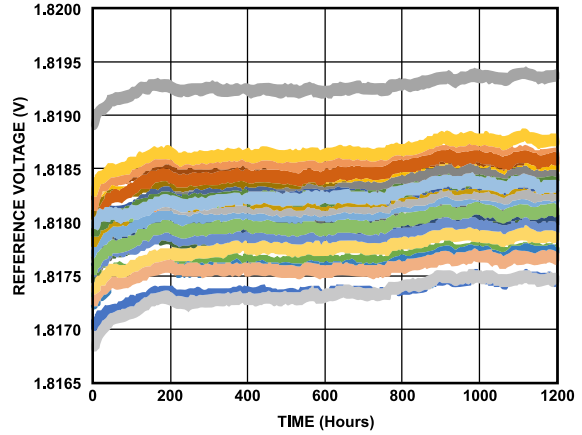


Figure 15.  $V_{REF}$  1.8 V Lifetime Drift

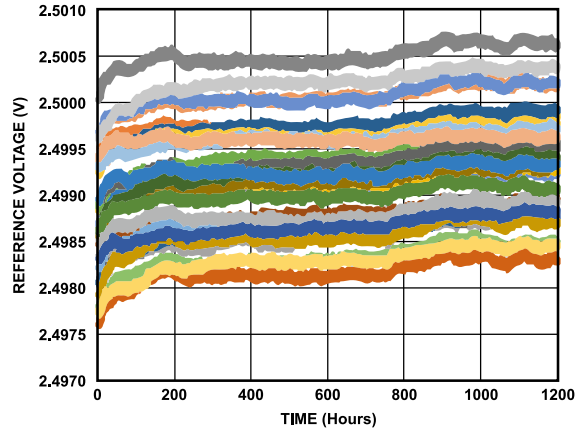


Figure 16.  $V_{REF}$  2.5 V Lifetime Drift

## TYPICAL PERFORMANCE CHARACTERISTICS

## REFERENCE TEST CIRCUIT

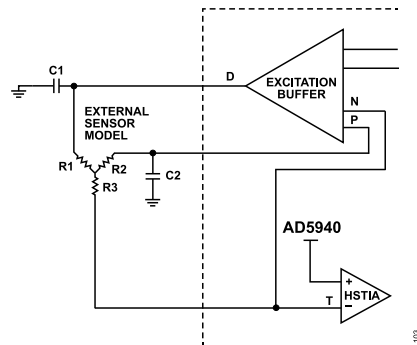


Figure 17. High Speed Loop Connected to Sensor (R1, R2, and R3), C1 and C2 Represent Capacitance to Ground

## THEORY OF OPERATION

The main blocks of the AD5940/AD5941 are as follows:

- ▶ Low power, dual-output, string DAC used to set the sensor bias voltage and low frequency excitation. Supports chronoamperometric and voltammetry electrochemical techniques.
- ▶ Low power potentiostat that applies the bias voltage to the sensor.
- ▶ Low power TIA that performs low bandwidth current measurements.
- ▶ High speed DAC and amplifier designed to generate excitation signals for impedance measurements up to 200 kHz.
- ▶ High speed TIA that supports wider signal bandwidth measurements.
- ▶ High performance ADC circuit (see the [High Performance ADC Circuit](#) section).
- ▶ Programmable switch matrix. The input switching of the AD5940/AD5941 allows full configurability in the connections of the external sensors (see the [Programmable Switch Matrix](#) section).
- ▶ Programmable sequencer (see the [Sequencer](#) section).
- ▶ SPI interface.
- ▶ Waveform generator designed to create sinusoid and trapezoid waveforms up to 200 kHz (see the [Waveform Generator](#) section).
- ▶ Interrupt sources that output to a GPIOx pin to alert the host controller that an interrupt event occurred (see the [Interrupts](#) section).
- ▶ Digital inputs/outputs (see the [Digital Inputs/Outputs](#) section).

## CONFIGURATION REGISTERS

**Table 8. Configuration Registers Summary**

Address	Name	Description	Reset	Access
0x00002000	AFECON	AFE configuration register	0x00080000	R/W
0x000022F0	PMBW	Power modes configuration register	0x00088800	R/W

### Configuration Register—AFECON

Address 0x00002000, Reset: 0x00080000, Name: AFECON

**Table 9. Bit Descriptions for AFECON Register**

Bits	Bit Name	Settings	Description	Reset	Access
[31:22]	Reserved		Reserved.	0x0	R
21	DACBUFEN		Enables the dc DAC buffer. This bit enables the buffer for the high impedance output of the dc DAC. 0 Disables the dc DAC buffer. 1 Enables the dc DAC buffer.	0x0	R/W
20	DACREFEN		High speed DAC reference enable. 0 Reference disable. Clear to 0 to disable the high speed DAC reference. 1 Reference enable. Set to 1 to enable the high speed DAC reference.	0x0	R/W
19	Reserved		Reserved. Always set this to 1.	0x1	R/W
[18:17]	Reserved		Reserved.	0x0	R
16	SINC2EN		ADC output 50 Hz/60 Hz notch filter enable. This bit enables the 50 Hz/60 Hz supply rejection filter. 0 Supply rejection filter disabled. Disables sinc2 (50 Hz/60 Hz digital filter). Disable this bit for impedance measurements. 1 Supply rejection filter enabled. Enables sinc2 (50 Hz/60 Hz digital filter).	0x0	R/W
15	DFTEN		DFT hardware accelerator enable. This bit enables the DFT hardware acceleration block. 0 DFT hardware accelerator disabled. 1 DFT hardware accelerator enabled.	0x0	R/W
14	WAVEGENEN		Waveform generator enable. This bit enables the waveform generator. 0 Waveform generator disabled. The waveform generator includes a sinusoid wave and a trapezoid wave. 1 Waveform generator enabled.	0x0	R/W

## THEORY OF OPERATION

Table 9. Bit Descriptions for AFECON Register (Continued)

Bits	Bit Name	Settings	Description	Reset	Access
13	TEMPCONVEN	0 1	ADC temperature sensor convert enable. This bit enables the temperature reading. If this bit is set to 1, a temperature reading is initiated. When the temperature conversion is complete, the result available in the TEMPSSENSDAT register. 0 Temperature reading disabled. 1 Temperature reading enabled.	0x0	R/W
12	TEMPSENSEN	0 1	ADC temperature sensor channel enable. This bit enables the temperature sensor. 0 Temperature sensor disabled. The temperature sensor is powered down. 1 Temperature sensor enabled. The temperature sensor is powered up. Temperature readings are not performed unless TEMPCONVEN = 1.	0x0	R/W
11	TIAEN	0 1	High speed TIA enable. This bit enables the high speed TIA. 0 High speed TIA disabled. 1 High speed TIA enabled.	0x0	R/W
10	INAMPEN	0 1	Excitation instrumentation amplifier enable. This bit enables the instrumentation amplifier. 0 Programmable instrumentation amplifier disabled. 1 Programmable instrumentation amplifier enabled.	0x0	R/W
9	EXBUFEN	0 1	Excitation buffer enable. This bit enables the excitation buffer to drive the resistance being measured. 0 Excitation buffer disabled. 1 Excitation buffer enabled.	0x0	R/W
8	ADCCONVEN	0 1	ADC conversion start enable. 0 ADC idle. The ADC is powered on, but is not converting. 1 ADC conversions enabled.	0x0	R/W
7	ADCEN	0 1	ADC power enable. This bit enables the ADC. 0 ADC disabled. The ADC is powered off. 1 ADC enabled. The ADC is powered on. The ADCCONVEN bit must be set to 1 to start conversions.	0x0	R/W
6	DACEN	0 1	High speed DAC enable. This bit enables the high speed DAC, the corresponding reconstruction filter, and the attenuator. This bit only enables the analog block and does not include the DAC waveform generator. 0 High speed DAC disabled. 1 High speed DAC enabled.	0x0	R/W
5	HSREFDIS	0 1	High speed reference disable. This bit is the power-down signal of the high power reference. Set this bit to 1 to power down the reference. 0 High power reference enabled. 1 High power reference disabled.	0x0	R/W
[4:0]	Reserved		Reserved.	0x0	R

## Power Mode Configuration Register—PMBW

Address 0x000022F0, Reset: 0x00088800, Name: PMBW

The power mode configuration register, PMBW, configures the high and low power system modes for the high speed DAC and ADC circuits.

Table 10. Bit Descriptions for PMBW Register

Bits	Bit Name	Settings	Description	Reset	Access
[31:4]	Reserved		Reserved.	0x8880	R

## THEORY OF OPERATION

Table 10. Bit Descriptions for PMBW Register (Continued)

Bits	Bit Name	Settings	Description	Reset	Access
[3:2]	SYSBW		System bandwidth configure. The reconstruction filter of the high speed DAC and the antialias filter bandwidth configuration of the ADC are configured by a single register. 00 No action for system configuration. The reconstruction filter and antialias filter are automatically configured according to the waveform generator frequency. Waveform generator frequency = 50 kHz, reconstruction filter and antialias filter cutoff = 5 kHz. Waveform generator frequency = 50 kHz to 100 kHz, reconstruction filter and antialias filter cutoff = 100 kHz. Waveform generator frequency = 100 kHz to 200 kHz, reconstruction filter and antialias filter cutoff = 250 kHz. 01 Sets cutoff frequency to 50 kHz, -3 dB bandwidth. 10 Sets cutoff frequency to 100 kHz, -3 dB bandwidth. 11 Sets cutoff frequency to 250 kHz, -3 dB bandwidth.	0x0	R/W
1	Reserved		Reserved.	0x0	R
0	SYSHS		Sets the high speed DAC and ADC in high power mode. 0 Low power mode. Clear this bit for impedance measurements of <80 kHz. 1 High speed mode. Set this bit for impedance measurements of >80 kHz.	0x0	R/W

## SILICON IDENTIFICATION

The AD5940/AD5941 contains a chip ID register and a hardware revision register.

These registers can be read by software to allow users to determine the revision of the silicon currently in use. ADIID is always

equal to 0x4144. The CHIPID register contains the device identifier (Bits[15:4] and silicon revision number (Bits[3:0]). The device identifier changes with silicon revision.

### IDENTIFICATION REGISTERS

**Table 11. Identification Registers Summary**

Address	Name	Description	Reset	Access
0x00000400	ADIID	Analog Devices Inc., identification register	0x4144	R
0x00000404	CHIPID	Chip identification register	0x5502	R

### Analog Devices, Inc., Identification Register—ADIID

Address 0x00000400, Reset: 0x4144, Name: ADIID

**Table 12. Bit Descriptions for ADIID Register**

Bits	Bit Name	Settings	Description	Reset	Access
[15:0]	ADIID		Analog Devices identifier. Always equal to 0x4144.	0x4144	R

### Chip Identification Register—CHIPID

Address 0x00000404, Reset: 0x5502, Name: CHIPID

**Table 13. Bit Descriptions for CHIPID Register**

Bits	Bit Name	Settings	Description	Reset	Access
[15:4]	Part ID		Device identifier	0x550	R
[3:0]	Revision		Silicon revision number	0x3	R

## SYSTEM INITIALIZATION

To ensure proper operation of the AD5940/AD5941 device, an initialization sequence must be implemented after each device reset. Table 14 shows the required registers that must be written to, as well as the data that must be written to the register. If this initialization sequence is not followed correctly, the device does not function properly.

**Table 14. AD5940/AD5941 Initialization**

Register Address	Data
0x0908	0x02C9
0x0C08	0x206C

**Table 14. AD5940/AD5941 Initialization (Continued)**

Register Address	Data
0x21F0	0x0010
0x0410	0x02C9
0x0A28	0x0009
0x238C	0x0104
0x0A04	0x4859
0x0A04	0xF27B
0x0A00	0x8009
0x22F0	0x0000

## LOW POWER DAC

The ultra low power DAC is a dual output string DAC that sets the bias voltage of the sensor. There are two output resolution formats: 12-bit resolution ( $V_{\text{BIAS0}}$ ) and 6-bit resolution ( $V_{\text{ZERO0}}$ ).

In normal operation, the 12-bit output sets the voltage on the reference electrode and counter electrode pins, RE0 and CE0, via the potentiostat circuit. This voltage can also be sent to the  $V_{\text{BIAS0}}$  pin by configuring the SW12 switch (see [Figure 22](#)). An external filtering capacitor can be connected to the  $V_{\text{BIAS0}}$  pin.

The 6-bit output sets the voltage to the positive low power TIA internal node that connects to the ADC mux, LPTIA\_P. The voltage on the sense electrode is equal to this pin. This voltage is referred to as  $V_{\text{ZERO0}}$  and can be connected to the  $V_{\text{ZERO0}}$  pin by configuring the SW13 switch (see [Figure 22](#)). In diagnostic mode, the  $V_{\text{ZERO0}}$  output can also be connected to the high speed TIA by setting Bit 5 in the LPDACCON0 register to 1.

The low power DAC reference source is a low power, 2.5 V reference.

The low power DACs are made up of two 6-bit string DACs. The main 6-bit string DAC provides the  $V_{\text{ZERO0}}$  DAC output, and is made up of 63 resistors. Each resistor is the same value.

The main 6-bit string with the 6-bit subDAC provides the  $V_{\text{BIAS0}}$  DAC output. In 12-bit mode, the MSBs select a resistor from the main string DAC. The top end of this resistor is selected as the top of the 6-bit subDAC, and the bottom end of the selected resistor is connected to the bottom of the 6-bit subDAC string, as shown in [Figure 18](#).

The resistor matching between the 12-bit and 6-bit DACs means  $64 \text{ LSB}_{12} (V_{\text{BIAS0}})$  is equal to one  $\text{LSB}_6 (V_{\text{ZERO0}})$ .

The output voltage range is not rail to rail. Rather, it ranges from 0.2 V to 2.4 V for the 12-bit output of the low power DAC. Therefore, the LSB value of the 12-bit output (12-BIT\_DAC\_LSB) is

$$12\text{-BIT\_DAC\_LSB} = \frac{2.2 \text{ V}}{2^{12} - 1} = 537.2 \text{ } \mu\text{V} \quad (3)$$

The 6-bit output range is from 0.2 V to 2.366 V. This range is not 0.2 V to 2.4 V because there is a voltage drop across R1 in the resistor string (see [Figure 18](#)). The LSB value of the 6-bit output (6-BIT\_DAC\_LSB) is

$$6\text{-BIT\_DAC\_LSB} = 12\text{-BIT\_DAC\_LSB} \times 64 = 34.38 \text{ mV} \quad (4)$$

To set the output voltage of the 12-bit DAC, write to LPDACDAT0, Bits[11:0]. To set the 6-bit DAC output voltage, write to LPDACDAT0, Bits[17:12].

If the system clock is 16 MHz, LPDACDAT0 takes 10 clock cycles to update. If system clock is 32 kHz, LPDACDAT0 takes one clock

cycle to update. Take these values into consideration when using the sequencer.

The following code demonstrates how to correctly set the LPDACDAT0 value:

```
SEQ_WR(REG_AFE_LPDACDAT0, 0x1234);
SEQ_WAIT(10); // Wait 10 clocks for LPDACDAT0
to update
SEQ_SLP();
```

Optionally, the waveform generator described in the [Waveform Generator](#) section can be used as the DAC codes source for the low power DAC. When using the waveform generator with the low power DAC, ensure that the settling time specification of the low power DAC is not violated. The system clock source must be the 32 kHz oscillator. This feature is provided for ultra low power, always on, low frequency measurements, such as skin impedance measurements where the excitation signal is approximately 100 Hz and system power consumption needs to be <100  $\mu\text{A}$ .

## LOW POWER DAC SWITCH OPTIONS

There are a number of switch options available that allow the user to configure the low power DAC for various modes of operation. These switches facilitate different use cases, such as electrochemical impedance spectroscopy. [Figure 22](#) shows the available switches, labeled SW0 to SW4. These switches are controlled either automatically via Bit 5 in the LPDACCON0 register, or individually via the LPDACSW0 register

When LPDACCON0, Bit 5, is cleared, the switches are configured for normal mode. The SW2 switch and the SW3 switch are closed and the SW0, SW1, and SW4 switches are open. When LPDACCON0, Bit 5, is set, the switches are configured for diagnostic mode. The SW0 switch and the SW4 switch are closed and the remaining switches are open. This feature is designed for electrochemical use cases, such as continuous glucose measurement where, in normal mode, the low power TIA measures the sense electrode. Then, in diagnostic mode, the high speed TIA measures the sense electrode. By switching the  $V_{\text{ZERO0}}$  voltage output from the low power TIA to the high speed TIA, the effective bias on the sensor,  $V_{\text{BIAS0}} - V_{\text{ZERO0}}$ , is unaffected. Using the high speed TIA facilitates high bandwidth measurements, such as impedance, ramp, and cyclic voltammetry.

Use the LPDACSW0 register to control the switches individually. LPDACSW0, Bit 5, must be set to 1. Then, each switch can be individually controlled via LPDACSW0, Bits[4:0].

LOW POWER DAC

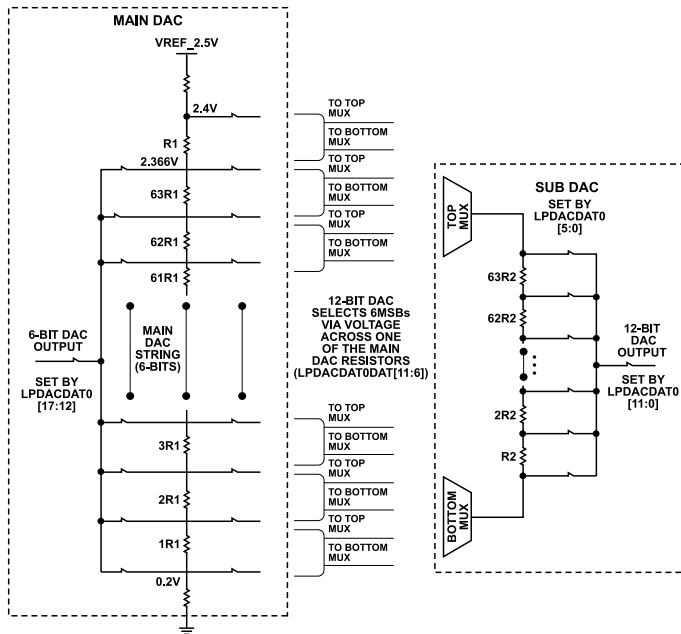


Figure 18. Low Power DAC Resistor String

RELATIONSHIP BETWEEN THE 12-BIT AND 6-BIT OUTPUTS

The 12-bit and 6-bit outputs are mostly independent. However, the selected 12-bit value does have a loading effect on the 6-bit output that must be compensated for in user code, particularly when the 12-bit output level is greater than the 6-bit output.

When the 12-bit output is less than the 6-bit output,

$$12\text{-Bit DAC Output Voltage} = 0.2\text{ V} + (\text{LPDACDAT0, Bits}[11:0] \times 12\text{-BIT\_LSB\_DAC}) \tag{5}$$

$$6\text{-Bit DAC Output Voltage} = 0.2\text{ V} + (\text{LPDACDAT0, Bits}[17:12] \times 6\text{-BIT\_LSB\_DAC}) \tag{6}$$

When the 12-bit output is  $\geq$  the 6-bit output,

$$12\text{-Bit DAC Output Voltage} = 0.2\text{ V} + (\text{LPDACDAT0, Bits}[11:0] \times 12\text{-BIT\_LSB\_DAC}) - 12\text{-BIT\_LSB\_DAC} \tag{7}$$

$$6\text{-Bit DAC Output Voltage} = 0.2\text{ V} + (\text{LPDACDAT0, Bits}[17:12] \times 6\text{-BIT\_LSB\_DAC}) \tag{8}$$

Therefore, in user code, it is recommended to add the following:

```

12BITCODE = LPDACDAT0 [11:0];
6BITCODE = LPDACDAT0 [17:12];
if (12BITCODE > (6BITCODE *64))
LPDACDAT [11:0] = (12BITCODE - 1);
    
```

This code ensures that the 12-bit output voltage is equal to the 6-bit output voltage when LPDACDAT0, Bits[11:0] = 64 × LPDACDAT0, Bits[17:12].

LOW POWER DAC USE CASES

Electrochemical Amperometric Measurement

In an electrochemical measurement, the 12-bit output sets the voltage on the reference electrode pin via the potentiostat circuit shown in Figure 19. The voltage on the CE0 pin and RE0 pin is referred to as  $V_{BIAS0}$ . The 6-bit output sets the bias voltage on the LPTIA\_P node; this output sets the voltage on the sense electrode pin, SE0. This voltage is referred to as  $V_{ZERO0}$ . The bias voltage on the sensor effectively becomes the difference between the 12-bit output and the 6-bit output.

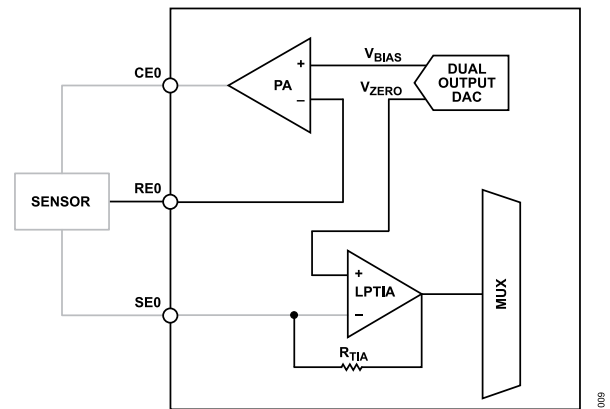


Figure 19. Electrochemical Standard Configuration

LOW POWER DAC

Electrochemical Impedance Spectroscopy

In many electrochemical applications, there is significant value in carrying out a diagnostic measurement. A typical diagnostic technique is to carry out an impedance measurement on the sensor. For some sensor types, the dc bias on the sensor must be maintained during the impedance measurement. The AD5940/AD5941 facilitates this dc bias. To perform this measurement, set LPDACCON0, Bit 5 = 1.  $V_{ZERO}$  voltage is set to the input of the high speed TIA and the high speed DAC generates an ac signal. The level of the ac signal is set via the  $V_{BIAS0}$  voltage output of the low power DAC, and the voltage on SE0 is maintained by  $V_{ZERO}$  voltage. The high speed DAC dc buffers must also be enabled by setting AFECON, Bit 21.

Low Power DAC in 4-Wire Isolated Impedance Measurements

For 4-wire isolated impedance measurements, such as body impedance measurements, a high frequency sinusoidal waveform is applied to the sensor via the high speed DAC. A common-mode voltage is set across the sensor using the low power DAC 6-bit output voltage,  $V_{ZERO}$ , and the low power TIA. This configuration sets the common-mode voltage between AIN2 and AIN3 (see Figure 20). To enable this common-mode voltage setup, SWMUX, Bit 3, must be set to 1. The  $V_{BIAS0}$  voltage output of the low power DAC also sets the common-mode voltage for the high speed DAC excitation buffer.

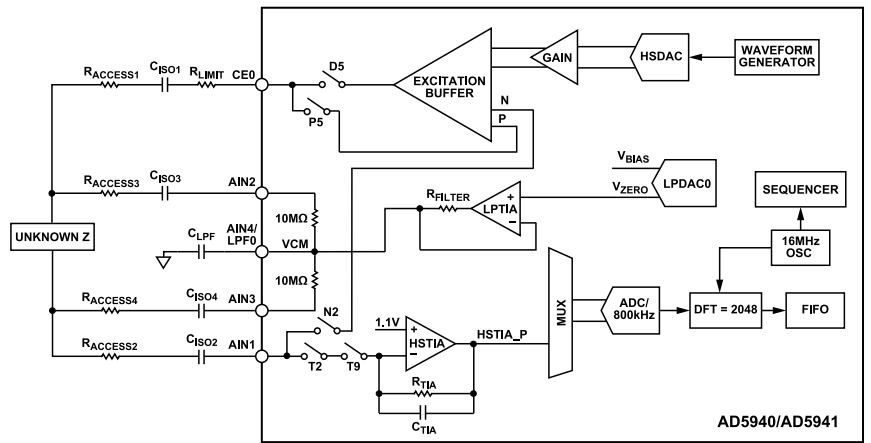


Figure 20. Low Power DACs Used in a 4-Wire Impedance Measurement (HSTIA\_P = Positive Output of High Speed TIA)

LOW POWER DAC CIRCUIT REGISTERS

Table 15. Low Power TIA and Low Power DAC Registers Summary

Address	Name	Description	Reset	Access
0x00002128	LPDACCON0	Low power DAC configuration register	0x00000002	R/W
0x00002124	LPDACSW0	Low power DAC switch control register	0x00000000	R/W
0x00002050	LPREFBUFCON	Low power reference configuration register	0x00000000	R/W
0x0000235C	SWMUX	Common-mode switch mux select register	0x00000000	R/W
0x00002120	LPDACDAT0	Low power DAC data output register	0x00000000	R/W

LPDACCON0 Register—LPDACCON0

Address 0x00002128, Reset: 0x00000002, Name: LPDACCON0

Table 16. Bit Descriptions for LPDACCON0 Register

Bits	Bit Name	Settings	Description	Reset	Access
[31:7]	Reserved		Reserved.	0x0	R
6	WAVETYPE	0 1	Low power DAC data source. This bit determines the DAC waveform type. 0 Direct from LPDACDAT0. 1 Waveform generator.	0x0	R/W

## LOW POWER DAC

Table 16. Bit Descriptions for LPDACCON0 Register (Continued)

Bits	Bit Name	Settings	Description	Reset	Access
5	DACMDE		Low power DAC switch settings. This bit is the control bit for the low power DAC output switches. 0 Low power DAC switches set for normal mode (default). Clear this bit to 0 for normal output switch operation. See the <a href="#">Low Power DAC</a> section for more information. 1 Low power DAC switches set for diagnostic mode. Set this bit to 1 for diagnostic mode switch settings. See the <a href="#">Low Power DAC</a> section for more information.	0x0	R/W
4	VZEROMUX		V <sub>ZERO0</sub> voltage mux select. This bit selects the DAC output that connects to the V <sub>ZERO0</sub> node. Ensure that the same value is written to the VBIASMUX bit. 0 V <sub>ZERO0</sub> , 6-bit (default). Clear this bit to 0 for the V <sub>ZERO0</sub> voltage output to be 6-bit. 1 V <sub>ZERO0</sub> , voltage 12-bit. Set this bit to 1 for the V <sub>ZERO0</sub> voltage output to be 12-bit.	0x0	R/W
3	VBIASMUX		V <sub>BIAS0</sub> voltage mux select. This bit selects the low power DAC output that connects to the V <sub>BIAS0</sub> node. Ensure that the same value is written to the VZEROMUX bit. 0 Output, 12-bit (default). The 12-bit DAC is connected to V <sub>BIAS0</sub> voltage. 1 Output, 6-bit. The 6-bit DAC is connected to V <sub>BIAS0</sub> voltage.	0x0	R/W
2	REFSEL		Low power DAC reference select. 0 Selects the low power 2.5 V reference as the low power DAC reference source. 1 Selects AVDD as the low power DAC reference source.	0x0	R/W
1	PWDEN		Low power DAC power-down. This bit powers down the control bit for the low power DAC. 0 Low Power DAC powered on. Clear this bit to 0 to power on the low power DAC. 1 Low Power DAC powered off (default). Powers down the low power DAC and opens all switches on the low power DAC output.	0x1	R/W
0	RSTEN		Enable writes to low power DAC. Enables writes to LPDACDAT0 register. 0 Disables low power DAC writes (default). If this bit is cleared to 0, LPDACDAT0 is always 0. Writes to LPDACDAT0 are disabled. 1 Enables low power DAC writes. Set this bit to 1 to enable writes to LPDACDAT0.	0x0	R/W

## Low Power DAC Switch Control Register—LPDACSW0

Address 0x00002124, Reset: 0x00000000, Name: LPDACSW0

Table 17. Bit Descriptions for LPDACSW0 Register

Bits	Bit Name	Settings	Description	Reset	Access
[31:6]	Reserved		Reserved.	0x0	R
5	LPMODEDIS		Switch control. This bit controls the switches connected to the output of the low power DAC. 0 Low power DAC switch controlled by LPDACCON0, Bit 5 (default). Clear this bit to 0 to control the switches connected to the output of the low power DAC via LPDACCON0, Bit 5. 1 Low power DAC switches override. Set this bit to 1 to overrides LPDACCON0, Bit 5. The switches connected to the Low Power DAC output are controlled via LPDACSW0, Bits[4:0].	0x0	R/W
4	SW4		Low power DAC SW4 switch control. 0 Disconnects the direct connection of the V <sub>BIAS0</sub> DAC output to the positive input of the potentiostat amplifier (default). 1 Connects the V <sub>BIAS0</sub> DAC voltage output directly to the positive input of the potentiostat amplifier.	0x0	R/W
3	SW3		Low power DAC SW3 switch control. 0 Disconnects the V <sub>BIAS0</sub> DAC voltage output from the low-pass filter/V <sub>BIAS0</sub> pin. 1 Connects the V <sub>BIAS0</sub> DAC voltage output to the low-pass filter/V <sub>BIAS0</sub> pin (default).	0x1	R/W
2	SW2		Low power DAC SW2 switch control. 0 Disconnects the direct connection of the V <sub>ZERO0</sub> DAC voltage output to the low power TIA positive input (default). 1 Connects the V <sub>ZERO0</sub> DAC voltage output directly to the low power TIA positive input.	0x1	R/W

## LOW POWER DAC

Table 17. Bit Descriptions for LPDACSW0 Register (Continued)

Bits	Bit Name	Settings	Description	Reset	Access
1	SW1		Low power DAC SW1 switch control.	0x0	R/W
		0	Disconnects the $V_{ZERO0}$ DAC voltage output from the low-pass filter/ $V_{ZERO0}$ pin.		
		1	Connects the $V_{ZERO0}$ DAC voltage output to the low-pass filter/ $V_{ZERO0}$ pin (default).		
0	SW0		Low power DAC SW0 switch control.	0x0	R/W
		0	Disconnects the $V_{ZERO0}$ DAC voltage output from the high speed TIA positive input (default).		
		1	Connects the $V_{ZERO0}$ DAC voltage output to the high speed TIA positive input.		

## Low Power DAC Data Output Register—LPDACDAT0

Address 0x00002120, Reset: 0x00000000, Name: LPDACDAT0

Table 18. Bit Descriptions for LPDACDAT0 Register

Bits	Bit Name	Settings	Description	Reset	Access
[31:18]	Reserved		Reserved.	0x0	R
[17:12]	DACIN6		Low power DAC 6-bit output data register (1 LSB = 34.375 mV). A value between 0 and 0x3F sets the 6-bit output voltage.	0x0	R/W
		0	Sets output voltage to 0.2 V.		
		111111	Sets output voltage to 2.366 V.		
[11:0]	DACIN12		Low power DAC 12-bit output data register (1 LSB = 537 $\mu$ V). A value between 0 and 0xFF sets the 12-bit output voltage.	0x0	R/W
		0	Sets output voltage to 0.2 V.		
		0xFF	Sets output voltage to 2.4 V.		

## Low Power Reference Control Register—LPREFBUFCON

Address 0x00002050, Reset: 0x00000000, Name: LPREFBUFCON

Table 19. Bit Descriptions for LPREFBUFCON Register

Bits	Bit Name	Settings	Description	Reset	Access
[31:2]	Reserved		Reserved.	0x0	R
1	LPBUF2P5DIS		Low power output band gap buffer. This bit is normally cleared to enable the low power reference buffer.	0x0	R/W
		0	Enables the low power 2.5 V buffer.		
		1	Powers down the low power 2.5 V buffer.		
0	LPREFDIS		Low power band gap power-down bit. This bit is normally cleared to enable the low power reference.	0x0	R/W
		0	Low power reference enabled.		
		1	Low power reference powered down.		

## Common-Mode Switch Mux Register—SWMUX

Address 0x0000235C, Reset: 0x00000000, Name: SWMUX

Table 20. Bit Descriptions for SWMUX Register

Bits	Bit Name	Settings	Description	Reset	Access
[31:4]	Reserved		Reserved.	0x0	R
3	CMMUX		Common-mode resistor select for AIN2 pin and AIN3 pin.	0x0	R/W
		0	Common-mode switch off.		

## LOW POWER DAC

Table 20. Bit Descriptions for SWMUX Register (Continued)

Bits	Bit Name	Settings	Description	Reset	Access
		1	Enables the common-mode switches with a 10 M $\Omega$ resistor to set up the common-mode voltage on the AIN2 and AIN3 pins. The voltage is driven by the low power TIA and the AIN4/LPF0 pin.		
[2:0]	Reserved		Reserved.	0x0	R/W

## LOW POWER POTENTIOSTAT

The AD5940/AD5941 has a low power potentiostat that sets and controls the bias voltage of an electrochemical sensor. Typically, the output of the potentiostat is connected to CE0. The noninverting input is connected to  $V_{\text{BIAS0}}$  voltage and the inverting input is connected to RE0 as shown in [Figure 19](#). For an electrochemical cell, the potentiostat maintains the bias voltage on the reference electrode (RE0) by sourcing or sinking current through the counter electrode (CE0).

The output of the potentiostat can be connected to various package pins through the switch matrix (see the [Programmable Switch Ma-](#)

[trix](#) section for details). There are a number of configurable switch options around the potentiostat to provide numerous configuration options (see [Figure 22](#)).

The potentiostat can also be used a standard buffer output to output  $V_{\text{BIAS0}}$  voltage onto CE0. To achieve this, the inverting input is connected to the output of the potentiostat by closing the SW10 switch, as shown in [Figure 22](#).

## LOW POWER TIA

The AD5940/AD5941 each has a low power TIA channel that amplifies small current inputs to voltages to be measured by the ADC. The load resistor and gain resistor are internal and programmable. Select the  $R_{TIA}$  value that maximizes the ADC input range of  $\pm 900$  mV when PGA gain is 1 or 1.5. Refer to the [Specifications](#) section for the maximum voltage for other PGA settings.

To calculate the required gain resistor, use the following equation:

$$I_{MAX} = \frac{0.9 \text{ V}}{R_{TIA}} \quad (9)$$

where:

$I_{MAX}$  is the expected full-scale input current.

$R_{TIA}$  is the required gain resistor.

There are a number of switches around the low power TIA circuitry. The LPTIASW0 register configures these switches. [Figure 22](#) shows the available switches. When the TIAGAIN bits (Bits[9:5]) in the LPTIACON0 register are set, these switches are closed automatically. When these switches are closed, there is a force/sense circuit with a low-pass filter resistor ( $R_{LPF}$ ) and a capacitor on the AIN4/LPF0 pin that acts as a resistor-capacitor (RC) delay circuit. The LPTIA0\_P\_LPF0 connects the output of the low power TIA low-pass filter to the ADC mux. Analog Devices recommends that the LPTIA0\_P\_LPF0 mux option be selected as the ADC input when using the low power TIA. It is recommended to connect a 100 nF capacitor between the RC0\_0 pin and the RC0\_1 pin to stabilize the low power TIA.

## LOW POWER TIA PROTECTION DIODES

Back to back protection diodes are connected in parallel with the  $R_{TIA}$  resistor. These diodes are connected or disconnected by closing or opening SW0, controlled by LPTIASW0, Bit 0. These diodes are intended for use when switching  $R_{TIA}$  gain settings to amplify small currents to prevent saturation of the TIA. These diodes have a leakage current specification dependent on the voltage across the diodes. If the differential voltage across the diodes is  $>200$  mV, leakage can be  $>1$  nA. If the voltage is  $>500$  mV, leakage can be  $>1$   $\mu$ A.

## Current-Limit Feature of the Low Power TIA and Potentiostat Amplifier

In addition to the protection diode, the low power TIA also has a built in current limiting feature. If the current sourced or sunk from

the low power TIA is greater than the overcurrent limit protection specified in [Table 1](#), the amplifiers clamp the current to this limit. If a sensor attempts to source or sink more than the overcurrent limit during startup, the amplifier clamps the output current. Do not use this feature more frequently or for longer than specified in [Table 1](#).

## Low Power TIA Force/Sense Feature

The LPTIACON0[9:5] bits select different gain resistor values for the low power TIA, labeled as  $R_{TIA}$  in [Figure 22](#). The force and sense connections shown on the feedback path of the low power TIA are used to avoid voltage ( $I \times R$ ) drops on the switches, which select different  $R_{TIA}$  settings for the internal  $R_{TIA}$ .

## USING AN EXTERNAL $R_{TIA}$

To use an external  $R_{TIA}$  resistor, take the following steps:

1. Connect an external  $R_{TIA}$  resistor across the RC0\_0 pin and the RC0\_1 pin.
2. Clear LPTIACON0, Bits[9:5] = 0 to disconnect the internal  $R_{TIA}$  resistor from the TIA output terminal.
3. Close the SW9 switch by setting LPTIASW0, Bit 9 = 1. When using the internal  $R_{TIA}$  resistor, open the SW9 switch.
4. Connect an external capacitor in parallel with an external  $R_{TIA}$  resistor to maintain loop stability. The recommended value of this external capacitor is 100 nF.

## RECOMMENDED SWITCH SETTINGS FOR VARIOUS OPERATING MODES

[Table 21](#) describes the recommended switch settings in the low power potentiostat loop for various measurement types. For all measurement types, setting the switch to 1 closes the switch and setting the switch to 0 opens the switch. LPTIASW0[13:0] controls SW13 to SW0, as shown in [Figure 22](#). [Figure 21](#) shows the relationship between the  $R_{LOAD}$  and  $R_{GAIN}$  settings for the LPTIA.  $R_{LOAD}$  is configured by setting LPTIACON0 [12:10].  $R_{GAIN}$  is configured by LPTIACON0[9:5]. When  $R_{LOAD}$  is large, it uses resistors from the  $R_{GAIN}$  bank, reducing the size of  $R_{GAIN}$ . See descriptions in the LPTIACON0 bit fields ([Table 22](#) and [Table 24](#)) for details.

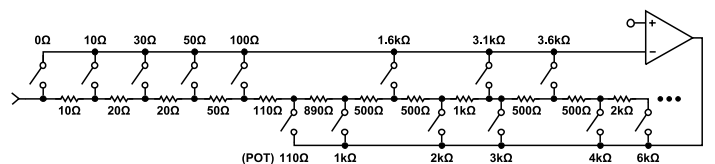


Figure 21. LPTIA  $R_{LOAD}$  and  $R_{GAIN}$  Configuration

## LOW POWER TIA

Table 21. Recommended Switch Settings in Low Power Potentiostat Loop

Measurement Name	LPDACCON0, Bit 5	LPDACSW0, Bits[5:0]	LPTIASW0, Bits[13:0]	Description
Amperometric Mode	0	0xXX <sup>1</sup>	0x302C or 0b11 0000 0010 1100	Normal dc current measurement. External capacitors to the V <sub>BIAS0</sub> and V <sub>ZERO0</sub> DACs are connected.
Amperometric Mode with Diode Protection	0	0xXX <sup>1</sup>	0x302D or 0b11 0000 0010 1101	Normal dc current measurement with the low power TIA back to back diode protection enabled. External capacitors to V <sub>BIAS0</sub> and V <sub>ZERO0</sub> are connected.
Amperometric Mode with Short Switch Enabled	0	0xXX <sup>1</sup>	0x302E or 0b11 0000 0010 1110	Normal dc current measurement with short switch protection enabled. SW1 is closed to connect the SE0 input to the output of the low power TIA. External capacitors to V <sub>BIAS0</sub> and V <sub>ZERO0</sub> are connected. This setting is useful if the external sensor must be charged after a power-up and many currents are flowing in and out of the SE0 pin.
Amperometric Mode for Zero Biased Sensor	0	0xXX <sup>1</sup>	0x306C or 0b11 0000 0110 1100	Amperometric mode with SW6 configured to set sensors on the RE0 and SE0 electrodes to the V <sub>BIAS0</sub> level. Potentiostat inverting and low power TIA noninverting inputs are shorted. This mode gives the best noise performance for zero bias voltage sensors.
Amperometric Mode for Two-Lead Sensor	0	0xXX <sup>1</sup>	0x342C or 0b11 0100 0010 1100	Amperometric mode with SW10 closed to short CE0 to RE0 internally.
Chronoamperometry (Low Power Pulse Test) Using Low Power TIA	1	0x32	0x0014 or 0b00 0000 0001 0100	V <sub>BIAS0</sub> output generates pulse to CE0 electrode. Capacitors on low power DACs are disconnected. Low power TIA measures SE0 current response.
Chronoamperometry (Full Power Pulse Test) Using High Speed TIA on SE0	1	0x31	0x0094 or 0b00 0000 1001 0100	V <sub>BIAS0</sub> output generates pulse to CE0 electrode. Capacitors on V <sub>BIAS0</sub> and V <sub>ZERO0</sub> are disconnected. High speed TIA measures SE0 current response.
Voltammetry (Full Power Pulse Test) Using High Speed TIA	1	0x31	0x0094 or 0b00 0000 1001 0100	V <sub>BIAS0</sub> output generates pulse to CE0 electrode. Capacitors on V <sub>BIAS0</sub> and V <sub>ZERO0</sub> are disconnected. High speed TIA measures SE0 or DE0 current response. High speed TIA resistors and switches are configured separately.
Potentiostat and Low Power TIA in Unity-Gain Mode (Test Mode)	0	0xXX <sup>1</sup>	0x04A4 or 0b00 0100 1010 0100	Potentiostat in unity-gain mode, output to CE0 pin. Low power TIA in unity-gain mode, output to RC0_1 pin. This mode is useful for checking the V <sub>BIAS0</sub> or V <sub>ZERO0</sub> DAC outputs.

<sup>1</sup> 0xXX = don't care.

LOW POWER TIA

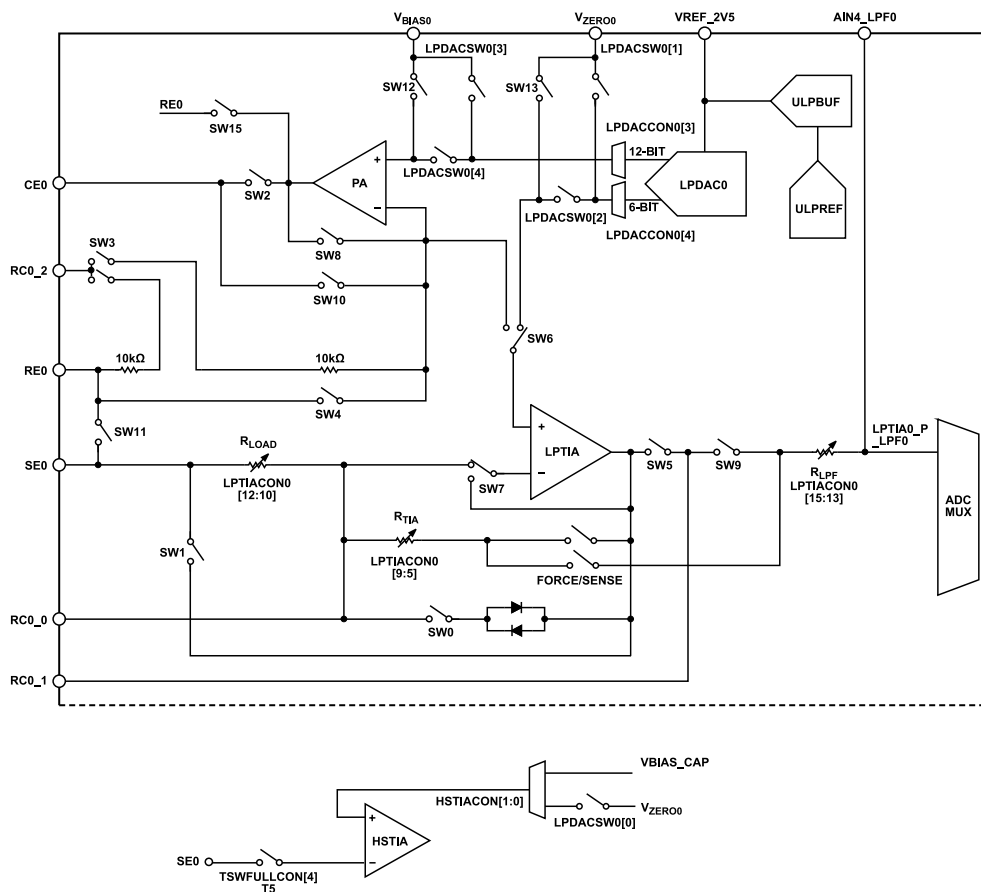


Figure 22. Low Bandwidth Loop Switches

LOW POWER TIA CIRCUITS REGISTERS

Table 22. Low Power TIA and DAC Registers Summary

Address	Name	Description	Reset	Access
0x000020E4	LPTIASW0	Low power TIA switch configuration	0x00000000	R/W
0x000020EC	LPTIACON0	Low power TIA control bits, Channel 0	0x00000003	R/W

Low Power TIA Switch Configuration Register—LPTIASW0

Address 0x000020E4, Reset: 0x00000000, Name: LPTIASW0

Table 23. Bit Descriptions for LPTIASW0 Register

Bits	Bit Name	Settings	Description	Reset	Access
[31:16]	Reserved		Reserved.	0x0	R
15	RECAL		SW15 switch control, active high. 0 Opens switch. 1 Closes switch.	0x0	R/W
14	Reserved		Reserved.	0x0	R/W
13	SW13		SW13 switch control, active high. 0 Opens switch. 1 Closes switch.	0x0	R/W

## LOW POWER TIA

Table 23. Bit Descriptions for LPTIASW0 Register (Continued)

Bits	Bit Name	Settings	Description	Reset	Access
12	SW12		SW12 switch control, active high. 0 Opens switch. 1 Closes switch.	0x0	R/W
11	SW11		SW11 switch control, active high. 0 Opens switch. 1 Closes switch.	0x0	R/W
10	SW10		SW10 switch control, active high. 0 Opens switch. 1 Closes switch.	0x0	R/W
9	SW9		SW9 switch control, active high. 0 Opens switch. 1 Closes switch.	0x0	R/W
8	SW8		SW8 switch control, active high. 0 Opens switch. 1 Closes switch.	0x0	R/W
7	SW7		SW7 switch control, active high. 0 Opens switch. 1 Closes switch.	0x0	R/W
6	SW6		SW6 switch control, active high. 0 Opens switch. 1 Closes switch.	0x0	R/W
5	SW5		SW5 switch control, active high. 0 Opens switch. 1 Closes switch.	0x0	R/W
4	SW4		SW4 switch control, active high. 0 Opens switch. 1 Closes switch.	0x0	R/W
3	SW3		SW3 switch control, active high. 0 Opens switch. 1 Closes switch.	0x0	R/W
2	SW2		SW2 switch control, active high. 0 Opens switch. 1 Closes switch.	0x0	R/W
1	SW1		SW1 switch control, active high. 0 Opens switch. 1 Closes switch.	0x0	R/W
0	SW0		SW0 switch control, active high. 0 Opens switch. 1 Closes switch.	0x0	R/W

## LOW POWER TIA

## Low Power TIA Control Bits, Channel 0 Register—LPTIACON0

Address 0x000020EC, Reset: 0x00000003, Name: LPTIACON0

Table 24. Bit Descriptions for LPTIACON0 Register

Bits	Bit Name	Settings	Description	Reset	Access
[31:16]	Reserved		Reserved.	0x0	R
[15:13]	TIARF		<p>These bits set the low-pass filter resistor (<math>R_{LPF}</math>) and configure the low power TIA output low-pass filter cutoff frequency.</p> <p>0 Disconnects the TIA output from the low-pass filter pin (LPF0), which is useful for diagnostics where a fast response is required from the ADC. This setting disconnects the low power TIA output from the low-pass filter capacitor.</p> <p>1 Bypass resistor; 0 <math>\Omega</math> option.</p> <p>10 20 k<math>\Omega</math>.</p> <p>11 100 k<math>\Omega</math>.</p> <p>100 200 k<math>\Omega</math>.</p> <p>101 400 k<math>\Omega</math>.</p> <p>110 600 k<math>\Omega</math>.</p> <p>111 1 M<math>\Omega</math>; recommended value for optimal dc current measurement performance. This setting is the lowest cutoff frequency setting for the low-pass filter.</p>	0x0	R/W
[12:10]	TIARL		<p>These bits set <math>R_{LOAD}</math>.</p> <p>0 0 <math>\Omega</math>.</p> <p>1 10 <math>\Omega</math>.</p> <p>10 30 <math>\Omega</math>.</p> <p>11 50 <math>\Omega</math>.</p> <p>100 100 <math>\Omega</math>.</p> <p>101 1.6 k<math>\Omega</math>; <math>R_{TIA}</math> must be <math>\geq 2</math> k<math>\Omega</math>.</p> <p>110 3.1 k<math>\Omega</math>; <math>R_{TIA}</math> must be <math>\geq 4</math> k<math>\Omega</math>.</p> <p>111 3.6 k<math>\Omega</math>; <math>R_{TIA}</math> must be <math>\geq 4</math> k<math>\Omega</math>.</p>	0x0	R/W
[9:5]	TIAGAIN		<p>These bits set the <math>R_{TIA}</math>.</p> <p>0 Disconnects the <math>R_{TIA}</math>.</p> <p>1 200 <math>\Omega</math>. The <math>R_{TIA}</math> is combination of <math>R_{LOAD}</math> and a fixed series 110 <math>\Omega</math>. Assumes <math>R_{LOAD} = 10</math> <math>\Omega</math>. Set by the TIARL bits. <math>R_{TIA} = 100</math> <math>\Omega - R_{LOAD} + 110</math> <math>\Omega</math>. The fixed overall <math>R_{TIA} = 200</math> <math>\Omega</math>.</p> <p>10 1 k<math>\Omega</math>. If <math>R_{LOAD} \leq 100</math> <math>\Omega</math>, <math>R_{TIA} = (100</math> <math>\Omega - R_{LOAD}) + 1</math> k<math>\Omega</math>. If <math>R_{LOAD} &gt; 100</math> <math>\Omega</math>, <math>R_{TIA} = 1</math> k<math>\Omega - (R_{LOAD} - 100</math> <math>\Omega)</math>.</p> <p>11 2 k<math>\Omega</math>. If <math>R_{LOAD} \leq 100</math> <math>\Omega</math>, <math>R_{TIA} = (100</math> <math>\Omega - R_{LOAD}) + 2</math> k<math>\Omega</math>. If <math>R_{LOAD} &gt; 100</math> <math>\Omega</math>, <math>R_{TIA} = 2</math> k<math>\Omega - (R_{LOAD} - 100</math> <math>\Omega)</math>.</p> <p>100 3 k<math>\Omega</math>. If <math>R_{LOAD} \leq 100</math> <math>\Omega</math>, <math>R_{TIA} = (100</math> <math>\Omega - R_{LOAD}) + 3</math> k<math>\Omega</math>. If <math>R_{LOAD} &gt; 100</math> <math>\Omega</math>, <math>R_{TIA} = 3</math> k<math>\Omega - (R_{LOAD} - 100</math> <math>\Omega)</math>.</p> <p>101 4 k<math>\Omega</math>. If <math>R_{LOAD} \leq 100</math> <math>\Omega</math>, <math>R_{TIA} = (100</math> <math>\Omega - R_{LOAD}) + 4</math> k<math>\Omega</math>. If <math>R_{LOAD} &gt; 100</math> <math>\Omega</math>, <math>R_{TIA} = 4</math> k<math>\Omega - (R_{LOAD} - 100</math> <math>\Omega)</math>.</p> <p>110 6 k<math>\Omega</math>. If <math>R_{LOAD} \leq 100</math> <math>\Omega</math>, <math>R_{TIA} = (100</math> <math>\Omega - R_{LOAD}) + 6</math> k<math>\Omega</math>. If <math>R_{LOAD} &gt; 100</math> <math>\Omega</math>, <math>R_{TIA} = 6</math> k<math>\Omega - (R_{LOAD} - 100</math> <math>\Omega)</math>.</p> <p>111 8 k<math>\Omega</math>. If <math>R_{LOAD} \leq 100</math> <math>\Omega</math>, <math>R_{TIA} = (100</math> <math>\Omega - R_{LOAD}) + 8</math> k<math>\Omega</math>. If <math>R_{LOAD} &gt; 100</math> <math>\Omega</math>, <math>R_{TIA} = 8</math> k<math>\Omega - (R_{LOAD} - 100</math> <math>\Omega)</math>.</p> <p>1000 10 k<math>\Omega</math>. If <math>R_{LOAD} \leq 100</math> <math>\Omega</math>, <math>R_{TIA} = (100</math> <math>\Omega - R_{LOAD}) + 10</math> k<math>\Omega</math>. If <math>R_{LOAD} &gt; 100</math> <math>\Omega</math>, <math>R_{TIA} = 10</math> k<math>\Omega - (R_{LOAD} - 100</math> <math>\Omega)</math>.</p> <p>1001 12 k<math>\Omega</math>. If <math>R_{LOAD} \leq 100</math> <math>\Omega</math>, <math>R_{TIA} = (100</math> <math>\Omega - R_{LOAD}) + 12</math> k<math>\Omega</math>. If <math>R_{LOAD} &gt; 100</math> <math>\Omega</math>, <math>R_{TIA} = 12</math> k<math>\Omega - (R_{LOAD} - 100</math> <math>\Omega)</math>.</p> <p>1010 16 k<math>\Omega</math>. If <math>R_{LOAD} \leq 100</math> <math>\Omega</math>, <math>R_{TIA} = (100</math> <math>\Omega - R_{LOAD}) + 16</math> k<math>\Omega</math>. If <math>R_{LOAD} &gt; 100</math> <math>\Omega</math>, <math>R_{TIA} = 16</math> k<math>\Omega - (R_{LOAD} - 100</math> <math>\Omega)</math>.</p> <p>1011 20 k<math>\Omega</math>. If <math>R_{LOAD} \leq 100</math> <math>\Omega</math>, <math>R_{TIA} = (100</math> <math>\Omega - R_{LOAD}) + 20</math> k<math>\Omega</math>. If <math>R_{LOAD} &gt; 100</math> <math>\Omega</math>, <math>R_{TIA} = 20</math> k<math>\Omega - (R_{LOAD} - 100</math> <math>\Omega)</math>.</p> <p>1100 24 k<math>\Omega</math>. If <math>R_{LOAD} \leq 100</math> <math>\Omega</math>, <math>R_{TIA} = (100</math> <math>\Omega - R_{LOAD}) + 24</math> k<math>\Omega</math>. If <math>R_{LOAD} &gt; 100</math> <math>\Omega</math>, <math>R_{TIA} = 24</math> k<math>\Omega - (R_{LOAD} - 100</math> <math>\Omega)</math>.</p> <p>1101 30 k<math>\Omega</math>. If <math>R_{LOAD} \leq 100</math> <math>\Omega</math>, <math>R_{TIA} = (100</math> <math>\Omega - R_{LOAD}) + 30</math> k<math>\Omega</math>. If <math>R_{LOAD} &gt; 100</math> <math>\Omega</math>, <math>R_{TIA} = 30</math> k<math>\Omega - (R_{LOAD} - 100</math> <math>\Omega)</math>.</p> <p>1110 32 k<math>\Omega</math>. If <math>R_{LOAD} \leq 100</math> <math>\Omega</math>, <math>R_{TIA} = (100</math> <math>\Omega - R_{LOAD}) + 32</math> k<math>\Omega</math>. If <math>R_{LOAD} &gt; 100</math> <math>\Omega</math>, <math>R_{TIA} = 32</math> k<math>\Omega - (R_{LOAD} - 100</math> <math>\Omega)</math>.</p> <p>1111 40 k<math>\Omega</math>. If <math>R_{LOAD} \leq 100</math> <math>\Omega</math>, <math>R_{TIA} = (100</math> <math>\Omega - R_{LOAD}) + 40</math> k<math>\Omega</math>. If <math>R_{LOAD} &gt; 100</math> <math>\Omega</math>, <math>R_{TIA} = 40</math> k<math>\Omega - (R_{LOAD} - 100</math> <math>\Omega)</math>.</p> <p>10000 48 k<math>\Omega</math>. If <math>R_{LOAD} \leq 100</math> <math>\Omega</math>, <math>R_{TIA} = (100</math> <math>\Omega - R_{LOAD}) + 48</math> k<math>\Omega</math>. If <math>R_{LOAD} &gt; 100</math> <math>\Omega</math>, <math>R_{TIA} = 48</math> k<math>\Omega - (R_{LOAD} - 100</math> <math>\Omega)</math>.</p> <p>10001 64 k<math>\Omega</math>. If <math>R_{LOAD} \leq 100</math> <math>\Omega</math>, <math>R_{TIA} = (100</math> <math>\Omega - R_{LOAD}) + 64</math> k<math>\Omega</math>. If <math>R_{LOAD} &gt; 100</math> <math>\Omega</math>, <math>R_{TIA} = 64</math> k<math>\Omega - (R_{LOAD} - 100</math> <math>\Omega)</math>.</p> <p>10010 85 k<math>\Omega</math>. If <math>R_{LOAD} \leq 100</math> <math>\Omega</math>, <math>R_{TIA} = (100</math> <math>\Omega - R_{LOAD}) + 85</math> k<math>\Omega</math>. If <math>R_{LOAD} &gt; 100</math> <math>\Omega</math>, <math>R_{TIA} = 85</math> k<math>\Omega - (R_{LOAD} - 100</math> <math>\Omega)</math>.</p> <p>10011 96 k<math>\Omega</math>. If <math>R_{LOAD} \leq 100</math> <math>\Omega</math>, <math>R_{TIA} = (100</math> <math>\Omega - R_{LOAD}) + 96</math> k<math>\Omega</math>. If <math>R_{LOAD} &gt; 100</math> <math>\Omega</math>, <math>R_{TIA} = 96</math> k<math>\Omega - (R_{LOAD} - 100</math> <math>\Omega)</math>.</p>	0x0	R/W

## LOW POWER TIA

Table 24. Bit Descriptions for LPTIACON0 Register (Continued)

Bits	Bit Name	Settings	Description	Reset	Access
		10100	100 k $\Omega$ . If $R_{LOAD} \leq 100 \Omega$ , $R_{TIA} = (100 \Omega - R_{LOAD}) + 100 \text{ k}\Omega$ . If $R_{LOAD} > 100 \Omega$ , $R_{TIA} = 100 \text{ k}\Omega - (R_{LOAD} - 100 \Omega)$ .		
		10101	120 k $\Omega$ . If $R_{LOAD} \leq 100 \Omega$ , $R_{TIA} = (100 \Omega - R_{LOAD}) + 120 \text{ k}\Omega$ . If $R_{LOAD} > 100 \Omega$ , $R_{TIA} = 120 \text{ k}\Omega - (R_{LOAD} - 100 \Omega)$ .		
		10110	128 k $\Omega$ . If $R_{LOAD} \leq 100 \Omega$ , $R_{TIA} = (100 \Omega - R_{LOAD}) + 128 \text{ k}\Omega$ . If $R_{LOAD} > 100 \Omega$ , $R_{TIA} = 128 \text{ k}\Omega - (R_{LOAD} - 100 \Omega)$ .		
		10111	160 k $\Omega$ . If $R_{LOAD} \leq 100 \Omega$ , $R_{TIA} = (100 \Omega - R_{LOAD}) + 160 \text{ k}\Omega$ . If $R_{LOAD} > 100 \Omega$ , $R_{TIA} = 160 \text{ k}\Omega - (R_{LOAD} - 100 \Omega)$ .		
		11000	196 k $\Omega$ . If $R_{LOAD} \leq 100 \Omega$ , $R_{TIA} = (100 \Omega - R_{LOAD}) + 196 \text{ k}\Omega$ . If $R_{LOAD} > 100 \Omega$ , $R_{TIA} = 196 \text{ k}\Omega - (R_{LOAD} - 100 \Omega)$ .		
		11001	256 k $\Omega$ . If $R_{LOAD} \leq 100 \Omega$ , $R_{TIA} = (100 \Omega - R_{LOAD}) + 256 \text{ k}\Omega$ . If $R_{LOAD} > 100 \Omega$ , $R_{TIA} = 256 \text{ k}\Omega - (R_{LOAD} - 100 \Omega)$ .		
		11010	512 k $\Omega$ . If $R_{LOAD} \leq 100 \Omega$ , $R_{TIA} = (100 \Omega - R_{LOAD}) + 512 \text{ k}\Omega$ . If $R_{LOAD} > 100 \Omega$ , $R_{TIA} = 512 \text{ k}\Omega - (R_{LOAD} - 100 \Omega)$ .		
[4:3]	IBOOST		Current boost control. 00 Normal mode. 01 Increase amplifier output stage current to quickly charge external capacitor load. This setting is intended for use with high current sensors. 10 Double TIA and potentiostat amplifier overall quiescent current and increase amplifier bandwidth. This setting is useful for diagnostic tests. 11 Double TIA and potentiostat amplifier overall quiescent current and increase output stage current. This setting increases amplifier bandwidth and output current capability.	0x0	R/W
2	HALFPWR		Half power mode select. This control bit reduces the active power consumption of the TIA and potentiostat amplifier for Sensor Channel 0. 0 Normal mode (default). 1 Reduces and TIA current by half.	0x0	R/W
1	PAPDEN		Potentiostat amplifier power-down. Low power potentiostat power-down control bit. 0 Power-up. 1 Power-down.	0x1	R/W
0	TIAPDEN		TIA power-down. Low power TIA power-down control bit. 0 Power-up. 1 Power-down.	0x1	R/W

## HIGH SPEED DAC CIRCUITS

The 12-bit high speed DAC generates an ac excitation signal when measuring the impedance of an external sensor. Control the DAC output signal directly by writing to a data register or by using the automated waveform generator block. The high speed DAC signal is fed to an excitation amplifier designed specifically to couple the ac signal on top of the normal dc bias voltage of a sensor.

### HIGH SPEED DAC OUTPUT SIGNAL GENERATION

There are two ways of setting the output voltage of the high speed DAC, as follows:

- ▶ A direct write to the DAC code register, HSDACDAT. This register is a 12-bit register where the most significant bit (MSB) is a sign bit. Writing 0x800 results in a 0 V output. Writing 0x200 results in negative full-scale, and writing 0xE00 results in positive full-scale. The following equation can be used for calculating the output voltage:

$$V_{OUT} = \left( \frac{HSDACDAT - 2^{11}}{2^{11}} \right) \times 404.4 \text{ mV} \quad (10)$$

$$\times INAMPGNMDE \times ATTENEN$$

where:

$V_{OUT}$  is the voltage at the output of the excitation amplifier.

HSDACDAT is the 12-bit HSDAC code register value.

INAMPGNMDE is the gain setting of the excitation amplifier. The setting can be 2 or 0.25.

ATTENEN is the attenuator setting. The setting can be 1 or 0.2.

- ▶ Use the automatic waveform generator. The waveform generator can be programmed to generate fixed frequency, fixed amplitude signals including, sine, trapezoid, and square wave signals. If the user selects the sine wave, options exist to adjust the offset and phase of the output signal. The following equation can be used to calculate the sine wave amplitude:

$$V_{OUT(p-p)} = \left( \frac{WGAMPLITUDE}{2^{11} - 1} \right) \times 808.8 \text{ mV} \quad (11)$$

$$\times INAMPGNMDE \times ATTENEN$$

where:

$V_{OUT(p-p)}$  is the peak-to-peak voltage of the ac signal.

WGAMPLITUDE is the 12-bit HSDAC code register value.

INAMPGNMDE is the gain setting of the excitation amplifier. The setting can be 2 or 0.25.

ATTENEN is the attenuator setting. The setting can be 1 or 0.2.

### POWER MODES OF THE HIGH SPEED DAC CORE

The reference source of the high speed DAC is an internal 1.82 V precision reference voltage (VREF\_1V82 pin). There are three basic modes of operation for the high speed DAC that trade off between power consumption vs. output speed: low power mode, high power mode, and hibernate mode. The high speed DAC can also be placed into hibernate mode when inactive.

### Low Power Mode

Low power mode is used when the high speed DAC output signal frequency is <80 kHz.

When configuring the high speed DAC for low power mode, take the following steps:

1. Clear the PMBW register (Bit 0 = 0).
2. In this mode, the system clock to the high speed DAC and the ADC is 16 MHz.
3. Ensure that CLKSEL, Bits[1:0] = 0 to select a 16 MHz, internal, high frequency oscillator clock source. Ensure the system clock divide ratio is 1 (CLKCON0, Bits[5:0] = 0 or 1).
4. If the internal high speed oscillator is selected as the system clock source, ensure that the 16 MHz option is selected. Set HSOSCCON, Bit 2 = 1.

### High Power Mode

High power mode increases the bandwidth supported by the high speed DAC amplifiers. Use high power mode when the high speed DAC frequency is greater than 80 kHz. To enter high power mode, a number of register writes are required.

To configure the high speed DAC for high power mode, take the following steps:

1. Set the PMBW register, Bit 0 = 1. Power consumption is increased, but the output signal bandwidth increases to a maximum of 200 kHz. In high power mode, the system clock to the DAC and the ADC is 32 MHz.
2. Ensure that CLKSEL Bits[1:0] select a 32 MHz clock source. For example, to select an internal high speed oscillator, set CLKSEL Bits[1:0] (SYCLKSEL) = 00. Ensure that the system clock divide ratio is 1 (CLKCON0 Bits[5:0] = 0 or 1).
3. If the internal high speed oscillator is selected as the system clock source, ensure that the 32 MHz option is selected. Clear HSOSCCON, Bit 2 = 0.

### Hibernate Mode

When the AD5940/AD5941 enter hibernate mode, the clocks to the high speed DAC circuits are clock gated to save power. When in active mode and the high speed DAC is not in use, disable the clocks to save power.

### HIGH SPEED DAC FILTER OPTIONS

The output stage of the high speed DAC features a configurable reconstruction filter. The configuration of the reconstruction filter is dependent on the output signal frequency of the DAC.

Bits[3:2] in the PMBW register configure the 3 dB cutoff frequency of the reconstruction filter. Ensure that the cutoff frequency is higher than the required DAC output frequency.

## HIGH SPEED DAC CIRCUITS

- ▶ PMBW Bits[3:2] = 01 for optimal performance if the DAC update frequency is  $\leq 50$  kHz.
- ▶ PMBW Bits[3:2] = 10 for optimal performance if the DAC update rate is  $\leq 100$  kHz.
- ▶ PMBW Bits[3:2] = 11 for optimal performance if the DAC update rate is up to 250 kHz.

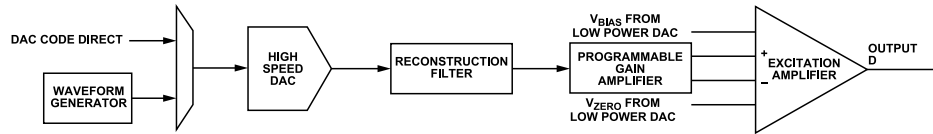


Figure 23. High Speed DAC Block

## HIGH SPEED DAC CIRCUITS

## HIGH SPEED DAC OUTPUT ATTENUATION OPTIONS

Scaling options to modify the output signal amplitude to the sensor are present for the high speed DAC output. The output of the 12-bit DAC string is  $\pm 300$  mV before any attenuation or gain. At the DAC output, there is a HSDAC gain stage of 2 or 0.25. At the PGA stage, there are gain options of 1 or 0.2. Table 29 describes the available gain options and the corresponding output voltage ranges.

## HIGH SPEED DAC EXCITATION AMPLIFIER

Figure 24 illustrates the operation of the excitation amplifier and its connection to the switch matrix. There are four inputs to the excitation amplifier: DACP, DACN, positive (P), and negative (N). The high speed DAC is a differential output DAC where the positive and negative inputs feed directly to the excitation amplifier.

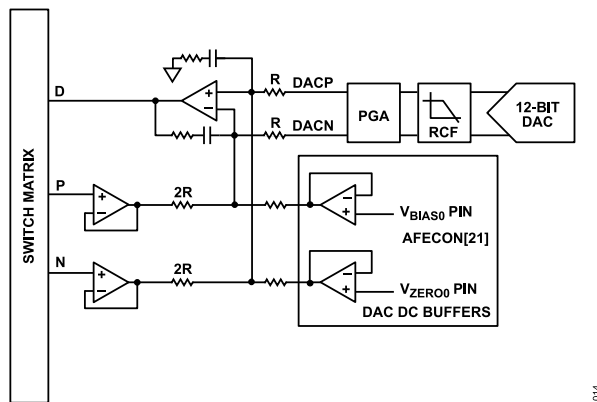


Figure 24. High Speed DAC Excitation Amplifier

The voltage difference between these two outputs sets the peak-to-peak voltage on the output waveform. The P and N inputs maintain the stability of the excitation amplifier by providing a feedback path from the sensor, and set the common-mode for the high speed DAC output. Under normal circumstances, the common mode is set by the  $V_{ZERO0}$  output connected to the N input. There is also an option to apply a dc bias voltage to the sensor and couple an ac signal onto this bias, as shown in Figure 25.

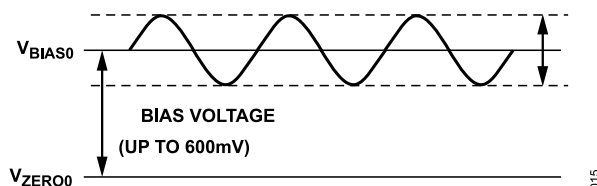


Figure 25. Sensor Excitation Signal

An option is available if the sensor requires a bias voltage between the counter and sense electrode.  $V_{BIAS0}$  sets the voltage on the counter electrode (the common-mode voltage of the high speed DAC) and  $V_{ZERO0}$  sets the voltage on the sense electrode.  $V_{ZERO0}$  must be connected to the positive terminal on the high speed TIA (HSTIACON, Bits[1:0] = 01). The dc buffers of the DAC must also

be enabled by setting AFECON, Bit 21. With this configuration, a waveform can be achieved, as shown in Figure 25. The bias across the sensor is effectively the difference between  $V_{BIAS0}$  and  $V_{ZERO0}$ .

Note that the high speed DAC signal chain must never be used in conjunction with the low power TIA. The high speed DAC can become unstable, leading to incorrect measurements.

## COUPLING AN AC SIGNAL FROM THE HIGH SPEED DAC TO THE DC LEVEL SET BY THE LOW POWER DAC

The AD5940/AD5941 contain a low power potentiostat channel to configure an electrochemical sensor. In normal operation, the bias voltage of the sensor between the RE0 and SE0 electrodes is set by the low power DAC outputs,  $V_{BIAS0}$  and  $V_{ZERO0}$ , where  $V_{BIAS0}$  sets the bias to the potentiostat and the voltage on the CE0 pin.  $V_{ZERO0}$  sets the bias voltage on the low power TIA and the SE0 pin. The high speed DAC circuit is not used. However, for ac impedance measurements, the output of the excitation amplifier must be connected to the CE0 pin. The potentiostat must be disconnected so that the entire signal comes from the excitation amplifier output. The high speed TIA is connected to the SE0 pin and the low power TIA is disconnected. The sensor bias must then be set by the high speed TIA and the excitation amplifier.

To set the sensor bias, take the following steps:

1. The  $V_{ZERO0}$  output of the low power DAC must be connected to the noninverting input of the high speed TIA (HSTIACON, Bits[1:0] = 01), which sets the voltage on the SE0 pin, or whichever pin is connected to the inverting input of the high speed TIA via the switch matrix.
2. The DAC dc buffers must be enabled (AFECON, Bit 21 = 1). Figure 24 shows the connection of the dc buffers to the excitation amplifier. These buffers enable the low power DAC outputs to drive the required bias voltage to the excitation amplifier and the high speed TIA.
3. The dc bias is the difference between  $V_{BIAS0}$  and  $V_{ZERO0}$ .

## AVOIDING INCOHERENCY ERRORS BETWEEN EXCITATION AND MEASUREMENT FREQUENCIES DURING IMPEDANCE MEASUREMENTS

The following settings are recommended to avoid incoherency errors between excitation and measurement frequencies during impedance measurements:

- The Hanning window is always on (DFTCON Bit 0 = 1).
- In low power mode, the high speed DAC update rate is  $16 \text{ MHz} \div 7$  (HSDACCON Bits[8:1] = 0x1B). In high power mode, the high speed DAC update rate is  $32 \text{ MHz} \div 7$  (HSDACCON Bits[8:1] = 0x7).
- In low power mode, the ADC sampling rate is 800 kSPS (high frequency oscillator = 16 MHz). In high power mode, the ADC sampling rate is 1.6 MSPS (high frequency oscillator = 32 MHz).

**HIGH SPEED DAC CIRCUITS**

Note that disabling the Hanning window may result in degraded performance.

**HIGH SPEED DAC CALIBRATION OPTIONS**

The high speed DAC is not calibrated during production testing by Analog Devices. This section describes the steps to calibrate the high speed DAC for all gain settings and in both high power and low power modes.

Calibrate the high speed DAC when the DAC is needed to generate an excitation signal to a sensor. If an offset error exists on the excitation signal, and a current or voltage output requires measurement, the excitation signal can exceed the headroom of the selected TIA, ADC input buffer, or PGA setting.

Figure 27 shows the circuit diagram for high speed DAC calibration. A precision external resistor,  $R_{CAL}$ , is required between the RCAL0 pin and the RCAL1 pin. To calibrate the offset, the differential voltage measured across the  $R_{CAL}$  resistor must be 0 V.

Calibrate the high speed DAC with the required bit settings (HSDACCON, Bit 12 and Bit 0). For example, if the DAC is calibrated with HSDACCON, Bit 12 = 0 and HSDACCON, Bit 0 = 0, and the user changes HSDACCON, Bit 12 to 1, an offset error is introduced. Either the DACOFFSET register or DACOFFSETHS register must be recalibrated for the new output range.

The gain calibration is optional and adjusts the peak-to-peak voltage swing. Alternatively, adjust the voltage swing by changing the maximum and/or minimum DAC code.

The high speed DAC transfer function is shown in Figure 26. Figure 27 shows how the common-mode voltage is set by the noninverting input of the high speed TIA. This voltage must be set by the low power DAC  $V_{ZERO0}$  output or by the internal 1.11 V ADC  $V_{BIAS0}$  voltage.

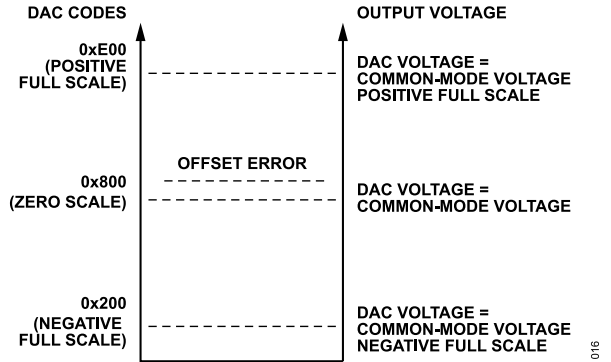


Figure 26. High Speed DAC Transfer Function

The AD5940/AD5941 software development kit includes sample functions that demonstrate how to use the ADC to measure the differential voltage across the  $R_{CAL}$  resistor and how to adjust the appropriate calibration register until the differential voltage is ~0 V. The AD5940/AD5941 software development kit is available for download from the AD5940/AD5941 product page.

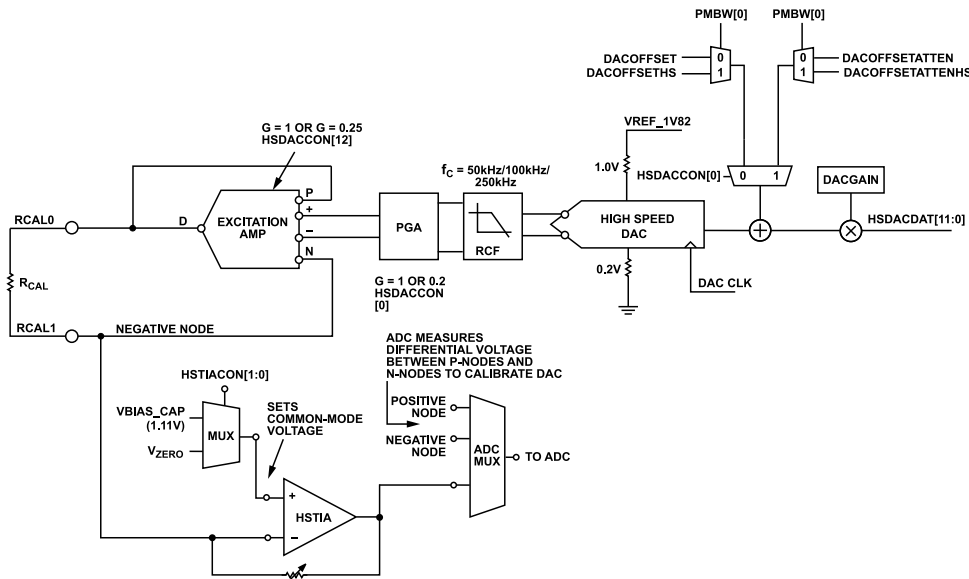


Figure 27. High Speed DAC Calibration

## HIGH SPEED DAC CIRCUITS

## HIGH SPEED DAC CIRCUIT REGISTERS

Table 25. High Speed DAC Control Registers Summary

Address	Name	Description	Reset	Access
0x00002010	HSDACCON	High speed DAC configuration	0x0000001E	R/W
0x00002048	HSDACDAT	High speed DAC code register	0x00000800	R/W

## High Speed DAC Configuration Register—HSDACCON

Address 0x00002010, Reset: 0x0000001E, Name: HSDACCON

Table 26. Bit Descriptions for HSDACCON Register

Bits	Bit Name	Settings	Description	Reset	Access
[31:13]	Reserved		Reserved.	0x0	R
12	INAMPGNMDE		Excitation amplifier gain control. This bit selects the gain of the excitation amplifier. 0 Gain = 2. 1 Gain = 0.25.	0x0	R/W
[11:9]	Reserved		Reserved.	0x0	R/W
[8:1]	Rate		DAC update rate. DAC update rate = ACLK/HSDACCON, Bits[8:1]. ACLK can be a high speed oscillator at 16 MHz or 32 MHz, or a low power oscillator at 32 kHz.	0xF	R/W
0	ATTENEN		PGA stage gain attenuation. Enable the PGA attenuator at the output of the DAC. 0 DAC attenuator disabled. Gain of 1 mode. 1 DAC attenuator enabled. Gain of 0.2 mode.	0x0	R/W

## High Speed DAC Code Register—HSDACDAT

Address 0x00002048, Reset: 0x00000800, Name: HSDACDAT

Table 27. Bit Descriptions for HSDACDAT Register

Bits	Bit Name	Settings	Description	Reset	Access
[31:12]	Reserved		Reserved.	0x0	R
[11:0]	DACDAT		DAC code, written directly to the DAC. The minimum code is 0x200 and the maximum code is 0xE00. Midscale (0x800) corresponds to an output voltage of 0 V.	0x800	R/W

Table 28. High Speed DAC Calibration Registers Summary

Address	Name	Description	Reset	Access
0x00002230	CALDATLOCK	Calibration data lock register	0xDE87A5A0	R/W
0x00002260	DACGAIN	DAC gain register	0x00000800	R/W
0x00002264	DACOFFSETATTEN	DAC offset with attenuator enabled (low power mode) register	0x00000000	R/W
0x00002268	DACOFFSET	DAC offset with attenuator disabled (low power mode) register	0x00000000	R/W
0x000022B8	DACOFFSETATTENHS	DAC offset with attenuator enabled (high speed mode) register	0x00000000	R/W
0x000022BC	DACOFFSETHS	DAC offset with attenuator disabled (high speed mode) register	0x00000000	R/W

Table 29. High Speed DAC Calibration Register Assignment

Relevant Calibration Registers				
Low Power Mode	High Speed Mode	Low Power Mode and High Speed Mode	HSDACCON Register Bit Settings	Typical Output Range (mV), Code 0x200 to Code 0xE00
DACOFFSET	DACOFFSETHS	DACGAIN	Bit 12 = 0 and Bit 0 = 0	±607
DACOFFSET	DACOFFSETHS	DACGAIN	Bit 12 = 1 and Bit 0 = 0	±75
DACOFFSETATTEN	DACOFFSETATTENHS	DACGAIN	Bit 12 = 1 and Bit 0 = 1	±15.14
DACOFFSETATTEN	DACOFFSETATTENHS	DACGAIN	Bit 12 = 0 and Bit 0 = 1	±121.2

## HIGH SPEED DAC CIRCUITS

**Calibration Data Lock Register—CALDATLOCK**

Address 0x00002230, Reset: 0xDE87A5A0, Name: CALDATLOCK

Table 30. Bit Descriptions for CALDATLOCK Register

Bits	Bit Name	Settings	Description	Reset	Access
[31:0]	Key	0xDE87A5AF	Password for the calibration data registers. This password prevents the overwriting of data after the calibration phase. Write this value to unlock the calibration registers.	0xDE87A5A0	R/W

**DAC Gain Register—DACGAIN**

Address 0x00002260, Reset: 0x00000800, Name: DACGAIN

Protected by CALDATLOCK. Valid for all settings of HSDACCON, Bit 12 and HSDACCON, Bit 0.

Table 31. Bit Descriptions for DACGAIN

Bits	Bit Name	Settings	Description	Reset	Access
[31:12]	Reserved		Reserved.	0x0	R
[11:0]	Value	0x000 0x800 0xFFF	High speed DAC gain correction factor. Unsigned number. Maximum negative gain adjustment occurs. No gain adjustment. Maximum positive gain adjustment occurs.	0x800	R/W

**DAC Offset with Attenuator Enabled (Low Power Mode) Register—DACOFFSETATTEN**

Address 0x00002264, Reset: 0x00000000, Name: DACOFFSETATTEN

The LSB adjustment is typically 4.9  $\mu$ V for HSDACCON, Bit 12 = 1 and HSDACCON, Bit 0 = 1. The LSB adjustment is typically 24.7  $\mu$ V for HSDACCON, Bit 12 = 1 and HSDACCON, Bit 0 = 0.

Table 32. Bit Descriptions for DACOFFSETATTEN

Bits	Bit Name	Settings	Description	Reset	Access
[31:12]	Reserved		Reserved.	0x0	R
[11:0]	Value	0x7FF 0x001 0x000 0xFFF 0x800	DAC offset correction factor. This value is a signed number represented in twos complement format with 0.5 LSB precision. Used when the attenuator is enabled. $2^{10} - 0.5$ . Maximum positive adjustment that results in a positive full scale/2 - 0.5 LSB adjustment. 0.5. Results in a 0.5 LSB adjustment. 0. No offset adjustment. -0.5. Results in a -0.5 LSB adjustment. $-2^{10}$ . Maximum negative adjustment that results in negative full scale/2 adjustment.	0x0	R/W

**DAC Offset with Attenuator Disabled (Low Power Mode Register)—DACOFFSET**

Address 0x00002268, Reset: 0x00000000, Name: DACOFFSET

The LSB adjustment is typically 197.7  $\mu$ V for HSDACCON, Bit 12 = 0 and HSDACCON, Bit 0 = 0. The LSB adjustment is typically 39.5  $\mu$ V for HSDACCON, Bit 12 = 0 and HSDACCON, Bit 0 = 1.

Table 33. Bit Descriptions for DACOFFSET Register

Bits	Bit Name	Settings	Description	Reset	Access
[31:12]	Reserved		Reserved.	0x0	R

## HIGH SPEED DAC CIRCUITS

Table 33. Bit Descriptions for DACOFFSET Register (Continued)

Bits	Bit Name	Settings	Description	Reset	Access
[11:0]	Value		DAC offset correction factor. This value is a signed number represented in twos complement format with 0.5 LSB precision. Used when the attenuator is disabled.	0x0	R/W
		0x7FF	$2^{10} - 0.5$ . Maximum positive adjustment that results in a positive full scale/2 - 0.5 LSB adjustment.		
		0x001	0.5. Results in a 0.5 LSB adjustment.		
		0x000	0. No offset adjustment.		
		0xFFFF	-0.5. Results in a -0.5 LSB adjustment.		
		0x800	$-2^{10}$ . Maximum negative adjustment that results in negative full scale/2 adjustment.		

## DAC Offset with Attenuator Enabled (High Speed Mode Register)—DACOFFSETATTENHS

Address 0x000022B8, Reset: 0x00000000, Name: DACOFFSETATTENHS

Protected by CALDATLOCK. The LSB adjustment is typically 4.9  $\mu$ V for HSDACCON, Bit 12 = 1 and HSDACCON, Bit 0 = 1. The LSB adjustment is typically 24.7  $\mu$ V for HSDACCON, Bit 12 = 1 and HSDACCON, Bit 0 = 0.

Table 34. Bit Descriptions for DACOFFSETATTENHS Register

Bits	Bit Name	Settings	Description	Reset	Access
[31:12]	Reserved		Reserved.	0x0	R
[11:0]	Value		DAC offset correction factor. This value is a signed number represented in twos complement format with 0.5 LSB precision. Used when the attenuator is enabled.	0x0	R/W
		0x7FF	$2^{10} - 0.5$ . Maximum positive adjustment that results in a positive full scale/2 - 0.5 LSB adjustment.		
		0x001	0.5. Results in a 0.5 LSB adjustment.		
		0x000	0. No offset adjustment.		
		0xFFFF	-0.5. Results in a -0.5 LSB adjustment.		
		0x800	$-2^{10}$ . Maximum negative adjustment that results in negative full scale/2 adjustment.		

## DAC Offset with Attenuator Disabled (High Speed Mode Register)—DACOFFSETHS

Address 0x000022BC, Reset: 0x00000000, Name: DACOFFSETHS

Protected by CALDATLOCK. The LSB adjustment is typically 197.7  $\mu$ V for HSDACCON, Bit 12 = 0 and HSDACCON, Bit 0 = 0. The LSB adjustment is typically 39.5  $\mu$ V for HSDACCON, Bit 12 = 0 and HSDACCON, Bit 0 = 1.

Table 35. Bit Descriptions for DACOFFSETHS

Bits	Bit Name	Settings	Description	Reset	Access
[31:12]	Reserved		Reserved.	0x0	R
[11:0]	Value		DAC offset correction factor. This value is a signed number represented in twos complement format with 0.5 LSB precision. Used when the attenuator is disabled.	0x0	R/W
		0x7FF	$2^{10} - 0.5$ . Maximum positive adjustment that results in a positive full scale/2 - 0.5 LSB adjustment.		
		0x001	0.5. Results in a 0.5 LSB adjustment.		
		0x000	0. No offset adjustment.		
		0xFFFF	-0.5. Results in a -0.5 LSB adjustment.		
		0x800	$-2^{10}$ . Maximum negative adjustment that results in negative full scale/2 adjustment.		

**HIGH SPEED TIA CIRCUITS**

The high speed TIA measures wide bandwidth input signals up to 200 kHz.

The output of the high speed TIA is connected to the main ADC mux, where this output can be programmed as the ADC input channel.

This block is designed for impedance measurements in conjunction with the high speed DAC and excitation amplifier.

**HIGH SPEED TIA CONFIGURATION**

The high speed TIA is disabled by default and is turned on by setting AFECON [11] = 1. The high speed TIA has programmable flexibility built into the input signal selection, gain resistor selection, input load resistor selection, and common-mode voltage source.

**Input Signal Selection**

The input signal options are as follows:

- ▶ The SE0 input pin.
- ▶ The AIN0, AIN1, AIN2, and AIN3/BUF\_VREF1V8 input pins.
- ▶ The DE0 input pin, which has its own  $R_{LOAD}$ / $R_{TIA}$  options and is user programmable.

**Gain Resistor Selection**

The gain resistor ( $R_{TIA}$ ) options are 50  $\Omega$  to 160 k $\Omega$  for the DE0 input, and 200  $\Omega$  to 160 k $\Omega$  for all other input pins.

**Load Resistor Selection**

The load resistor ( $R_{LOAD}$ ) options are as follows:

- ▶  $R_{LOAD02}$  and  $R_{LOAD04}$  are fixed 100  $\Omega$  for SE0 and AFE3.
- ▶ For the DE0 pin,  $R_{LOAD}$  is programmable. The user can select values from 0  $\Omega$ , 10  $\Omega$ , 30  $\Omega$ , 50  $\Omega$ , and 100  $\Omega$ .

**Common-Mode Voltage Selection**

The high speed TIA common-mode voltage setting, on the positive input to the high speed TIA amplifier, is configurable. The configuration options are as follows:

- ▶ Internal 1.11 V reference source, which is the same as the VBIAS\_CAP pin voltage.
- ▶ Low power DAC output ( $V_{ZER00}$ ).

Figure 28 shows the high speed TIA connections to the switch matrix and external pins. Note the extra load and gain resistors,  $R_{LOAD\_DE0}$  and  $R_{TIA\_DE0}$ , respectively, available on the DE0 pin.

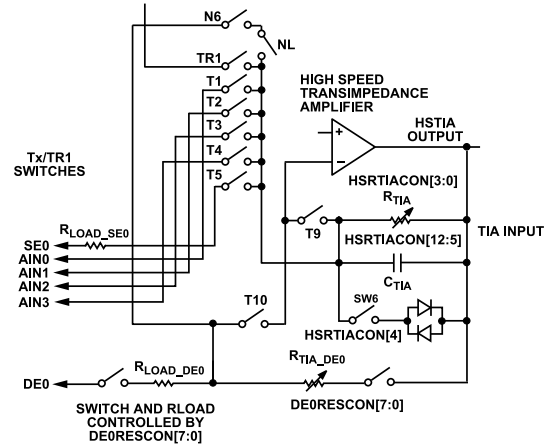


Figure 28. High Speed TIA Switches

**External  $R_{TIA}$  Selection**

The high speed TIA has the option of selecting an external gain resistor instead of the internal  $R_{TIA}$  gain options. To perform this selection, connect one end of the resistor to the DE0 pin and connect the other end to AIN0, AIN1, AIN2, or AIN3/BUF\_VREF1V8. The DE0 pin must be connected to the output of the high speed TIA.

To use the DE0 pin for the external  $R_{TIA}$  value, set the following register values:

- ▶ DE0RESCON = 0x97.
- ▶ HSRTIACON, Bits[3:0] = 0xF.

AIN0, AIN1, AIN2, or AIN3/BUF\_VREF1V8 (whichever pin the resistor is connected to) must be connected to the inverting input of the high speed TIA (see the Programmable Switch Matrix section). When DE0RESCON = 0x97, the  $R_{LOAD\_DE0}$  and  $R_{TIA\_DE0}$  resistors are short circuit, which means that the external  $R_{TIA}$  is connected directly to the output of the high speed TIA.

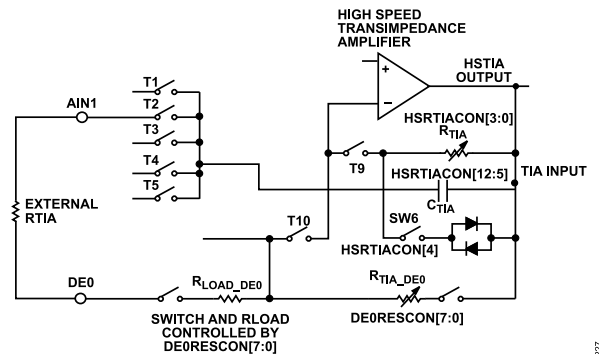


Figure 29. Connecting External  $R_{TIA}$  to the High Speed TIA

Table 36. High Speed TIA Resistor Options on the DE0 Input

DE0RESCON, Bits[7:0] Setting	$R_{LOAD\_DE0}$ Resistor Value ( $\Omega$ )	$R_{TIA\_DE0}$ Resistor Value
0xFF	Disconnected	Disconnected
0x00	0	50 $\Omega$
0x18	0	100 $\Omega$

## HIGH SPEED TIA CIRCUITS

Table 36. High Speed TIA Resistor Options on the DE0 Input (Continued)

DE0RESCON, Bits[7:0] Setting	R <sub>LOAD_DE0</sub> Resistor Value (Ω)	R <sub>TIA_DE0</sub> Resistor Value
0x38	0	200 Ω
0x58	0	1.1 kΩ
0x60	0	5.1 kΩ
0x68	0	10.1 kΩ
0x70	0	20.1 kΩ
0x78	0	40.1 kΩ
0x80	0	80.1 kΩ
0x88	0	160.1 kΩ
0x9	10	50 Ω
0x21	10	100 Ω
0x39	10	190 Ω
0x59	10	1.09 kΩ
0x61	10	5.09 kΩ
0x69	10	10.09 kΩ
0x71	10	20.09 kΩ
0x79	10	40.09 kΩ
0x81	10	80.09 kΩ
0x89	10	160.09 kΩ
0x12	30	50 Ω
0x2A	30	100 Ω
0x4A	30	210 Ω
0x5A	30	1.07 kΩ
0x62	30	5.07 kΩ
0x6A	30	10.07 kΩ
0x72	30	20.07 kΩ
0x7A	30	40.07 kΩ
0x82	30	80.07 kΩ
0x8A	30	160.07 kΩ
0x1B	50	50 Ω
0x33	50	100 Ω
0x4B	50	190 Ω
0x5B	50	1.05 kΩ
0x63	50	5.05 kΩ
0x6B	50	10.05 kΩ
0x73	50	20.05 kΩ
0x7B	50	40.05 kΩ
0x83	50	80.05 kΩ
0x8B	50	160.05 kΩ
0x34	100	50 Ω
0x3C	100	100 Ω
0x54	100	200 Ω
0x5C	100	1 kΩ
0x64	100	5 kΩ
0x6C	100	10 kΩ
0x74	100	20 kΩ
0x7C	100	40 kΩ
0x84	100	80 kΩ

## HIGH SPEED TIA CIRCUITS

Table 36. High Speed TIA Resistor Options on the DE0 Input (Continued)

DE0RESCON, Bits[7:0] Setting	R <sub>LOAD_DE0</sub> Resistor Value ( $\Omega$ )	R <sub>TIA_DE0</sub> Resistor Value
0x8C	100	160 k $\Omega$

## HIGH SPEED TIA CIRCUIT REGISTERS

Table 37. High Speed TIA Registers Summary

Address	Name	Description	Reset	Access
0x000020F0	HSRTIACON	High speed R <sub>TIA</sub> configuration	0x0000000F	R/W
0x000020F8	DE0RESCON	DE0 high speed TIA resistors configuration	0x000000FF	R/W
0x000020FC	HSTIACON	High speed TIA configuration	0x00000000	R/W

High Speed R<sub>TIA</sub> Configuration Register—HSRTIACON

Address 0x000020F0, Reset: 0x0000000F, Name: HSRTIACON

This register controls the high speed R<sub>TIA</sub>, current protection diode, and feedback capacitor

Table 38. Bit Descriptions for HSRTIACON Register

Bits	Bit Name	Settings	Description	Reset	Access
[31:13]	Reserved		Reserved.	0x0	R
[12:5]	CTIACON		Configure capacitor in parallel with R <sub>TIA</sub> . This capacitor stabilizes the amplifier loop. When this bit is set, the capacitor is added in parallel with the R <sub>TIA</sub> resistor. 0 1 pF. 1 2 pF. 10 4 pF. 100 8 pF. 1000 16 pF. 10000 32 pF. 100000 Not used. 1000000 Not used.	0x0	R/W
4	TIASW6CON		SW6 switch control. Use the SW6 switch to select whether or not to use the diode in parallel with R <sub>TIA</sub> . 0 SW6 off, diode is not in parallel with R <sub>TIA</sub> . 1 SW6 on, diode is in parallel with R <sub>TIA</sub> .	0x0	R/W
[3:0]	RTIACON		Configure general R <sub>TIA</sub> value. To use this R <sub>TIA</sub> resistor, close the T9 switch (SWCON, Bit 17) and open the T10 switch (SWCON, Bit 17). 0000 R <sub>TIA</sub> = 200 $\Omega$ . 0001 R <sub>TIA</sub> = 1 k $\Omega$ . 0010 R <sub>TIA</sub> = 5 k $\Omega$ . 0011 R <sub>TIA</sub> = 10 k $\Omega$ . 0100 R <sub>TIA</sub> = 20 k $\Omega$ . 0101 R <sub>TIA</sub> = 40 k $\Omega$ . 0110 R <sub>TIA</sub> = 80 k $\Omega$ . 0111 R <sub>TIA</sub> = 160 k $\Omega$ . 1000 to 1111 R <sub>TIA</sub> is open.	0xF	R/W

## HIGH SPEED TIA CIRCUITS

**DE0 High Speed TIA Resistors Configuration Register—DE0RESCON**

Address 0x000020F8, Reset: 0x000000FF, Name: DE0RESCON

**Table 39. Bit Descriptions for DE0RESCON Register**

Bits	Bit Name	Settings	Description	Reset	Access
[31:8]	Reserved		Reserved.	0x0	R
[7:0]	DEORCON		R <sub>LOAD_DE0</sub> and R <sub>TIA_DE0</sub> setting. To use this R <sub>LOAD_DE0</sub> and R <sub>TIA_DE0</sub> setting, open the T9 switch, close the T10 switch, and set the R <sub>TIA</sub> resistor values (see Table 36).	0xFF	R/W

**High Speed TIA Configuration Register—HSTIACON**

Address 0x000020FC, Reset: 0x00000000, Name: HSTIACON

**Table 40. Bit Descriptions for HSTIACON Register**

Bits	Bit Name	Settings	Description	Reset	Access
[31:2]	Reserved		Reserved.	0x0	R
[1:0]	VBIASSEL		Select high speed TIA positive input. 00 VBIAS_CAP pin 1.11 V voltage source. 01 V <sub>ZERO0</sub> output from low power DAC. 10 Reserved. 11 Reserved.	0x0	R/W

**HIGH PERFORMANCE ADC CIRCUIT**

**ADC CIRCUIT OVERVIEW**

The AD5940/AD5941 implements a 16-bit, 800 kSPS, multichannel SAR ADC. The ADC operates from a 2.8 V to 3.6 V power supply. The host microcontroller interfaces to the ADC via the sequencer or directly through the SPI interface.

An ultralow leakage switch matrix is used for sensor connection and can also be used to multiplex multiple electronic measurement devices to the same wearable electrodes.

The ADC uses a precision, low drift, factory calibrated 1.82 V reference. An external reference source can also be connected to the VREF\_1V8 pin.

ADC conversions are triggered by writing directly to the ADC control register via the SPI interface, or by writing to the ADC control register via the sequencer.

**ADC CIRCUIT DIAGRAM**

Figure 30 shows the ADC core architecture. Figure 30 excludes input buffering, gain stages, and output postprocessing.

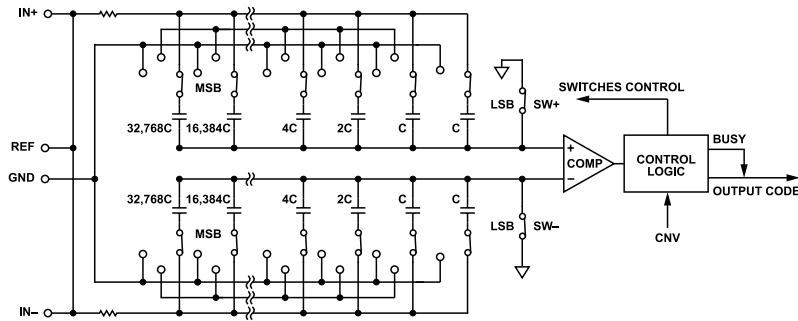


Figure 30. ADC Core Block Diagram (IN+, REF, GND, and IN- are Internal Nodes)

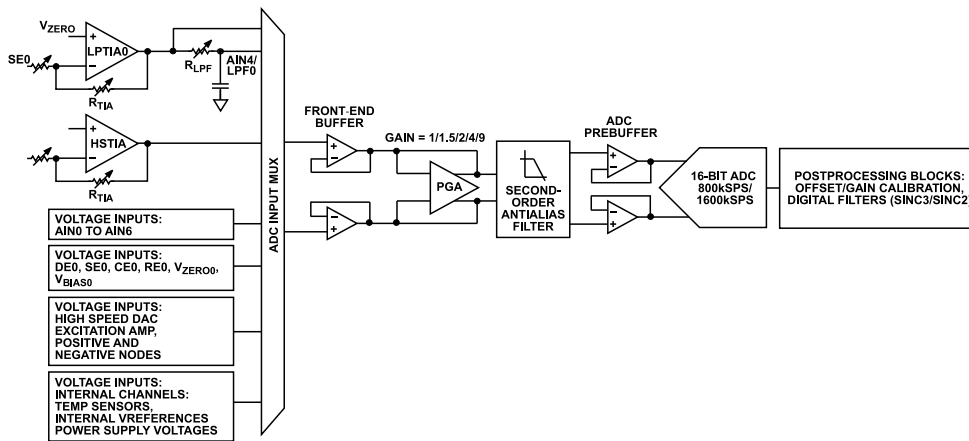


Figure 31. Basic Diagram of ADC Input Channel

## HIGH PERFORMANCE ADC CIRCUIT

### ADC CIRCUIT FEATURES

An input multiplexer, located in front of the high speed, multichannel, 16-bit ADC, enables the measurement of a number of external and internal channels. These channels include the following:

- ▶ Two low power current measurement channels. These channels measure the low current outputs of the connected sensor through the SE0 pin or DE0 pin. The current channels feed into a programmable load resistor.
- ▶ One low power TIA. The low power TIA has its own programmable gain resistor to convert very small currents to a voltage signal that can be measured by the ADC. The low power current channel can be configured to sample with or without a low-pass filter in place.
- ▶ One high speed current input channel for performing impedance measurements up to 200 kHz. The high speed current channel has a dedicated high speed TIA with a programmable gain resistor.
- ▶ Multiple external voltage inputs.
  - ▶ Six dedicated voltage input channels: AIN0, AIN1, AIN2, AIN3/BUF\_VREF1V8, AIN4/LPF0, and AIN6 (AD5940 only).
  - ▶ The sensor electrode pins, SE0, DE0, RE0, and CE0, can also be measured as ADC voltage pins. Divide by 2 options are available on the CE0 pin.
- ▶ Internal ADC channels.
  - ▶ AVDD, DVDD, and AVDD\_REG power supply measurement channels.
  - ▶ ADC, high speed DAC, and low power reference voltage sources.
  - ▶ Internal die temperature sensor.
  - ▶ Two low power DAC output voltages,  $V_{BIAS0}$  and  $V_{ZERO0}$ .
- ▶ ADC result post processing features.
  - ▶ Digital filters (sinc2 and sinc3) and 50 Hz/60 Hz power supply rejection notch filter. The sinc2 and sinc3 filters have programmable oversampling rates to allow the user to trade off conversion speed vs. noise performance.
  - ▶ Discrete Fourier transform (DFT), used with impedance measurements to automatically calculate magnitude and phase values.
  - ▶ Programmable averaging of ADC results to separate the sinc2 and sinc3 filters.
  - ▶ Programmable statistics option for calculating mean and variance automatically.
- ▶ Multiple calibration options to support system calibration of the current, voltage, and temperature channels.

The ADC input stage provides an input buffer to support low input current leakage specifications on all channels.

To support a range of current and voltage based input ranges, the ADC front end provides a PGA and a TIA. The PGA supports gains of 1, 1.5, 2, 4, and 9. The low power TIA supports programmable gain resistors ranging from 200  $\Omega$  to 512 k $\Omega$ . The high speed TIA

used for impedance measurement supports programmable gain resistors ranging from 200  $\Omega$  to 160 k $\Omega$ .

By default, the reference source of the ADC is a precision, low drift, internal 1.82 V reference source. Optionally, an external reference can be connected to the VREF\_1.82V pin and the AGND\_REF pin.

The ADC supports averaging and digital filtering options. The user can trade off speed vs. precision by using these options. The highest ADC update rate is 800 kHz in normal mode and 1.6 MHz in high speed mode, with no digital filtering. The ADC filtering options also include a 50 Hz/60 Hz mains power supply filter. With this notch filter enabled, the ADC update rate is typically 900 Hz.

The ADC supports a number of post processing features, including a DFT engine intended for impedance measurements to remove the processing requirements from the host microcontroller. Minimum, maximum, and mean value detection is also supported.

### ADC CIRCUIT OPERATION

The SAR ADC is based on a charge redistribution DAC. The capacitive DAC consists of two identical arrays of 16 binary weighted capacitors that are connected to the two inputs of the comparator.

The ADC block operates from the 16 MHz clock in normal operation and samples at 800 kSPS. The postprocessing sinc3 and sinc2 filters reduce this output sampling rate. It is recommended to use a sinc3 oversampling rate of 4, which gives an output data rate of 200 kSPS.

For high power mode, the 32 MHz oscillator must be selected as the ADC clock source. The ADC maximum update rate is 1.6 MSPS with higher power consumption, which is only required for impedance measurements in the >80 kHz range.

### ADC TRANSFER FUNCTION

The transfer function in [Figure 32](#) shows the ADC output codes on the y-axis vs. the differential voltage into the ADC.

In [Figure 32](#), the ADC negative input channel is the 1.11 V voltage source.

The positive input channel is any voltage input to the ADC after the TIA or PGA and/or input buffer stages.

## HIGH PERFORMANCE ADC CIRCUIT

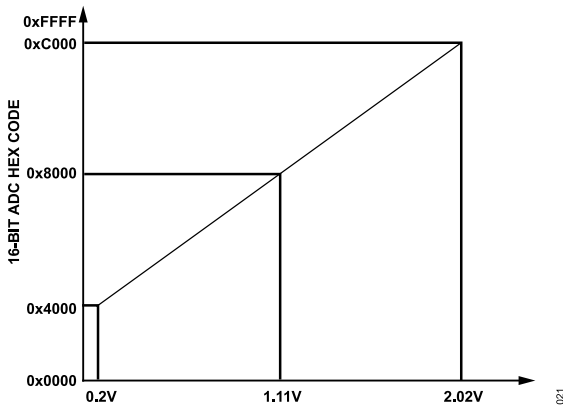


Figure 32. Ideal ADC Transfer Function, Output Codes vs. Voltage Input when PGA is 1

Calculate the input voltage,  $V_{IN}$ , with the following equations.

When the PGA gain is 1, 2, 4, or 9, use the following equation:

$$\frac{V_{REF}}{PGA\_G} \times \left( \frac{ADCDAT - 0x8000}{2^{15}} \right) + VBIAS\_CAP \quad (12)$$

When the PGA gain is 1.5, use the following equation:

$$V_{IN} = \frac{1.835 \text{ V}}{PGA\_G} \times \left( \frac{ADCDAT - 0x8000}{2^{15}} \right) + VBIAS\_CAP \quad (13)$$

Note that  $VBIAS\_CAP$  is added to the calculation when  $ADC\_CON[12:8] = 0x8$ .

where:

$V_{REF}$  is the ADC reference voltage (1.82 V typical).

$PGA\_G$  is the PGA gain and is selectable as 1, 1.5, 2, 4, or 9.

$ADCDAT$  is the raw ADC code in the  $ADCDAT$  register.

$VBIAS\_CAP$  is the voltage of the  $VBIAS\_CAP$  pin, typically 1.11 V.

The equation for PGA gain = 1.5 is different because this gain setting is calibrated in the factory. All other gain settings are not calibrated in the factory.

### ADC LOW POWER CURRENT INPUT CHANNEL

Figure 33 shows the low power TIA input current channel. The ADC measures the output voltage of the low power TIA.

The positive inputs can be selected via  $ADCCON$ , Bits[5:0]. The negative input is nominally selected to be the 1.11 V reference source. Perform this selection by setting  $ADCCON$ , Bits[12:8] = 01000 for  $VBIAS\_CAP$ .

An optional programmable gain stage can be selected to amplify the positive voltage input. The instrumentation amplifier is enabled via  $AFECON$ , Bit 10. The gain setting is configured via  $ADCCON$ , Bits[18:16].

The output of the gain stage goes through an antialias filter. The cutoff frequency of the antialias filter is set by  $PMBW$ , Bits[3:2]. Set the cutoff frequency to suit the input signal bandwidth.

The ADC output code is calibrated with an offset and gain correction factor. This digital adjustment factor occurs automatically. The offset and gain correction register used depends on the ADC input channel selected.

See the [Low Power TIA](#) section for details on how to configure the  $R_{LOAD}$ ,  $R_{TIA}$ , and  $R_{FILTER}$  resistor values. The low power TIA output has a low-pass filter consisting of  $R_{FILTER}$  and an external capacitor connected to the  $AIN4/LPF0$  pin.  $R_{FILTER}$  is typically 1 M $\Omega$  and the external capacitor is recommended to be 1  $\mu$ F, which provides a low cutoff frequency.

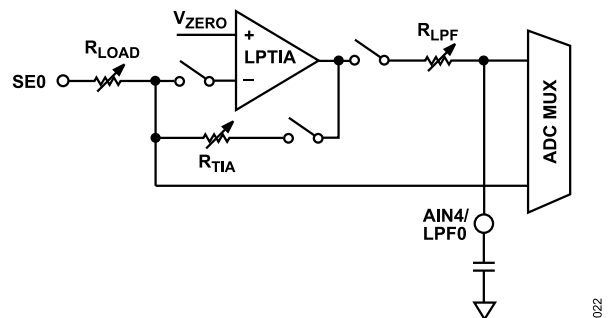


Figure 33. Low Power TIA Current Input Channel to the ADC

### SELECTING INPUTS TO ADC MUX

For optimum ADC operation, the following are the recommended mux inputs based on measurement type:

- ▶ Voltage measurement
  - ▶ Positive mux select =  $CE0$ ,  $RE0$ ,  $SE0$ ,  $DE0$ , and  $AINx$
  - ▶ Negative mux select =  $VBIAS\_CAP$  pin
- ▶ DC current measurement on low power TIA
  - ▶ Positive mux select = low-pass filter of low power TIA
  - ▶ Negative mux select =  $LPTIA\_N$  node
- ▶ AC or higher bandwidth current measurements on the low power TIA
  - ▶ Positive mux select =  $LPTIA\_P$  node
  - ▶  $MUXSEL\_N$  =  $LPTIA\_N$  node
- ▶ Current and impedance measurement on the high speed TIA
  - ▶  $MUXSEL\_P$  = positive high speed TIA output
  - ▶  $MUXSEL\_N$  = negative high speed TIA input

## HIGH PERFORMANCE ADC CIRCUIT

### ADC POSTPROCESSING

The AD5940/AD5941 provides many digital filtering and averaging options to improve signal-to-noise performance and overall measurement accuracy. Figure 34 shows an overview of the postprocessing filter options.

The processing filter options include the following:

- ▶ Digital filtering (sinc2 or sinc3), and 50 Hz or 60 Hz power supply rejection notch filtering.
- ▶ DFT used with impedance measurements to automatically calculate magnitude and phase values.
- ▶ Programmable averaging of ADC results.
- ▶ Programmable statistics option for calculating mean and variance automatically.

### Sinc3 Filter

The input to the sinc3 filter is the raw ADC codes at a rate of 800 kHz (if the 16 MHz oscillator is selected) or 1.6 MHz (if the 32 MHz oscillator is selected). If the ADC clock is 32 MHz, ADCFILTERCON (Bit 0) = 0. This setting ensures that the sinc3 block functions correctly with the 1.6 MHz data rate. To enable the sinc3 filter, ensure that ADCFILTERCON, Bit 6 = 0. The filter decimation rate is programmable with options of 2, 4, or 5. It is recommended to use a decimation rate of 4.

The gain correction block is enabled by default and is not user programmable.

### INTERNAL TEMPERATURE SENSOR CHANNEL

The AD5940/AD5941 contains an internal temperature sensor channel. The temperature sensor outputs a voltage proportional to die temperature. This voltage is linear relative to temperature. This internal channel is measured via the ADC with PGA gain = 1.5 (internal temperature sensor is factory calibrated for ADC PGA gain = 1.5) by selecting the temperature sensor channels as the positive and negative inputs from the mux. The die temperature is calculated by the following:

$$(TEMPSENSDAT0/(PGA\ Gain \times K)) - 273.15 \quad (14)$$

where  $K = 8.13$ .

For improved accuracy, configure the temperature sensor in chop mode via TEMPCON0, Bits[3:1]. If chopping is selected, the user must ensure an even number of ADC conversions take place on the temperature sensor channel and that these results are averaged.

Dedicated calibration registers for the temperature sensor channel are also available. When the ADC selects the temperature sensor as the positive input, the calibration values in the ADCOFFSET-TEMPSENS0 and ADGAINTEMPSENS0 registers are automatically used.

To enable the internal temperature sensor, set AFECON, Bit 12 = 1. Select ADC input channels as follows:

- ▶ ADCCON, Bits[12:8] = 1011 selects the ADC negative input channel.
- ▶ ADCCON, Bits[5:0] = 001011 selects the positive input channel.

To start an ADC conversion of the temperature sensor channel, set AFECON, Bit 13 and AFECON, Bit 8 to 1. For optimal temperature sensor results, enable chop mode of the temperature sensor with the 6.25 kHz chopping frequency. Then, average an even number of ADC temperature sensor results to eliminate any inaccuracies caused by the chopping clock.

### 50 HZ/60 HZ MAINS REJECTION FILTER

To enable the 50 Hz or 60 Hz notch filter for filtering mains noise, clear ADCFILTERCON, Bit 4 = 0 and set AFECON, Bit 16 = 1. The input is the sinc2 filter output. The input rate is dependent on the sinc3 and sinc2 settings. If selected, the sinc2 filter output can be read via the SINC2DAT register. Table 41 describes the digital filter settings that support simultaneous 50 Hz or 60 Hz mains rejection.

### 50 Hz/60 Hz Notch Filter

To remove the 50 Hz and 60 Hz noise present in the measure response, use a 50 Hz/60 Hz notch filter.

To use the notch filter feature, do not bypass the sinc3 filter. Also, the notch filter does not change the data rate. Frequency of input to 50 Hz/60 Hz notch filter must be a multiple of 50 and 60 in order to use the notch filter.

### ADC CALIBRATION

Because of the multiple input types on the AD5940/AD5941 (for example, current, voltage, and temperature), there are multiple offset and gain calibration options. A built in, self calibration system is provided to aid the user when calibrating different ADC input channels, which is included in the AD5940/AD5941 software development kit.

**Table 41. Digital Filter Settings to Support Simultaneous 50 Hz/60 Hz Mains Rejection**

ADCFILTERCON, Bits[13:8] Value	Power Mode (PMBW, Bit 0)	ADC Clock Setting	Sinc3 Oversampling Setting	Sinc2 Oversampling Setting	Final ADC Output Update Rate	Filter Settling Time
0b000011	0 (low power mode)	16 MHz	5	178	900 SPS	37 ms
0b100111	0 (low power mode)	16 MHz	2	667	600 SPS	37 ms
0b101011	0 (low power mode)	16 MHz	2	1333	300 SPS	37 ms
0b101011	1 (high power mode)	32 MHz	2	1333	600 SPS	37 ms

HIGH PERFORMANCE ADC CIRCUIT

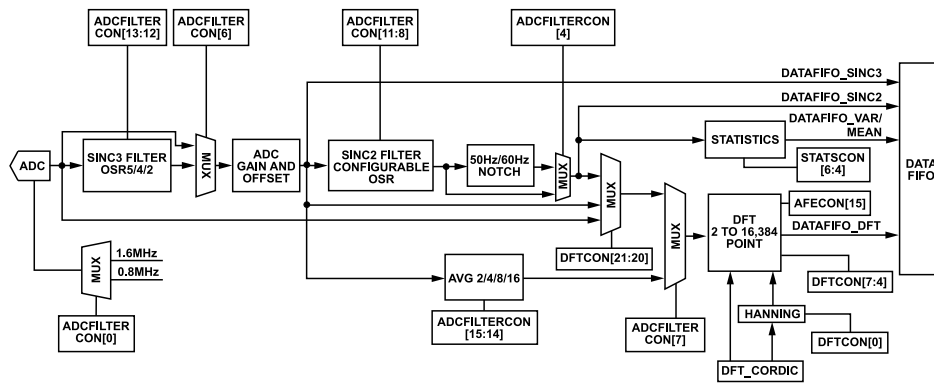


Figure 34. Postprocessing Filter Options

ADC CIRCUIT REGISTERS

Table 42. ADC Control Registers Summary

Address	Name	Description	Reset	Access
0x00002044	ADCFILTERCON	ADC output filters configuration register	0x00000301	R/W
0x00002074	ADCDAT	ADC raw result register	0x00000000	R/W
0x00002078	DFTREAL	DFT result, real device register	0x00000000	R/W
0x0000207C	DFTIMAG	DFT result, imaginary device register	0x00000000	R/W
0x00002080	SINC2DAT	Sinc2 filter result register	0x00000000	R/W
0x00002084	TEMPSENSDAT	Temperature sensor result register	0x00000000	R/W
0x000020D0	DFTCON	DFT configuration register	0x00000090	R/W
0x00002174	TEMPSENS	Temperature sensor configuration register	0x00000000	R/W
0x000021A8	ADCCON	ADC configuration register	0x00000000	R/W
0x000021F0	REPEATADCCNV	Repeat ADC conversion control register	0x00000160	R/W
0x0000238C	ADCBUFCON	ADC buffer configuration register	0x005F3D00	R/W

ADC Output Filters Configuration Register—ADCFILTERCON

Address 0x00002044, Reset: 0x00000301, Name: ADCFILTERCON

Table 43. Bit Descriptions for ADCFILTERCON Register

Bits	Bit Name	Settings	Description	Reset	Access
[31:19]	Reserved		Reserved.	0x0	R
18	DFTCLKENB	0 Enable. 1 Disable.	DFT clock enable.	0x0	
17	DACWAVECLKENB	0 Enable. 1 Disable.	DAC wave clock enable.	0x0	
16	SINC2CLKENB	0 Enable. 1 Disable.	Sinc2 filter clock enable.	0x0	
[15:14]	AVRGNUM	0 2 ADC samples used for the average function. 1 4 ADC samples used for the average function.	These bits set the number of samples used by the averaging function. The average output is fed directly to the DFT block and the DFT source is automatically changed to the average output. The AVRGEN bit must be set to 1 to use these bits.	0x0	R/W

## HIGH PERFORMANCE ADC CIRCUIT

Table 43. Bit Descriptions for ADCFILTERCON Register (Continued)

Bits	Bit Name	Settings	Description	Reset	Access
		10	8 ADC samples used for the average function.		
		11	16 ADC samples used for the average function.		
[13:12]	SINC3OSR		Sinc3 filter oversampling rate. 0 Oversampling rate of 5. Use this setting for the 160 kHz sinc3 filter output update rate and when the ADC update rate is 800 kSPS (default). 1 Oversampling rate of 4. Use this setting for the 400 kHz sinc3 filter output update rate and when the ADC update rate is 1.6 MSPS. High power option. 10 Oversampling rate of 2. Use this setting for the 400 kHz sinc3 filter output update rate and when the ADC update rate is 800 kSPS. 11 Oversampling rate of 5. Use this setting for the 160 kHz sinc3 filter output update rate and when the ADC update rate is 800 kSPS.	0x0	R/W
[11:8]	SINC2OSR		Sinc2 oversampling rate (OSR). 0 22 samples for this OSR setting. 1 44 samples for this OSR setting. 10 89 samples for this OSR setting. 11 178 samples for this OSR setting. 100 267 samples for this OSR setting. 101 533 samples for this OSR setting. 110 640 samples for this OSR setting. 111 667 samples for this OSR setting. 1000 800 samples for this OSR setting. 1001 889 samples for this OSR setting. 1010 1067 samples for this OSR setting. 1011 1333 samples for this OSR setting.	0x3	R/W
7	AVRGEN		ADC average function enable. The average output feeds directly to the DFT block and, when this bit is set, the DFT source automatically changes to the average output. 0 Disable average. 1 Enable average to feed to the DFT block.	0x0	R/W
6	SINC3BYP		Sinc3 filter bypass. This bit bypasses the sinc3 filter. 0 Sinc3 filter enable. 1 Bypasses the sinc3 filter. Raw 800 kHz or 1.6 MHz ADC output data is fed directly to the gain offset adjustment stage. If the sinc3 filter is bypassed, the 200 kHz sine wave can be handled directly by the DFT block without amplitude attenuation. If the sinc3 filter is bypassed and the ADC raw data rate is 800 kHz, the gain offset block output is used as the DFT input.	0x0	R/W
5	Reserved		Reserved	0x0	R
4	LFPBYPEN		50 Hz/60 Hz notch filter. 0 Enables the 50 Hz/60 Hz notch filter. The ADC result is written to the SINC2DAT register. 1 Bypasses the 50 Hz notch and 60 Hz notch filters.	0x0	R/W
[3:1]	Reserved		Reserved.	0x0	R
0	ADCSAMPLERATE		ADC data rate. Unfiltered ADC output rate. 1 800 kHz. 0 1.6 MHz. If the ADC sample rate = 1.6 MHz, the ACLK frequency to analog must be 32 MHz (refer to the clock configuration).	0x0	R/W

## ADC Raw Result Register—ADCDAT

Address 0x00002074, Reset: 0x00000000, Name: ADCDAT

The ADCDAT register is the ADC result register for the raw ADC output or when the sinc3 and/or sinc2 filter options are selected.

## HIGH PERFORMANCE ADC CIRCUIT

Table 44. Bit Descriptions for ADCDAT Register

Bits	Bit Name	Settings	Description	Reset	Access
[31:16]	Reserved		Reserved.	0x0	R
[15:0]	Data		ADC result. This register contains the ADC conversion result. Depending on the user configuration, this result can reflect raw, sinc3, or sinc2 filter outputs. This result is a 16-bit unsigned number.	0x0	R/W

**DFT Result, Real Device Register—DFTREAL**

Address 0x00002078, Reset: 0x00000000, Name: DFTREAL

Table 45. Bit Descriptions for DFTREAL Register

Bits	Bit Name	Settings	Description	Reset	Access
[31:18]	Reserved		Reserved.	0x0	R
[17:0]	Data		DFT, real. The DFT hardware accelerator returns a complex number in Cartesian format (real and imaginary). This register returns the 18-bit real part of this complex number. The DFT result is represented in twos complement format.	0x0	R/W

**DFT Result, Imaginary Device Register—DFTIMAG**

Address 0x0000207C, Reset: 0x00000000, Name: DFTIMAG

Table 46. Bit Descriptions for DFTIMAG Register

Bits	Bit Name	Settings	Description	Reset	Access
[31:18]	Reserved		Reserved.	0x0	R
[17:0]	Data		DFT, imaginary. The DFT hardware accelerator returns a complex number in Cartesian format (real and imaginary). This register returns the 18-bit imaginary part of this complex number. The DFT result is represented in twos complement format.	0x0	R/W

**Sinc2 Filter Result Register—SINC2DAT**

Address 0x00002080, Reset: 0x00000000, Name: SINC2DAT

Table 47. Bit Descriptions for SINC2DAT Register

Bits	Bit Name	Settings	Description	Reset	Access
[31:16]	Reserved		Reserved.	0x0	R
[15:0]	Data		Low-pass filter result. Sinc2 filter, ADC output result. This data is output from the 50 Hz/60 Hz rejection filter. When new data is available, the INTCFLAG1 or INTCFLAG2 registers, Bit 2 is set to 1.	0x0	R/W

**Temperature Sensor Result Register—TEMPSENSDAT**

Address 0x00002084, Reset: 0x00000000, Name: TEMPSSENSDAT

Table 48. Bit Descriptions for TEMPSSENSDAT Register

Bits	Bit Name	Settings	Description	Reset	Access
[31:16]	Reserved		Reserved.	0x0	R
[15:0]	Data		ADC temperature sensor channel result.	0x0	R/W

**DFT Configuration Register—DFTCON**

Address 0x000020D0, Reset: 0x00000090, Name: DFTCON

## HIGH PERFORMANCE ADC CIRCUIT

Table 49. Bit Descriptions for DFTCON Register

Bits	Bit Name	Settings	Description	Reset	Access
[31:22]	Reserved		Reserved.	0x0	R
[21:20]	DFTINSEL		DFT input select. The AVRGEN bit (Bit 7 in the ADCFILTERCON register) is of the highest priority; if this bit = 1, the output of the average block is used as the DFT input, regardless of the DFTINSEL setting. 00 Sinc2 filter output. Select the output from the Sinc2 filter. 01 Gain offset output with or without sinc3. This setting selects the output from the ADC gain and offset correction stage. If the sinc3 filter is bypassed (the SINC3BYP bit in the ADCFILTERCON register = 1), ADC raw data through gain/offset correction is the DFT input. If sinc3 is not bypassed (the SINC3BYP bit in the ADCFILTERCON register = 0), the sinc3 output through gain/offset correction is the DFT input. 10 ADC raw data. Selects the output direct from the ADC; no offset/gain correction. Only supported for an ADC sample rate of 800 kHz. 11 Sinc2 filter output. Select the output from the Sinc2 filter Same as 00.	0x0	R/W
[19:8]	Reserved		Reserved.	0x0	R
[7:4]	DFTNUM		ADC samples used. DFT number ranges from 4 up to 16,384. 0 DFT point number is 4. DFT uses 4 ADC samples. 1 DFT point number is 8. DFT uses 8 ADC samples. 10 DFT point number is 16. DFT uses 16 ADC samples. 11 DFT point number is 32. DFT uses 32 ADC samples. 100 DFT point number is 64. DFT uses 64 ADC samples. 101 DFT point number is 128. DFT uses 128 ADC samples. 110 DFT point number is 256. DFT uses 256 ADC samples. 111 DFT point number is 512. DFT uses 512 ADC samples. 1000 DFT point number is 1024. DFT uses 1024 ADC samples. 1001 DFT point number is 2048. DFT uses 2048 ADC samples. 1010 DFT point number is 4096. DFT uses 4096 ADC samples. 1011 DFT point number is 8192. DFT uses 8192 ADC samples. 1100 DFT point number is 16,384. DFT uses 16,384 ADC samples.	0x9	R/W
[3:1]	Reserved		Reserved.	0x0	R
0	HANNINGEN		Hanning window enable. 0 Disable Hanning window. 1 Enable Hanning window.	0x0	R/W

## Temperature Sensor Configuration Register—TEMPSENS

Address 0x00002174, Reset: 0x00000000, Name: TEMPSSENS

Table 50. Bit Descriptions for TEMPSSENS Register

Bits	Bit Name	Settings	Description	Reset	Access
[31:4]	Reserved		Reserved.	0x0	R
[3:2]	CHOPFRESEL		Chop mode frequency setting. These bits set the frequency of the chop mode switching. 00 Chop switch frequency = 6.25 kHz. 01 Chop switch frequency = 25 kHz. 10 Chop switch frequency = 100 kHz. 11 Chop switch frequency = 200 kHz.	0x0	R/W
1	CHOPCON		Temperature sensor chop mode. Temperature sensor channel chop control signal. 0 Disables chop.	0x0	R/W

## HIGH PERFORMANCE ADC CIRCUIT

Table 50. Bit Descriptions for TEMPSENS Register (Continued)

Bits	Bit Name	Settings	Description	Reset	Access
		1	Enables chop. If chopping is enabled, take 2× consecutive samples and average the results to obtain a final temperature sensor channel reading. Chopping reduces the offset error associated with this channel.		
0	Enable		Unused. Temperature sensor enable. AFECON, Bit 12 overrides this bit.	0x0	R/W
		0	Disable temperature sensor.		
		1	Enable temperature sensor. Temperature sensor enable. AFECON, Bit 12 overrides this bit.		

## ADC Configuration Register—ADCCON

Address 0x000021A8, Reset: 0x00000000, Name: ADCCON

Table 51. Bit Descriptions for ADCCON Register

Bits	Bit Name	Settings	Description	Reset	Access
[31:29]	Reserved		Reserved.	0x0	R
[18:16]	GNPGA		PGA gain setup.	0x0	R/W
		0	Gain = 1.		
		1	Gain = 1.5.		
		10	Gain = 2.		
		11	Gain = 4.		
		100	Gain = 9.		
		101	Gain = 9.		
15	GNOFSEPGA		Internal offset/gain cancellation.	0x0	R/W
		0	DC offset cancellation disabled.		
		1	Enables dc offset cancellation. When the PGA is enabled, only a gain value of 4 is supported.		
[14:13]	Reserved		Reserved.	0x0	R/W
[12:8]	MUXSELN		Select signals for the ADC input multiplexer as negative input.	0x0	R/W
		00000	Floating input.		
		00001	High speed TIA negative input		
		00010	Low power TIA negative input		
		00011	Reserved.		
		00100	AIN0.		
		00101	AIN1.		
		00110	AIN2.		
		00111	AIN3/BUF_VREF1V8.		
		01000	VBIAS_CAP.		
		01001	Reserved.		
		01010	Reserved.		
		01011	Temperature sensor negative output. TEMPSEN_N.		
		01100	AIN4/LPF0.		
		01101	Reserved.		
		01110	AIN6. (AD5940 only)		
		01111	Reserved.		
		10000	V_ZERO0—Measured at V_ZERO pin.		
		10001	V_BIAS0—Measured at V_BIAS pin.		
		10010	Reserved.		
		10011	Reserved.		
		10100	Negative node of excitation amplifier.		
		10101	Reserved.		
		10110	Reserved.		

## HIGH PERFORMANCE ADC CIRCUIT

Table 51. Bit Descriptions for ADCCON Register (Continued)

Bits	Bit Name	Settings	Description	Reset	Access
[7:6]	Reserved		Reserved.	0x0	R
[5:0]	MUXSELP		Select signals for the ADC input multiplexer as positive input.	0x0	R/W
		00000	Floating input.		
		00001	High speed TIA positive signal.		
		00010	Reserved		
		00011	Reserved.		
		00100	Pin AIN0.		
		00101	Pin AIN1.		
		00110	Pin AIN2.		
		00111	AIN3/BUF_VREF1V8.		
		01000	AVDD/2.		
		01001	DVDD/2.		
		01010	AVDD_REG/2.		
		01011	Internal temperature sensor.		
		01100	VBIAS_CAP.		
		01101	Voltage at DE0—Measured at pin		
		01110	Voltage at SE0—Measured at pin		
		01111	AFE3.		
		010000	1.25 V. The internal 2.5 V reference buffer output divided by 2.		
		010001	Reserved.		
		010010	HSDAC 1.8 V internal reference. It is only available when both AFECON.BIT20 and AFECON.BIT6 are set.		
		010011	Negative terminal of internal temperature sensor (TEMPSENS_N).		
		010100	Voltage of AIN4/LPF0 pin		
		010101	Reserved		
		010110	AIN6 (AD5940 only)		
		010111	V <sub>ZERO0</sub> —Measured at V <sub>ZERO</sub> pin		
		011000	V <sub>BIAS0</sub> —Measured at V <sub>BIAS</sub> pin		
		011001	Voltage on CE0 pin, V <sub>CE0</sub> .		
		011010	Voltage on RE0 pin, V <sub>RE0</sub> .		
		011011	Voltage of AFE4 pin		
		011100	Reserved.		
		011101	Voltage of AFE1 pin		
		011110	Voltage of AFE2 pin		
		011111	VCE0 divide by 2		
		100000	Reserved.		
		100001	Low power TIA positive output, LPTIA_P.		
		100010	Reserved.		
		100011	AGND_REF.		
		100100	Buffered voltage of excitation buffer P node.		

## Repeat ADC Conversions Control Register—REPEATADCCNV

Address 0x000021F0, Reset: 0x00000160, Name: REPEATADCCNV

Table 52. Bit Descriptions for REPEATADCCNV Register

Bits	Bit Name	Settings	Description	Reset	Access
[31:12]	Reserved		Reserved.	0x0	R

## HIGH PERFORMANCE ADC CIRCUIT

Table 52. Bit Descriptions for REPEATADCCNV Register (Continued)

Bits	Bit Name	Settings	Description	Reset	Access
[11:4]	NUM	1 0xFF	Repeat value. Writing 0 to these bits causes unpredictable operation. 1 1 conversion. 0xFF 256 conversions.	0x16	R/W
[3:1]	Reserved		Reserved.	0x0	R
0	EN_P enable	0 1	Enable repeat ADC conversions. 0 Disable repeat ADC conversions. 1 Enable repeat ADC conversions.	0x0	R/W

## ADC Buffer Configuration Register—ADCBUFCON

Address 0x0000238C, Reset: 0x005F3D00, Name: ADCBUFCON

The recommended value is 0x005F3D0F in high power mode and 0x005F3D04 in low power mode.

Table 53. Bit Descriptions for ADCBUFCON

Bits	Bit Name	Settings	Description	Reset	Access
[31:9]	Reserved		Reserved.	0x0	R
[8:4]	AMPDIS		Set these bits to 1 to disable the op amp. Set these bits to 0 to enable the op amp. Bit 8 controls the offset cancellation buffers. Bit 7 controls the ADC buffers. Bit 6 controls the PGA. Bit 5 controls the positive front-end buffer. Bit 4 controls the negative front-end buffer.	0x10	R/W
[3:0]	CHOPDIS		Set these bits to 1 to disable chop. Set these bits to 0 to enable chop. Clear these bits when measuring signals <80 kHz. Set these bits when measuring signals >80 kHz. Bit 3 controls the offset cancellation buffers. Bit 2 controls the ADC buffers. Bit 1 controls the PGA. Bit 0 controls the front-end buffers.	0x0	R/W

## ADC CALIBRATION REGISTERS

Table 54. ADC Calibration Registers Summary

Address	Name	Description	Reset	Access
0x00002230	CALDATLOCK	ADC calibration lock register	0x00000000	R/W
0x00002288	ADCOFFSETLPTIA	ADC offset calibration on the low power TIA channel register	0x00000000	R/W
0x0000228C	ADCGNLPTIA	ADC gain calibration for the low power TIA channel register	0x00004000	R/W
0x00002234	ADCOFFSETHSTIA	ADC offset calibration on the high speed TIA channel register	0x00000000	R/W
0x00002284	ADCGAINHSTIA	ADC gain calibration for the high speed TIA channel register	0x00004000	R/W
0x00002244	ADCOFFSETGN1	ADC offset calibration auxiliary channel (PGA gain = 1) register	0x00000000	R/W
0x00002240	ADCGAINGN1	ADC gain calibration auxiliary input channel (PGA gain = 1) register	0x00004000	R/W
0x000022CC	ADCOFFSETGN1P5	ADC offset calibration auxiliary input channel (PGA gain = 1.5) register	0x00000000	R/W
0x00002270	ADCGAINGN1P5	ADC gain calibration auxiliary input channel (PGA gain = 1.5) register	0x00004000	R/W
0x000022C8	ADCOFFSETGN2	ADC offset calibration auxiliary input channel (PGA gain = 2) register	0x00000000	R/W
0x00002274	ADCGAINGN2	ADC gain calibration auxiliary input channel (PGA gain = 2) register	0x00004000	R/W
0x000022D4	ADCOFFSETGN4	ADC offset calibration auxiliary input channel (PGA gain = 4) register	0x00000000	R/W
0x00002278	ADCGAINGN4	ADC gain calibration auxiliary input channel (PGA gain = 4) register	0x00004000	R/W
0x000022D0	ADCOFFSETGN9	ADC offset calibration auxiliary input channel (PGA gain = 9) register	0x00000000	R/W
0x00002298	ADCGAINGN9	ADC gain calibration auxiliary input channel (PGA gain = 9) register	0x00004000	R/W
0x0000223C	ADCOFFSETTEMPSENS	ADC offset calibration temperature sensor channel register	0x00000000	R/W

## HIGH PERFORMANCE ADC CIRCUIT

Table 54. ADC Calibration Registers Summary (Continued)

Address	Name	Description	Reset	Access
0x00002238	ADCGAINTEMPSENS	ADC gain calibration temperature sensor channel register	0x00004000	R/W

**Calibration Data Lock Register—CALDATLOCK**

Address 0x00002230, Reset: 0x00000000, Name: CALDATLOCK

Table 55. Bit Descriptions for CALDATLOCK Register

Bits	Bit Name	Settings	Description	Reset	Access
[31:0]	Key		Password for calibration data registers. These bits prevent the overwriting of data after the calibration phase.	0x0	R/W
		0xDE87A5AF	Write this value to unlock the calibration registers.		

**ADC Offset Calibration on the Low Power TIA Channel Register—ADCOFFSETLPTIA**

Address 0x00002288, Reset: 0x00000000, Name: ADCOFFSETLPTIA

Table 56. Bit descriptions for ADCOFFSETLPTIA Register

Bits	Bit Name	Settings	Description	Reset	Access
[31:15]	Reserved		Reserved.	0x0	R
[14:0]	Value		Offset calibration for the low power TIA. The ADC offset correction for the low power TIA channel is represented as a two's complement number. The calibration resolution is 0.25 LSBs of the ADCDAT LSB size.	0x0	R/W
		0x3FFF	4095.75. Maximum positive offset calibration value.		
		0x0001	0.25. Minimum positive offset calibration value.		
		0x0000	0. No offset adjustment.		
		0x7FFF	-0.25. Minimum negative offset calibration value.		
		0x4000	-4096.0. Maximum negative offset calibration value.		

**ADC Gain Calibration for the Low Power TIA Channel Register—ADCGNLPTIA**

Address 0x0000228C, Reset: 0x00004000, Name: ADCGNLPTIA

Table 57. Bit Descriptions for ADCGNLPTIA Register

Bits	Bit Name	Settings	Description	Reset	Access
[31:15]	Reserved		Reserved.	0x0	R
[14:0]	Value		Gain error calibration for the low power TIA.	0x4000	R/W
		0x7FFF	2. Maximum positive gain adjustment.		
		0x4001	1.000 061. Minimum positive gain adjustment.		
		0x4000	1.0. ADC result multiplied by 1. No gain adjustment (default).		
		0x3FFF	0.999939. Minimum negative gain adjustment.		
		0x2000	0.5. ADC result multiplied by 0.5.		
		0x0001	0.000061. Maximum negative gain adjustment.		
		0x0000	0. Illegal value; results in an ADC result of 0.		

**ADC Offset Calibration on the High Speed TIA Channel Register—ADCOFFSETHSTIA**

Address 0x00002234, Reset: 0x00000000, Name: ADCOFFSETHSTIA

## HIGH PERFORMANCE ADC CIRCUIT

Table 58. Bit Descriptions for ADCOFFSETHSTIA Register

Bits	Bit Name	Settings	Description	Reset	Access
[31:15]	Reserved		Reserved.	0x0	R
[14:0]	Value		High speed TIA offset calibration. ADC offset correction for high speed TIA measurement mode, represented as a twos complement number. The calibration resolution is 0.25 LSBs of the ADCDAT LSB size.	0x0	R/W
		0x3FFF	4095.75. Maximum positive offset calibration value.		
		0x0001	0.25. Minimum positive offset calibration value.		
		0x0000	0. No offset correction.		
		0x7FFF	-0.25. Minimum negative offset correction.		
		0x4000	-4096.0. Maximum negative offset correction.		

## ADC Gain Calibration for the High Speed TIA Channel Register—ADCGAINHSTIA

Address 0x00002284, Reset: 0x00004000, Name: ADCGAINHSTIA

Table 59. Bit Descriptions for ADCGAINHSTIA Register

Bits	Bit Name	Settings	Description	Reset	Access
[31:15]	Reserved		Reserved.	0x0	R
[14:0]	Value		Gain error calibration on the high speed TIA channel.	0x4000	R/W
		0x7FFF	2. Maximum positive gain adjustment.		
		0x4001	1.000061. Minimum positive gain adjustment.		
		0x4000	1.0. ADC result multiplied by 1. No gain adjustment (default).		
		0x3FFF	0.999939. Minimum negative gain adjustment.		
		0x2000	0.5. ADC result multiplied by 0.5.		
		0x0001	0.000061. Maximum negative gain adjustment.		
		0x0000	0. Illegal value; results in an ADC result of 0.		

## ADC Offset Calibration Auxiliary Channel (PGA Gain = 1) Register—ADCOFFSETGN1

Address 0x00002244, Reset: 0x00000000, Name: ADCOFFSETGN1

Table 60. Bit Descriptions for ADCOFFSETGN1 Register

Bits	Bit Name	Settings	Description	Reset	Access
[31:15]	Reserved		Reserved.	0x0	R
[14:0]	Value		Offset calibration gain = 1. ADC offset correction for the auxiliary channel with PGA gain = 1, represented as a twos complement number. The calibration resolution is 0.25 LSBs of the ADCDAT LSB size. Therefore, the calibration resolution is $\pm V_{REF}/2^{18}$ . If $V_{REF} = 1.82\text{ V}$ , the calibration resolution is $1.82/2^{17} = 13.885\ \mu\text{V}$ .	0x0	R/W
		0x3FFF	4095.75. Maximum positive offset calibration value.		
		0x0001	0.25. Minimum positive offset calibration value.		
		0x0000	0. No offset adjustment.		
		0x7FFF	-0.25. Minimum negative offset calibration value.		
		0x4000	-4096. Maximum negative offset calibration value.		

## ADC Gain Calibration Auxiliary Input Channel (PGA Gain = 1) Register—ADCGAINGN1

Address 0x00002240, Reset: 0x00004000, Name: ADCGAINGN1

The ADCGAINGN1 register provides gain calibration for the voltage input channels to the ADC, including the AINx channels.

## HIGH PERFORMANCE ADC CIRCUIT

Table 61. Bit Descriptions for ADCGAINGN1 Register

Bits	Bit Name	Settings	Description	Reset	Access
[31:15]	Reserved		Reserved.	0x0	R
[14:0]	Value		Gain calibration for PGA gain = 1. ADC gain correction for auxiliary input channels. These bits are used for all channels, except the TIA and temperature sensor channels when PGA gain = 1. This value is stored as a signed number. Bit 14 is the sign bit, and Bits[13:0] represent the fractional part.	0x4000	R/W
		0x0000	0. Illegal value; results in an ADC result of 0x8000.		
		0x2000	0.5. ADC result multiplied by 0.5.		
		0x4000	1.0. ADC result multiplied by 1. No gain adjustment (default).		
		0x4001	1.000061. Minimum positive gain adjustment.		
		0x7FFF	2. Maximum positive gain adjustment.		
		0x0001	0.000061. Maximum negative gain adjustment.		
		0x3FFF	0.999939. Minimum negative gain adjustment.		

## ADC Offset Calibration Auxiliary Input Channel (PGA Gain = 1.5) Register—ADCOFFSETGN1P5

Address 0x000022CC, Reset: 0x00000000, Name: ADCOFFSETGN1P5

The ADCOFFSETGN1P5 register provides ADC input offset calibration with PGA gain = 1.5.

Table 62. Bit Descriptions for ADCOFFSETGN1P5 Register

Bits	Bit Name	Settings	Description	Reset	Access
[31:15]	Reserved		Reserved.	0x0	R
[14:0]	Value		Offset calibration gain = 1.5. ADC offset correction with PGA gain = 1.5.	0x0	R/W
		0x3FFF	4095.75. Maximum positive offset calibration value.		
		0x0001	0.25. Minimum positive offset calibration value.		
		0x0000	0. No offset adjustment.		
		0x7FFF	-0.25. Minimum negative offset calibration value.		
		0x4000	-4096. Maximum negative offset calibration value.		

## ADC Gain Calibration Auxiliary Input Channel (PGA Gain = 1.5) Register—ADCGAINGN1P5

Address 0x00002270, Reset: 0x00004000, Name: ADCGAINGN1P5

The ADCGAINGN1P5 register provides gain calibration for the voltage input channels to the ADC, including the AINx channels.

Table 63. Bit Descriptions for ADCGAINGN1P5 Register

Bits	Bit Name	Settings	Description	Reset	Access
[31:15]	Reserved		Reserved.	0x0	R
[14:0]	Value		Gain calibration for PGA gain = 1.5. These bits provide ADC gain correction for the auxiliary input channels. These bits are used for all channels except the TIA and temperature sensor channels when PGA gain = 1.5. This value is stored as a signed number. Bit 14 is the sign bit and Bits[13:0] represent the fractional part.	0x4000	R/W
		0x0000	0. Illegal value resulting in an ADC result of 0.		
		0x2000	0.5. ADC result multiplied by 0.5.		
		0x4000	1.0. ADC result multiplied by 1. No gain adjustment (default value).		
		0x4001	1.000061. Minimum positive gain adjustment.		
		0x7FFF	2. Maximum positive gain adjustment.		
		0x0001	0.000061. Maximum negative gain adjustment.		
		0x3FFF	0.999939. Minimum negative gain adjustment.		

## HIGH PERFORMANCE ADC CIRCUIT

**ADC Offset Calibration Auxiliary Input Channel (PGA Gain = 2) Register—ADCOFFSETGN2**

Address 0x000022C8, Reset: 0x00000000, Name: ADCOFFSETGN2

The ADCOFFSETGN2 register provides ADC input offset calibration with PGA gain = 2

**Table 64. Bit Descriptions for ADCOFFSETGN2 Register**

Bits	Bit Name	Settings	Description	Reset	Access
[31:15]	Reserved		Reserved.	0x0	R
[14:0]	Value		Offset calibration auxiliary channel (PGA gain = 2). These bits provide ADC offset correction for inputs using PGA gain = 2, represented as a two's complement number. The calibration resolution is 0.25 LSB of the ADCDAT LSB size. Therefore, the calibration resolution is $\pm V_{REF}/2^{18}$ . If $V_{REF} = 1.82\text{ V}$ , the calibration resolution is $1.8/2^{17} = 13.73\ \mu\text{V}$ .	0x0	R/W
		0x3FFF	4095.75. Maximum positive offset calibration value.		
		0x0001	0.25. Minimum positive offset calibration value.		
		0x0000	0. No offset adjustment.		
		0x7FFF	-0.25. Minimum negative offset calibration value.		
		0x4000	-4096. Maximum negative offset calibration value.		

**ADC Gain Calibration Auxiliary Input Channel (PGA Gain = 2) Register—ADCGAINGN2**

Address 0x00002274, Reset: 0x00004000, Name: ADCGAINGN2

The ADCGAINGN2 register provides gain calibration for the voltage input channels to the ADC, including the AINx channels, when the PGA is enabled with gain = 2.

**Table 65. Bit Descriptions for ADCGAINGN2 Register**

Bits	Bit Name	Settings	Description	Reset	Access
[31:15]	Reserved		Reserved.	0x0	R
[14:0]	Value		Gain calibration for PGA gain = 2. These bits provide ADC gain correction for the auxiliary input channels. These bits are used for all channels except the TIA and the temperature sensor channels when PGA gain = 2. This value is stored as a signed number. Bit 14 is the sign bit and Bits[13:0] represent the fractional part.	0x4000	R/W
		0x0000	0. Illegal value resulting in an ADC result of 0.		
		0x2000	0.5. ADC result multiplied by 0.5.		
		0x4000	1.0. ADC result multiplied by 1. No gain adjustment (default value).		
		0x4001	1.000061. Minimum positive gain adjustment.		
		0x7FFF	2. Maximum positive gain adjustment.		
		0x0001	0.000061. Maximum negative gain adjustment.		
		0x3FFF	0.999939. Minimum negative gain adjustment.		

**ADC Offset Calibration Auxiliary Input Channel (PGA Gain = 4) Register—ADCOFFSETGN4**

Address 0x000022D4, Reset: 0x00000000, Name: ADCOFFSETGN4

The ADCOFFSETGN4 register provides ADC input offset calibration with PGA gain = 4.

**Table 66. Bit Descriptions for ADCOFFSETGN4 Register**

Bits	Bit Name	Settings	Description	Reset	Access
[31:15]	Reserved		Reserved.	0x0	R
[14:0]	Value		Offset calibration gain = 4. ADC offset correction with PGA gain = 4.	0x0	R/W
		0x3FFF	+4095.75. Maximum positive offset calibration value.		
		0x0001	+0.25. Minimum positive offset calibration value.		

## HIGH PERFORMANCE ADC CIRCUIT

Table 66. Bit Descriptions for ADCOFFSETGN4 Register (Continued)

Bits	Bit Name	Settings	Description	Reset	Access
		0x0000	0. No offset adjustment.		
		0x7FFF	-0.25. Minimum negative offset calibration value.		
		0x4000	-4096. Maximum negative offset calibration value.		

**ADC Gain Calibration Auxiliary Input Channel (PGA Gain = 4) Register—ADCGAINGN4**

Address 0x00002278, Reset: 0x00004000, Name: ADCGAINGN4

The ADCGAINGN4 register provides gain calibration for the voltage input channels to the ADC, including the AINx channels, when PGA is enabled with gain = 4.

Table 67. Bit Descriptions for ADCGAINGN4 Register

Bits	Bit Name	Settings	Description	Reset	Access
[31:15]	Reserved		Reserved.	0x0	R
[14:0]	Value		Gain calibration for PGA gain = 4. These bits provide ADC gain correction for the auxiliary input channels. These bits are used for all channels except the TIA and temperature sensor channels when PGA gain = 4. This value is stored as a signed number. Bit 14 is the sign bit and Bits[13:0] represent the fractional part.	0x4000	R/W
		0x0000	0. Illegal value resulting in an ADC result of 0.		
		0x2000	0.5. ADC result multiplied by 0.5.		
		0x4000	1.0. ADC result multiplied by 1. No gain adjustment (default value).		
		0x4001	1.000061. Minimum positive gain adjustment.		
		0x7FFF	2. Maximum positive gain adjustment.		
		0x0001	0.000061. Maximum negative gain adjustment.		
		0x3FFF	0.999939. Minimum negative gain adjustment.		

**ADC Offset Calibration Auxiliary Input Channel (PGA Gain = 9) Register—ADCOFFSETGN9**

Address 0x000022D0, Reset: 0x00000000, Name: ADCOFFSETGN9

The ADCOFFSETGN9 register provides ADC input offset calibration with PGA gain = 9.

Table 68. Bit Descriptions for ADCOFFSETGN9 Register

Bits	Bit Name	Settings	Description	Reset	Access
[31:15]	Reserved		Reserved.	0x0	R
[14:0]	Value		Offset calibration gain = 9. ADC offset correction with PGA gain = 9.	0x0	R/W
		0x3FFF	4095.75. Maximum positive offset calibration value.		
		0x0001	0.25. Minimum positive offset calibration value.		
		0x0000	0. No offset adjustment.		
		0x7FFF	-0.25. Minimum Negative Offset calibration value.		
		0x4000	-4096. Maximum Negative Offset calibration value.		

**ADC Gain Calibration Auxiliary Input Channel (PGA Gain = 9) Register—ADCGAINGN9**

Address 0x00002298, Reset: 0x00004000, Name: ADCGAINGN9

The ADCGAINGN9 register provides gain calibration for the voltage input channels to the ADC, including the AINx channels, when the PGA is enabled with gain = 9.

## HIGH PERFORMANCE ADC CIRCUIT

Table 69. Bit Descriptions for ADCGAINGN9 Register

Bits	Bit Name	Settings	Description	Reset	Access
[31:15]	Reserved		Reserved.	0x0	R
[14:0]	Value		Gain calibration for PGA gain = 9. These bits provide ADC gain correction for the auxiliary input channels. These bits are used for all channels except the TIA and temperature sensor channels when PGA gain = 9. This value is stored as a signed number. Bit 14 is the sign bit and Bits[13:0] represent the fractional part.	0x4000	R/W
		0x0000	0. Illegal value resulting in an ADC result of 0.		
		0x2000	0.5. ADC result multiplied by 0.5.		
		0x4000	1.0. ADC result multiplied by 1. No gain adjustment (default value).		
		0x4001	1.000061. Minimum positive gain adjustment.		
		0x7FFF	2. Maximum positive gain adjustment.		
		0x0001	0.000061. Maximum negative gain adjustment.		
		0x3FFF	0.999939. Minimum negative gain adjustment.		

## ADC Offset Calibration Temperature Sensor Channel Register—ADCOFFSETTEMPSENS

Address 0x0000223C, Reset: 0x00000000, Name: ADCOFFSETTEMPSENS

Table 70. Bit Descriptions for ADCOFFSETTEMPSENS

Bits	Bit Name	Settings	Description	Reset	Access
[31:15]	Reserved		Reserved.	0x0	R
[14:0]	Value		Offset calibration for the temperature sensor. These bits provide ADC offset correction for the temperature sensor channel, represented as a twos complement number. The calibration resolution is 0.25 LSB of the ADCDAT LSB size. Therefore, the calibration resolution is $\pm V_{REF}/2^{18}$ . If $V_{REF} = 1.82$ V, the calibration resolution is: $1.82/2^{17} = 13.73 \mu\text{V}$ .	0x0	R/W
		0x3FFF	4095.75. Maximum positive offset calibration value.		
		0x0001	0.25. Minimum positive offset calibration value.		
		0x0000	0. No offset adjustment.		
		0x7FFF	-0.25. Minimum negative offset calibration value.		
		0x4000	-4096. Maximum negative offset calibration value.		

## ADC Gain Calibration Temperature Sensor Channel Register—ADCGAINTEMPSENS

Address 0x00002238, Reset: 0x00004000, Name: ADCGAINTEMPSENS

The ADCGAINTEMPSENS register provides the ADC gain calibration value used when measuring the internal temperature sensor.

Table 71. Bit Descriptions for ADCGAINTEMPSENS Register

Bits	Bit Name	Settings	Description	Reset	Access
[31:15]	Reserved		Reserved.	0x0	R
[14:0]	GAINTEMPSENS		Gain calibration for the temperature sensor channel. These bits provide ADC gain correction for the temperature sensor channel. This value is stored as a signed number. Bit 14 is the sign bit and Bits[13:0] represent the fractional part.	0x4000	R/W
		0x0000	0. Illegal value resulting in an ADC result of 0.		
		0x2000	0.5. ADC result multiplied by 0.5.		
		0x4000	1.0. ADC result multiplied by 1. No gain adjustment (default value).		
		0x4001	1.000061. Minimum positive gain adjustment.		
		0x7FFF	2. Maximum positive gain adjustment.		
		0x0001	0.000061. Maximum negative gain adjustment.		
		0x3FFF	0.999939. Minimum negative gain adjustment.		

## HIGH PERFORMANCE ADC CIRCUIT

ADC DIGITAL POSTPROCESSING REGISTERS  
(OPTIONAL)

Table 72. ADC Digital Postprocessing Registers Summary

Address	Name	Description	Reset	Access
0x000020A8	ADCMIN	ADC minimum value check register	0x00000000	R/W
0x000020AC	ADCMINSM	ADC minimum hysteresis value register	0x00000000	R/W
0x000020B0	ADCMAX	ADC maximum value check register	0x00000000	R/W
0x000020B4	ADCMAXSMEN	ADC maximum hysteresis value register	0x00000000	R/W
0x000020B8	ADCDELTA	ADC delta value check register	0x00000000	R/W

## ADC Minimum Value Check Register—ADCMIN

Address 0x000020A8, Reset: 0x00000000, Name: ADCMIN

Table 73. Bit Descriptions for ADCMIN Register

Bits	Bit Name	Settings	Description	Reset	Access
[31:16]	Reserved		Reserved.	0x0	R
[15:0]	MINVAL		ADC minimum value threshold. This value is a low ADCDAT threshold value. If a value less than the value of the MINVAL bit is measured by the ADC, the FLAG4 bit in the INTCFLAG0 register or INTCFLAG1 register is set to 1.	0x0	R/W

## ADC Minimum Hysteresis Value Register—ADCMINSM

Address 0x000020AC, Reset: 0x00000000, Name: ADCMINSM

Table 74. Bit Descriptions for ADCMINSM Register

Bits	Bit Name	Settings	Description	Reset	Access
[31:16]	Reserved		Reserved.	0x0	R
[15:0]	MINCLRVAL		ADCMIN hysteresis value. If a value less than ADCMIN is measured by the ADC, the FLAG4 bit in INTCFLAG0 register or INTCFLAG1 register is set. The FLAG4 bit is set until the value of the ADCDAT register is greater than ADCMIN, Bits[15:0] + ADCMINSM, Bits[15:0].	0x0	R/W

## ADC Maximum Value Check Register—ADCMAX

Address 0x000020B0, Reset: 0x00000000, Name: ADCMAX

Table 75. Bit Descriptions for ADCMAX Register

Bits	Bit Name	Settings	Description	Reset	Access
[31:16]	Reserved		Reserved.	0x0	R
[15:0]	MAXVAL		ADC maximum threshold. These bits form the optional maximum ADCDAT threshold. If a value less than ADCMAX is measured by the ADC, the FLAG5 bit in the INTCFLAG0 register or INTCFLAG1 register is set to 1.	0x0	R/W

## ADC Maximum Hysteresis Value Register—ADCMAXSMEN

Address 0x000020B4, Reset: 0x00000000, Name: ADCMAXSMEN

Table 76. Bit Descriptions for ADCMAXSMEN Register

Bits	Bit Name	Settings	Description	Reset	Access
[31:16]	Reserved		Reserved.	0x0	R

## HIGH PERFORMANCE ADC CIRCUIT

Table 76. Bit Descriptions for ADCMAXSMEN Register (Continued)

Bits	Bit Name	Settings	Description	Reset	Access
[15:0]	MAXSWEN		ADCMAX hysteresis value. If a value greater than the value of the ADCMAX register is measured by the ADC, the FLAG5 bit in INTCFLAG0 register or INTCFLAG1 register is set. The FLAG5 bit remains set until the value of the ADCDAT register is less than the value of ADCMAX, Bits[15:0] – ADCMAXSMEN, Bits[15:0].	0x0	R/W

## ADC Delta Value Check Register—ADCDELTA

Address 0x000020B8, Reset: 0x00000000, Name: ADCDELTA

Table 77. Bit Descriptions for ADCDELTA Register

Bits	Bit Name	Settings	Description	Reset	Access
[31:16]	Reserved		Reserved.	0x0	R
[15:0]	DELTAVAL		ADCDAT code differences limit option. If two consecutive ADCDAT register results have a difference greater than ADCDELTA, Bits[15:0], an error flag is set via the FLAG6 bit of the INTCFLAG0 register or INTCFLAG1 register.	0x0	R/W

## ADC STATISTICS REGISTERS

Table 78. ADC Statistics Registers Summary

Address	Name	Description	Reset	Access
0x000021C0	STATSVAR	Variance output register	0x00000000	R
0x000021C4	STATSCON	Statistics control module configuration register, including mean, variance, and outlier detection blocks	0x00000000	R/W
0x000021C8	STATSMEAN	Mean output register	0x00000000	R

## Variance Output Register—STATSVAR

Address 0x000021C0, Reset: 0x00000000, Name: STATSVAR

Table 79. Bit Descriptions for STATSVAR

Bits	Bit Name	Settings	Description	Reset	Access
31	Reserved		Reserved.	0x0	R
[30:0]	Variance		Statistical variance value. This value indicates the spread from the mean value.	0x0	R

## Statistics Control Register—STATSCON

Address 0x000021C4, Reset: 0x00000000, Name: STATSCON

Table 80. Bit Descriptions for STATSCON Register

Bits	Bit Name	Settings	Description	Reset	Access
[31:12]	Reserved		Reserved.	0x0	R
[11:7]	STDDEV		Standard deviation configuration.	0x0	R/W
[6:4]	SAMPLENUM		Sample size. These bits set the number of ADC samples used for each statistic calculation. 0 128 samples. 1 64 samples. 10 32 samples. 11 16 samples. 100 8 samples.	0x0	R/W
[3:1]	Reserved		Reserved.	0x0	R/W

## HIGH PERFORMANCE ADC CIRCUIT

Table 80. Bit Descriptions for STATSCON Register (Continued)

Bits	Bit Name	Settings	Description	Reset	Access
0	STATSEN		Statistics enable. 0 Disable statistics. 1 Enable statistics.	0x0	R/W

## Statistics Mean Output Register—STATSMEAN

Address 0x000021C8, Reset: 0x00000000, Name: STATSMEAN

Table 81. Bit Descriptions for STATSMEAN Register

Bits	Bit Name	Settings	Description	Reset	Access
[31:16]	Reserved		Reserved.	0x0	R
[15:0]	Mean		Mean output. These bits form the mean value calculated for the number of ADC samples set by STATSCON, Bits[6:4].	0x0	R

## PROGRAMMABLE SWITCH MATRIX

The AD5940/AD5941 provides flexibility for connecting external pins to the high speed DAC excitation amplifier and to the high speed TIA inverting input. This flexibility supports options for impedance measurements of different sensor types and allows an ac signal to be coupled to the dc bias voltage of a sensor.

When configuring the switches, take the switch settings on the output of the low power amplifiers into account.

On power-up, all switches are open to disconnect the sensor.

Figure 35 shows a high level diagram of how each of the switch matrix nodes (data out, positive, negative, and TIA nodes) connect to the internal circuitry of the AD5940/AD5941. Figure 36 shows a detailed diagram of every switch on the matrix.

### SWITCH DESCRIPTIONS

#### Dx/DR0 Switches

The Dx/DR0 switches select the pin to connect to the excitation amplifier output of the high speed DAC. For an impedance measurement, this pin is CE0. The output of the excitation amplifier can be connected to an external calibration resistor ( $R_{CAL}$ ) via the RCAL0 pin if the DR0 switch is closed.

#### Px/Pxx Switches

The Px/Pxx switches select the pin to connect to the positive node of the excitation amplifier of the high speed DAC. For most applications, this pin is RE0. The negative input of the excitation amplifier can be connected to an external calibration resistor via the RCAL0 pin if the PR0 switch is closed.

#### Nx/Nxx Switches

The Nx/Nxx switches select the pin to connect to the negative node of the excitation amplifier of the high speed DAC. The inverting input of the high speed TIA can be connected to an external calibration resistor via the RCAL1 pin if the NR1 switch is closed.

#### Tx/TR1 Switches

The Tx/TR1 switches select the pin to connect to the inverting input of the high speed TIA. The inverting input of the high speed TIA can be connected to  $R_{CAL}$  via the RCAL1 pin if the TR1 switch is closed.

#### AFEx Switches

The AFE1, AFE2, and AFE3 switches are intended for use as switches. In a multimeasurement system, these switches provide a method to switch sensor electrodes, which is useful in bioelectric system applications. However, these pins can be connected to ADC mux too.

### RECOMMENDED CONFIGURATION IN HIBERNATE MODE

To minimize leakage on the switches connecting to the positive node and negative node of the excitation amplifier, and to minimize leakage on the high speed TIA, it is recommended to tie the switches to the internal 1.82 V LDO generated voltage by closing the PL, PL2, NL, and NL2 switches.

In hibernate mode, it is assumed that only the dc bias voltage from the low power amplifiers is required for the sensor.

### OPTIONS FOR CONTROLLING ALL SWITCHES

Figure 36 shows all switches connected to the high speed DAC excitation amplifier and to the inverting input of the high speed TIA.

Two options are available for controlling the switches on the switch matrix,

- ▶ Control the Tx/TR1, Nx/Nxx, Px/Pxx, and Dx/DR0 switches as a group in the SWCON register.
- ▶ Individual control of each switch within the switch matrix using the xSWFULLCON registers.

If controlling the switches using the xSWFULLCON registers, follow this sequence:

1. Write to the specific bit in the xSWFULLCON register.
2. Set the SWSOURCESEL bit in the SWCON register. If this bit is not set after writing to the xSWFULLCON register, the changes do not take effect.

In addition, status registers are available to read back the open or closed status of each switch.

PROGRAMMABLE SWITCH MATRIX

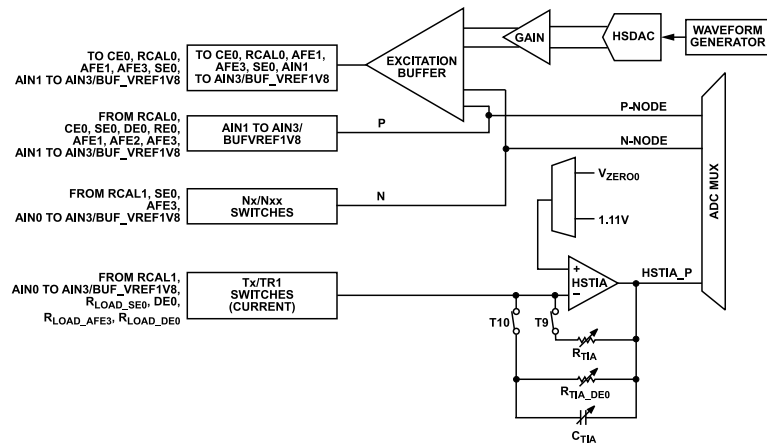


Figure 35. Switch Matrix High Level Diagram

233

PROGRAMMABLE SWITCH MATRIX

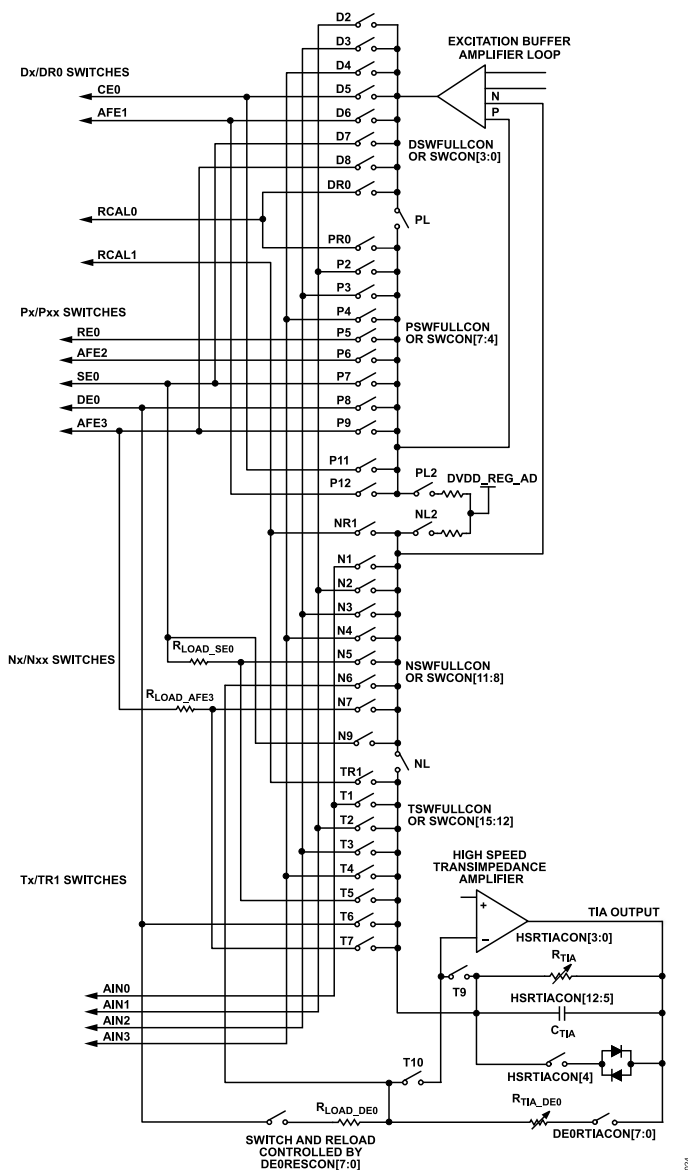


Figure 36. Switch Matrix Block Diagram—Switches Connecting to the High Speed DAC and High Speed TIA

PROGRAMMABLE SWITCHES REGISTERS

Table 82. Programmable Switch Matrix Registers Summary

Address	Name	Description	Reset	Access
0x0000200C	SWCON	Switch matrix configuration	0x0000FFFF	R/W
0x00002150	DSWFULLCON	Switch matrix full configuration (Dx/DR0)	0x00000000	R/W
0x00002154	NSWFULLCON	Switch matrix full configuration (Nx/Nxx)	0x00000000	R/W
0x00002158	PSWFULLCON	Switch matrix full configuration (Px/Pxx)	0x00000000	R/W
0x0000215C	TSWFULLCON	Switch matrix full configuration (Tx/TR1)	0x00000000	R/W
0x000021B0	DSWSTA	Switch matrix status (Dx/DR0)	0x00000000	R
0x000021B4	PSWSTA	Switch matrix status (Px/Pxx)	0x00000000	R
0x000021B8	NSWSTA	Switch matrix status (Nx/Nxx)	0x00000000	R
0x000021BC	TSWSTA	Switch matrix status (Tx/TR1)	0x00000000	R

## PROGRAMMABLE SWITCH MATRIX

## Switch Matrix Configuration Register—SWCON

Address 0x0000200C, Reset: 0x0000FFFF, Name: SWCON

This register allows configuration of the switch matrix.

Table 83. Bit Descriptions for SWCON Register

Bits	Bit Name	Settings	Description	Reset	Access
[31:19]	Reserved		Reserved.	0x0	R
18	T10CON		Control of the T10 switch. 1 T10 closed. 0 T10 open.	0x0	R/W
17	T9CON		Control of the T9 switch. 1 T9 closed. 0 T9 open.	0x0	R/W
16	SWSOURCESEL		Switch control select. This bit selects the registers to control the programmable switches. 1 Switch control source. Switches controlled by DSWFULLCON, TSWFULLCON, PSWFULLCON, and NSWFULLCON registers. 0 Dx/DR0, Tx/TR1, Px/Pxx, and Nx/Nxx switches controlled as groups. Switches controlled as groups via the SWCON register.	0x0	R/W
[15:12]	TMUXCON		Control of the Tx/TR1 switch mux. Does not include control of the T9 or T10 switch. 0000 All switches open. 0001 T1 closed, remaining switches open. 0010 T2 closed, remaining switches open. 0011 T3 closed, remaining switches open. 0100 T4 closed, remaining switches open. 0101 T5 closed, remaining switches open. 0110 T6 closed, remaining switches open. 0111 T7 closed, remaining switches open. 1000 TR1 closed, remaining switches open. 1001 All switches closed. 1010 to 1111 All switches open.	0xF	R/W
[11:8]	NMUXCON		Control of N switch mux. 0000 NL closed, remaining switches open. 0001 N1 closed, remaining switches open. 0010 N2 closed, remaining switches open. 0011 N3 closed, remaining switches open. 0100 N4 closed, remaining switches open. 0101 N5 closed, remaining switches open. 0110 N6 closed, remaining switches open. 0111 N7 closed, remaining switches open. 1000 Reserved. 1001 N9 closed, remaining switches open. 1010 NR1 closed, remaining switches open. 1011 to 1110 NL2 closed, remaining switches open. 1111 All switches open.	0xF	R/W
[7:4]	PMUXCON		Control of Px/Pxx switch mux. 0000 PL closed, remaining switches open. 0001 PR0 closed, remaining switches open. 0010 P2 closed, remaining switches open. 0011 P3 closed, remaining switches open. 0100 P4 closed, remaining switches open.	0xF	R/W

## PROGRAMMABLE SWITCH MATRIX

Table 83. Bit Descriptions for SWCON Register (Continued)

Bits	Bit Name	Settings	Description	Reset	Access
		0101	P5 closed, remaining switches open.		
		0110	P6 closed, remaining switches open.		
		0111	P7 closed, remaining switches open.		
		1000	P8 closed, remaining switches open.		
		1001	P9 closed, remaining switches open.		
		1010	Reserved.		
		1011	P11 closed, remaining switches open.		
		1100	Reserved.		
		1101 to 1110	PL2 closed, remaining switches open.		
		1111	All switches open.		
[3:0]	DMUXCON		Control of Dx/DR0 switch mux.	0xF	R/W
		0000	All switches open.		
		0001	DR0 closed, remaining switches open.		
		0010	D2 closed, remaining switches open.		
		0011	D3 closed, remaining switches open.		
		0100	D4 closed, remaining switches open.		
		0101	D5 closed, remaining switches open.		
		0110	D6 closed, remaining switches open.		
		0111	D7 closed, remaining switches open.		
		1000	D8 closed, remaining switches open.		
		1001	All switches closed.		
		1010 to 1111	All switches open.		

## Switch Matrix Full Configuration Dx/DR0 Register—DSWFULLCON

Address 0x00002150, Reset: 0x00000000, Name: DSWFULLCON

The DSWFULLCON register allows individual control of the Dx/DR0 switches. The bit names are the same as the switch names shown in Figure 36.

Table 84. Bit Descriptions for DSWFULLCON Register

Bits	Bit Name	Settings	Description	Reset	Access
[31:8]	Reserved		Reserved.	0x0	R
7	D8	0 1	Control of the D8 switch. This bit connects the D-node of the excitation amplifier to the AFE3 pin. Switch open. Switch closed.	0x0	R/W
6	D7	0 1	Control of the D7 switch. This bit connects the D-node of the excitation amplifier to the SE0 pin. Switch open. Switch closed.	0x0	R/W
5	Reserved		Reserved.	0x0	R/W
4	D5	0 1	Control of the D5 switch. This bit connects the data out node of the excitation amplifier to the CE0 pin. Switch open. Switch closed.	0x0	R/W
3	D4	0 1	Control of the D4 switch. This bit connects the data out node of the excitation amplifier to the AIN3 pin. Switch open. Switch closed.	0x0	R/W
2	D3	0 1	Control of the D3 switch. This bit connects the data out node of the excitation amplifier to the AIN2 pin. Switch open. Switch closed.	0x0	R/W

## PROGRAMMABLE SWITCH MATRIX

Table 84. Bit Descriptions for DSWFULLCON Register (Continued)

Bits	Bit Name	Settings	Description	Reset	Access
1	D2	0 1	Control of the D2 switch. This bit connects the data out node of the excitation amplifier to the AIN1 pin. Switch open. Switch closed.	0x0	R/W
0	DR0	0 1	Control of the DR0 switch. This bit connects the data out node of the excitation amplifier to the RCAL0 pin. Switch open. Switch closed.	0x0	R/W

## Switch Matrix Full Configuration Nx/Nxx Register—NSWFULLCON

Address 0x00002154, Reset: 0x00000000, Name: NSWFULLCON

The NSWFULLCON register allows individual control of the Nx/Nxx switches. The bit names are the same as the switch names shown in [Figure 36](#).

Table 85. Bit Descriptions for NSWFULLCON Register

Bits	Bit Name	Settings	Description	Reset	Access
[31:12]	Reserved		Reserved.	0x0	R
11	NL2	0 1	Control of the NL2 switch. If this bit is set, NL2 is closed. If this bit is not set, NL2 is open. Switch open. Switch closed.	0x0	R/W
10	NL	0 1	Control of the NL switch. If this bit is set, NL is closed. If this bit is not set, NL is open. This bit shorts the negative node of the excitation amplifier to the inverting input of the high speed TIA. Switch open. Switch closed.	0x0	R/W
9	NR1	0 1	Control of the NR1 switch. If this bit is set, NR1 is closed. If this bit is not set, NR1 is open. This bit connects the negative node of the excitation amplifier to the RCAL1 pin. Switch open. Switch closed.	0x0	R/W
8	N9	0 1	Control of the N9 switch. If this bit is set, N9 is closed. If this bit is not set, N9 is open. This bit connects the negative node of the excitation amplifier directly to the SE0 pin, bypassing the R <sub>LOAD_SE0</sub> resistor. Switch open. Switch closed.	0x0	R/W
7	Reserved		Reserved.		
6	N7	0 1	Control of the N7 switch. If this bit is set, N7 is closed. If this bit is not set, N7 is open. This bit connects the negative node of the excitation amplifier to the AFE3 pin via the R <sub>LOAD_AFE3</sub> resistor. Switch open. Switch closed.	0x0	R/W
5	N6	0 1	Control of the N6 switch. If this bit is set, N6 is closed. If this bit is not set, N6 is open. This bit connects the negative node of the excitation amplifier to SE0. Switch open. Switch closed.	0x0	R/W
4	N5	0 1	Control of the N5 switch. If this bit is set, N5 is closed. If this bit is not set, N5 is open. This bit connects the negative node of the excitation amplifier to the SE0 pin via R <sub>LOAD_SE0</sub> . Switch open. Switch closed.	0x0	R/W
3	N4	0 1	Control of the N4 switch. If this bit is set, N4 is closed. If this bit is not set, N4 is open. This bit connects the negative node of the excitation amplifier to the AIN3 pin. Switch open. Switch closed.	0x0	R/W

## PROGRAMMABLE SWITCH MATRIX

Table 85. Bit Descriptions for NSWFULLCON Register (Continued)

Bits	Bit Name	Settings	Description	Reset	Access
2	N3		Control of the N3 switch. If this bit is set, N3 is closed. If this bit is not set, N3 is open. This bit connects the negative node of the excitation amplifier to the AIN2 pin. 0 Switch open. 1 Switch closed.	0x0	R/W
1	N2		Control of the N2 switch. If this bit is set, N2 is closed. If this bit is not set, N2 is open. This bit connects the negative node of the excitation amplifier to the AIN1 pin. 0 Switch open. 1 Switch closed.	0x0	R/W
0	N1		Control of the N1 switch. If this bit is set, N1 is closed. If this bit is not set, N1 is open. This bit connects the negative node of the excitation amplifier to the AIN0 pin. 0 Switch open. 1 Switch closed.	0x0	R/W

## Switch Matrix Full Configuration Px/Pxx Register—PSWFULLCON

Address 0x00002158, Reset: 0x00000000, Name: PSWFULLCON

The PSWFULLCON register allows individual control of the Px/Pxx switches. The bit names are the same as the switch names shown in [Figure 36](#).

Table 86. Bit Descriptions for PSWFULLCON Register

Bits	Bit Name	Settings	Description	Reset	Access
[31:15]	Reserved		Reserved.	0x0	R
14	PL2		PL2 switch control. 0 Switch open. 1 Switch closed.	0x0	R/W
13	PL		PL switch control. This bit shorts the data out and positive nodes of the excitation amplifier together. 0 Switch open. 1 Switch closed.	0x0	R/W
[12:11]	Reserved		Reserved.	0x0	R/W
10	P11		Control of the P11 switch. Setting this bit closes the P11 switch. The P11 switch is open if this bit is not set. This bit connects the positive node of the excitation amplifier to the CE0 pin. 0 Switch open. 1 Switch closed.	0x0	R/W
9	Reserved		Reserved.	0x0	R/W
8	P9		Control of the P9 switch. Setting this bit closes the P9 switch. The P9 switch is open if this bit is not set. This bit connects the positive node of the excitation amplifier to the AFE3 pin. 0 Switch open. 1 Switch closed.	0x0	R/W
7	P8		Control of the P8 switch. Setting this bit closes the P8 switch. The P8 switch is open if this bit is not set. This bit connects the positive node of the excitation amplifier to the DE0 pin. 0 Switch open. 1 Switch closed.	0x0	R/W
6	P7		Control of the P7 switch. Setting this bit closes the P7 switch. The P7 switch is open if this bit is not set. This bit connects the positive node of the excitation amplifier to the SE0 pin. 0 Switch open. 1 Switch closed.	0x0	R/W

## PROGRAMMABLE SWITCH MATRIX

Table 86. Bit Descriptions for PSWFULLCON Register (Continued)

Bits	Bit Name	Settings	Description	Reset	Access
5	P6		Control of the P6 switch. Setting this bit closes P6. P6 is open if this bit is not set. This bit connects the positive node of the excitation amplifier to the AFE2 pin. 0 Switch open. 1 Switch closed.	0x0	R/W
4	P5		Control of the P5 switch. Setting this bit closes P5. The P5 switch is open if this bit is not set. This bit connects the positive node of the excitation amplifier to the RE0 pin. 0 Switch open. 1 Switch closed.	0x0	R/W
3	P4		Control of the P4 switch. Setting this bit closes P4. The P4 switch is open if this bit is not set. This bit connects the positive node of the excitation amplifier to the AIN3 pin. 0 Switch open. 1 Switch closed.	0x0	R/W
2	P3		Control of the P3 switch. Setting this bit closes P3. The P3 switch is open if this bit is not set. This bit connects the positive node of the excitation amplifier to the AIN2 pin. 0 Switch open. 1 Switch closed.	0x0	R/W
1	P2		Control of the P2 switch. Setting this bit closes P2. The P2 switch is open if this bit is not set. This bit connects the positive node of the excitation amplifier to the AIN1 pin. 0 Switch open. 1 Switch closed.	0x0	R/W
0	PR0		PR0 switch control. This bit connects the positive node of the excitation amplifier to the RCAL0 pin. 0 Switch open. 1 Switch closed.	0x0	R/W

## Switch Matrix Full Configuration Tx/TR1 Register—TSWFULLCON

Address 0x0000215C, Reset: 0x00000000, Name: TSWFULLCON

The TSWFULLCON register allows individual control of the Tx/TR1 switches. The bit names are the same as the switch names shown in [Figure 36](#).

Table 87. Bit Descriptions for TSWFULLCON Register

Bits	Bit Name	Settings	Description	Reset	Access
[31:12]	Reserved		Reserved.	0x0	R
11	TR1		Control of the TR1 switch. Setting this bit closes TR1. The TR1 switch is open if this bit is not set. This bit connects the RCAL1 pin to the inverting input of the high speed TIA. 0 Switch open. 1 Switch closed.	0x0	R/W
10	Reserved		Reserved.	0x0	R/W
9	T10		Control of the T10 switch. Setting this bit closes T10. The T10 switch is open if this bit is not set. This bit connects the DE0 pin to the inverting input of the high speed TIA. 0 Switch open. 1 Switch closed.	0x0	R/W
8	T9		Control of the T9 switch. Setting this bit closes T9. The T9 switch is open if this bit is not set. This switch is used in conjunction with the T10 switch. 0 Switch open. When open, the inverting input of the high speed TIA can be DE0 via the T10 switch. 1 Switch closed. Ensure that T10 is open. The inverting input of the high speed TIA is determined by T1, T2, T3, T4, T5, and T6.	0x0	R/W
7	Reserved		Reserved.	0x0	R/W

## PROGRAMMABLE SWITCH MATRIX

Table 87. Bit Descriptions for TSWFULLCON Register (Continued)

Bits	Bit Name	Settings	Description	Reset	Access
6	T7		Control of the T7 switch. Setting this bit closes T7. The T7 switch is open if this bit is not set. 0 Switch open. 1 Switch closed.	0x0	R/W
5	T6		Control of the T6 switch. Setting this bit closes T6. The T6 switch is open if this bit is not set. This bit allows connection of the RCALx path to the DE0 input to calibrate the R <sub>LOAD_DE0</sub> and R <sub>TIA_DE0</sub> resistors. 0 Switch open. 1 Switch closed.	0x0	R/W
4	T5		Control of the T5 switch. Setting this bit closes T5. The T5 switch is open if this bit is not set. This bit connects the inverting input of the high speed TIA to the SE0 pin via the T9 switch and R <sub>LOAD_SE0</sub> . 0 Switch open. 1 Switch closed.	0x0	R/W
3	T4		Control of the T4 switch. Setting this bit closes T4. The T4 switch is open if this bit is not set. This bit connects the inverting input of the high speed TIA to the AIN3 pin via the T9 switch. 0 Switch open. 1 Switch closed.	0x0	R/W
2	T3		Control of the T3 switch. Setting this bit closes T3. The T3 switch is open if this bit is not set. This bit connects the inverting input of the high speed TIA to the AIN2 pin via the T9 switch. 0 Switch open. 1 Switch closed.	0x0	R/W
1	T2		Control of the T2 switch. Setting this bit closes T2. T2 is open if this bit is not set. This bit connects the inverting input of the high speed TIA to the AIN1 pin via the T9 switch. 0 Switch open. 1 Switch closed.	0x0	R/W
0	T1		Control of the T1 switch. Setting this bit closes T1. T1 is open if this bit is not set. This bit connects the inverting input of the high speed TIA to the AIN0 pin via the T9 switch. 0 Switch open. 1 Switch closed.	0x0	R/W

## Switch Matrix Status Dx/DR0 Register—DSWSTA

Address 0x000021B0, Reset: 0x00000000, Name: DSWSTA

The DSWSTA register indicates the status of the Dx/DR0 switches. The bit names are the same as the switch names shown in [Figure 36](#).

Table 88. Bit Descriptions for DSWSTA Register

Bits	Bit Name	Settings	Description	Reset	Access
[31:7]	Reserved		Reserved.	0x0	R
6	D7STA		Status of the D7 switch. 0 Switch open. 1 Switch closed.	0x0	R
5	D6STA		Status of the D6 switch. 0 Switch open. 1 Switch closed.	0x0	R
4	D5STA		Status of the D5 switch. 0 Switch open. 1 Switch closed.	0x0	R
3	D4STA		Status of the D4 switch. 0 Switch open. 1 Switch closed.	0x0	R

## PROGRAMMABLE SWITCH MATRIX

Table 88. Bit Descriptions for DSWSTA Register (Continued)

Bits	Bit Name	Settings	Description	Reset	Access
2	D3STA		Status of the D3 switch. 0 Switch open. 1 Switch closed.	0x0	R
1	D2STA		Status of the D2 switch. 0 Switch open. 1 Switch closed.	0x0	R
0	DR0STA		Status of the DR0 switch. 0 Switch open. 1 Switch closed.	0x0	R

## Switch Matrix Status Px/Pxx Register—PSWSTA

Address 0x000021B4, Reset: 0x00000000, Name: PSWSTA

The PSWSTA register indicates the status of the Px/Pxx switches. The bit names are the same as the switch names shown in Figure 36.

Table 89. Bit Descriptions for PSWSTA Register

Bits	Bit Name	Settings	Description	Reset	Access
[31:15]	Reserved		Reserved.	0x0	R
14	PL2STA		Status of PL2 Switch. 0 Switch Open. 1 Switch Closed.	0x0	R
13	PLSTA		PL Switch Control. 0 Switch Open. 1 Switch Closed.	0x0	R
12	P13STA		Status of the P13 Switch. 0 Switch Open. 1 Switch Closed.	0x0	R
11	Reserved		Reserved	0x0	R
10	P11STA		Status of the P11 Switch. 0 Switch Open. 1 Switch Closed.	0x0	R
9	Reserved		Reserved	0x0	R
8	P9STA		Status of the P9 Switch. 0 Switch Open. 1 Switch Closed.	0x0	R
7	P8STA		Status of the P8 Switch. 0 Switch Open. 1 Switch Closed.	0x0	R
6	P7STA		Status of the P7 Switch. 0 Switch Open. 1 Switch Closed.	0x0	R
5	P6STA		Status of the P6 Switch. 0 Switch Open. 1 Switch Closed.	0x0	R
4	P5STA		Status of the P5 Switch. 0 Switch Open. 1 Switch Closed.	0x0	R

## PROGRAMMABLE SWITCH MATRIX

Table 89. Bit Descriptions for PSWSTA Register (Continued)

Bits	Bit Name	Settings	Description	Reset	Access
3	P4STA		Status of the P4 Switch. 0 Switch Open. 1 Switch Closed.	0x0	R
2	P3STA		Status of the P3 Switch. 0 Switch Open. 1 Switch Closed.	0x0	R
1	P2STA		Status of the P2 Switch. 0 Switch Open. 1 Switch Closed.	0x0	R
0	PR0STA		Status of the PR0 Switch 0 Switch Open. 1 Switch Closed.	0x0	R

## Switch Matrix Status Nx/Nxx Register—NSWSTA

Address 0x000021B8, Reset: 0x00000000, Name: NSWSTA

The NSWSTA register indicates the status of the Nx/Nxx switches. The bit names are the same as the switch names shown in [Figure 36](#).

Table 90. Bit Descriptions for NSWSTA Register

Bits	Bit Name	Settings	Description	Reset	Access
[31:12]	Reserved		Reserved.	0x0	R
11	NL2STA		Status of the NL2 switch. 0 Switch open. 1 Switch closed.	0x0	R
10	NLSTA		Status of the NL switch. 0 Switch open. 1 Switch closed.	0x0	R
9	NR1STA		Status of the NR1 switch. 0 Switch open. 1 Switch closed.	0x0	R
8	N9STA		Status of the N9 switch. 0 Switch open. 1 Switch closed.	0x0	R
7	Reserved		Reserved	0x0	R
6	N7STA		Status of the N7 switch. 0 Switch open. 1 Switch closed.	0x0	R
5	N6STA		Status of the N6 switch. 0 Switch open. 1 Switch closed.	0x0	R
4	N5STA		Status of the N5 switch. 0 Switch open. 1 Switch closed.	0x0	R
3	N4STA		Status of the N4 switch. 0 Switch open. 1 Switch closed.	0x0	R

## PROGRAMMABLE SWITCH MATRIX

Table 90. Bit Descriptions for NSWSTA Register (Continued)

Bits	Bit Name	Settings	Description	Reset	Access
2	N3STA		Status of the N3 switch. 0 Switch open. 1 Switch closed.	0x0	R
1	N2STA		Status of the N2 switch. 0 Switch open. 1 Switch closed.	0x0	R
0	N1STA		Status of the N1 switch. 0 Switch open. 1 Switch closed.	0x0	R

## Switch Matrix Status Tx/TR1 Register—TSWSTA

Address 0x000021BC, Reset: 0x00000000, Name: TSWSTA

The TSWSTA register indicates the status of the Tx/TR1 switches. The bit names are the same as the switch names shown in Figure 36.

Table 91. Bit Descriptions for TSWSTA Register

Bits	Bit Name	Settings	Description	Reset	Access
[31:12]	Reserved		Reserved.	0x0	R
11	TR1STA		Status of the TR1 switch. 0 Switch open. 1 Switch closed.	0x0	R
10	Reserved		Reserved	0x0	R
9	T10STA		Status of the T10 switch. 0 Switch open. 1 Switch closed.	0x0	R
8	T9STA		Status of the T9 switch. 0 Switch open. 1 Switch closed.	0x0	R
7	Reserved		Reserved.	0x0	R
6	T7STA		Status of the T7 switch. 0 Switch open. 1 Switch closed.	0x0	R
5	T6STA		Status of the T6 switch. 0 Switch open. 1 Switch closed.	0x0	R
4	T5STA		Status of the T5 switch. 0 Switch open. 1 Switch closed.	0x0	R
3	T4STA		Status of the T4 switch. 0 Switch open. 1 Switch closed.	0x0	R
2	T3STA		Status of the T3 switch. 0 Switch open. 1 Switch closed.	0x0	R
1	T2STA		Status of the T2 switch. 0 Switch open. 1 Switch closed.	0x0	R

**PROGRAMMABLE SWITCH MATRIX****Table 91. Bit Descriptions for TSWSTA Register (Continued)**

Bits	Bit Name	Settings	Description	Reset	Access
0	T1STA		Status of the T1 switch.	0x0	R
		0	Switch open.		
		1	Switch closed.		

**PRECISION VOLTAGE REFERENCES**

This section describes the integrated voltage reference options available on the AD5940/AD5941. The AD5940/AD5941 can generate accurate voltage references for the ADC and DAC. There is a 1.82 V reference for the ADC and DAC and a 2.5 V reference for the potentiostat. The 2.5 V reference must be decoupled via the VREF\_2V5 pin and the 1.82 V reference must be decoupled via the VREF\_1V82 pin. There is a 1.11 V reference for the ADC input bias. This reference must be decoupled via the VBIAS\_CAP pin.

There are both high power and low power buffers associated with the 1.11 V and 1.82 V references. The high power buffers are used when the ADC is in active mode and is converting. The low power buffers are used in hibernate mode to maintain the charge on the decoupling capacitors to enable faster wakeup from hibernate mode.

Figure 37 shows the various voltage reference options available and the register and bits that control these options.

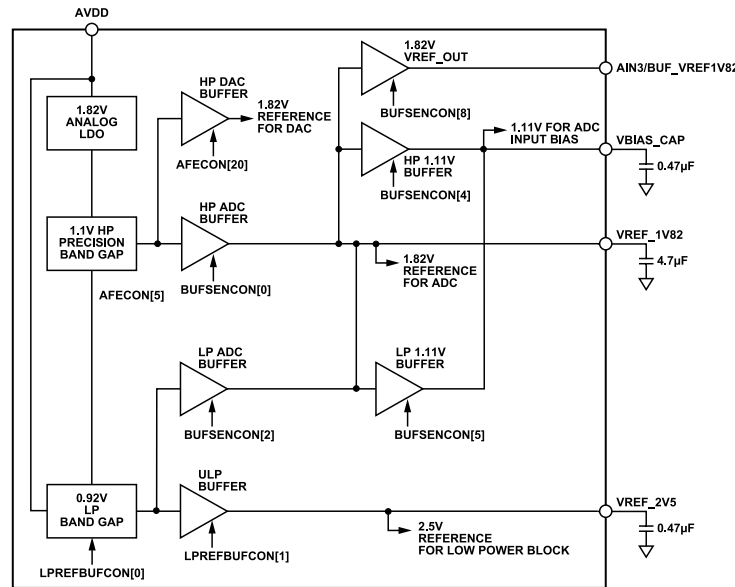


Figure 37. Precision Voltage References

**HIGH POWER AND LOW POWER BUFFER CONTROL REGISTER—BUFSENCON**

Address 0x00002180, Reset: 0x00000037, Name: BUFSENCON

Table 92. Bit Descriptions for BUFSENCON Register

Bits	Bit Name	Settings	Description	Reset	Access
[31:9]	Reserved		Reserved.	0x0	R
8	V1P8THERMSTEN		Buffered reference output. Buffered output to the AIN3/BUF_VREF1V82 pin. 0 Disables 1.82 V buffered reference output. 1 Enables 1.82 V buffered reference output.	0x0	R/W
7	Reserved		Reserved.	0x0	R
6	V1P1LPADCCGDIS		Controls the decoupling capacitor discharge switch. This switch connects the 1.11 V internal reference for the ADC common-mode voltage to an internal discharging circuit. Leave this bit open for normal operation to maintain the reference voltage on the external 1.11 V decoupling capacitor. 0 Opens switch (recommended value). Leave the switch open to maintain charge on external decoupling capacitor for the 1.11 V reference. 1 Closes switch. Close this switch to connect the 1.11 V reference to the discharging circuit.	0x0	R/W
5	V1P1LPADCEN		ADC 1.11 V low power common-mode buffer (optional). Use the high speed or low power reference buffer. 0 Disables the 1.11 V low power reference buffer of the ADC. 1 Enables the 1.11 V low power reference buffer of the ADC.	0x1	R/W

## PRECISION VOLTAGE REFERENCES

Table 92. Bit Descriptions for BUFSENCON Register (Continued)

Bits	Bit Name	Settings	Description	Reset	Access
4	V1P1HSADCEN		Enables the 1.11 V, high speed, common-mode buffer. This bit controls the buffer for the 1.11 V common-mode voltage source to the ADC input stage. 0 Disables the 1.11 V, high speed, common-mode buffer. 1 Enables the 1.11 V, high speed, common-mode buffer (recommended value for normal ADC operation).	0x1	R/W
3	V1P8HSADCCHGDIS		Controls the decoupling capacitor discharge switch. This switch connects the 1.82 V internal ADC reference to an internal discharging circuit. Leave this bit open for normal operation to maintain the reference voltage on the external decoupling capacitor. 0 Opens switch. If opened, the voltage on the external decoupling capacitor for the reference is maintained (recommended value). 1 Closes switch. Close this switch to connect the reference to the discharge circuit.	0x0	R/W
2	V1P8LPADCEN		ADC 1.82 V low power reference buffer. 0 Disables the low power 1.82 V reference buffer. 1 Enables the low power 1.82 V reference buffer (recommended value). This setting speeds up the settling time when exiting a power-down state.	0x1	R/W
1	V1P8HSADCILIMITEN		High speed ADC input current limit. This bit protects the ADC input buffer. 0 Disables buffer current limit. 1 Enables buffer current limit (recommended value).	0x1	R/W
0	V1P8HSADCEN		High power 1.82 V reference buffer. Enable the reference buffer for normal ADC conversions. 0 Disables 1.82 V high speed ADC reference buffer. 1 Enables 1.82 V high speed ADC reference buffer.	0x1	R/W

## SEQUENCER

### SEQUENCER FEATURES

The features of the AD5940/AD5941 sequencer are as follows:

- ▶ Programmable for cycle accurate applications.
- ▶ Four separate command sequences.
- ▶ Large 6 kB SRAM to store sequences.
- ▶ FIFO for storing measurement results.
- ▶ Control via the wake-up timer, SPI command, or GPIO toggle.
- ▶ Various interrupts from user maskable sources.

### SEQUENCER OVERVIEW

The role of the sequencer is to allow offloading of the low level AFE operations from the external microcontroller and to provide cyclic accurate control over the analog DSP blocks. The sequencer handles timing critical operations without being subject to system load.

In the AD5940/AD5941, four sequences are supported by hardware. These sequences can be stored in SRAM to easily switch between different measurement procedures. Only one sequence can be executed by the sequencer at a time. However, the user can configure which sequences the sequencer executes and the order in which they are executed.

The sequencer reads commands from the sequence that is stored in the command memory and, depending on the command, either waits a certain amount of time or writes a value to a memory map register (MMR). The execution is sequential, with no branching. The sequencer cannot read MMR values or signals from the analog or DSP blocks.

To enable the sequencer, set the SEQEN bit in the SEQCON register. Writing 0 to this bit disables the sequencer.

The rate at which the sequencer commands are executed is provided in the SEQWRTMR bits in the SEQCON register. When a write command is executed by the sequencer, the sequencer performs the MMR write and then waits SEQWRTMR clock cycles before fetching the next command in the sequence. The effect is the same as a write command followed by a wait command. The main purpose of this setup is to reduce code size when generating arbitrary waveforms. The SEQWRTMR bits do not have any effect following a wait or timeout command.

In addition to a single write command being followed by a wait command, multiple write commands can be executed in succession followed by a wait command. Any configuration can be set up rapidly by the sequencer, regardless of the number of register writes followed by a precisely executed delay.

The sequencer can also be paused by setting the SEQHALT bit in the SEQCON register. This option applies to each function, including FIFO operations, internal timers, and waveform generation. Reads from the MMRs are allowed when the sequencer is paused. This mode is intended for debugging during software development.

The number of commands executed by the sequencer can be read from the SEQCNT register. Each time a command is read from command memory and executed, the counter is incremented by 1. Performing a write to the SEQCNT register resets the counter.

The sequencer calculates the cyclic redundancy check (CRC) of all commands it executes. The algorithm used is the CRC-8, using the  $x^8 + x^2 + x + 1$  polynomial. The CRC-8 algorithm performs on 32-bit input data (sequencer instructions). Each 32-bit input is processed in one clock cycle and the result is available immediately for reading by the host controller. The CRC value can be read from the SEQCRC register. This register is reset by the same mechanism as the command count, by writing to the SEQCNT register. The SEQCRC resets to a seed value of 0x01. SEQCRC is a read only register.

### SEQUENCER COMMANDS

There are two types of commands that can be executed by the sequencer: write commands and timer commands, which includes wait commands and timeout commands.

#### Write Command

Use a write instruction to write data into a register. The register address must lie between 0x00000000 and 0x000021FC. [Figure 38](#) shows the format of the instruction. The MSB is equal to 1, which indicates a write command.

In [Figure 38](#), ADDR is the write address and data is the write data to be written to the MMR. All write instructions finish within one cycle.

The address field is seven bits wide, allowing access to registers from Address 0x0 to address 0x1FC in the AFE register block. All MMR accesses are 32 bits only. Byte and half word accesses are forbidden. All accesses are implied write only. There is a direct mapping between the address field and the MMR address. In [Figure 38](#), ADDR corresponds to Bits[8:2] of the 16-bit MMR address.

For example, when writing to the WGCON register directly through the SPI interface, the address used is 0x2014. To write to the same register using the sequencer, the address field must be 0b0000101 (Bits[8:2] of the address used by the external controller).

The data field is 24 bits wide and only allows writing to the MMR bits, Bits[23:0]. It is not possible to write to the full 32 bits of the MMRs via the sequencer. However, Bits[31:24] are not used by any of the MMRs. Therefore, all assigned MMR bits can be written by the sequencer.

#### Timer Command

There are two timer commands in the sequencer, with a separate hardware counter for each.

**SEQUENCER**

The wait command introduces wait states in the sequencer execution. After the programmed counter reaches 0, the execution is resumed by reading the next command from command memory.

The timeout command starts a counter that operates independently of the sequencer flow. When the timer elapses, one of two interrupts is generated: a sequence timeout error interrupt, INTSEL17, or a sequence timeout finished interrupts, INTSEL16. Both interrupts are configured in the INTSELx registers. The sequence timeout finished interrupt is asserted at the end of the timeout period. The sequence timeout error interrupt is asserted if, at the end of the timeout period, the sequencer does not reach the end of execution. These interrupts are cleared by writing to the corresponding bits in the INTCLR register. The current value of

the counter can be read by the host controller at any time through the SEQTIMEOUT register.

The timeout counter is not reset when the sequencer execution is stopped as a result of a sequencer write command. However, it is reset if the host controller writes a 0 to the SEQEN bit in the SEQCON register. This reset applies to situations when the host must abort the sequence.

The time unit for both timer commands is one ACLK period. For a clock frequency of 16 MHz, the timer resolution is 62.5 ns, and the maximum timeout is 67.1 sec. These values are true even if the SEQWRTMR bits in the SEQCON register are nonzero.

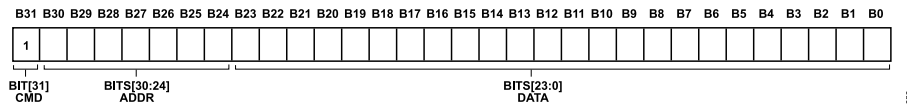


Figure 38. Sequencer Write Command

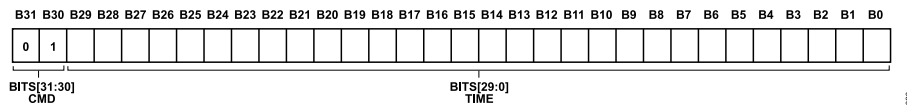


Figure 39. Sequencer Timer Command

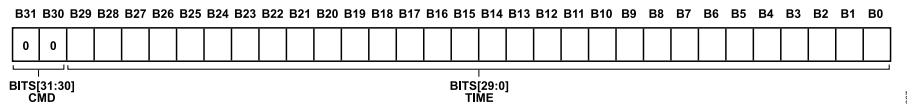


Figure 40. Sequencer Wait Command

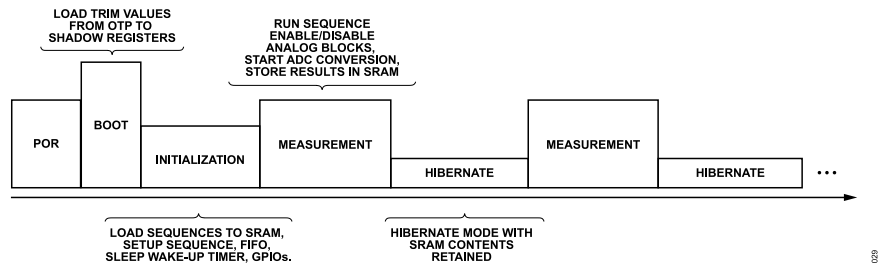


Figure 41. Run Sequence

## SEQUENCER

### SEQUENCER OPERATION

Figure 41 shows the typical steps required to set up the sequencer to take measurements. After the device is booted, the sequencer, command memory, and data FIFO must be configured. The following steps are required for this configuration:

1. Configure the command memory.
2. Load the sequences into SRAM.
3. Set the Sequence 0 (SEQ0) to Sequence 3 (SEQ3) information sequences.
4. Configure the data FIFO.
5. Configure the sleep wake-up timer.
6. Configure the GPIO pin mux.
7. Configure the interrupts.
8. Configure the sleep and wake-up method.

#### Command Memory

The command memory stores the sequence commands and provides a link between the external microcontroller and the sequencer. The command memory can be configured to use the 2 kB, 4 kB, and 6 kB SRAM memory sizes, which are selected using the CMDDATACON, Bits[2:0].

The large amount of memory available for the command memory facilitates the creation of larger, more complex sequences.

Determine the number of commands in a sequence by reading SEQXINFO, Bits[26:16].

The command memory is unidirectional. The host microcontroller specifies the destination address of the command by writing to the CMDFIFOWADDR register and writes the command contents to the CMDFIFOWRITE register. The sequencer reads the commands from memory for execution.

There are a number of interrupts associated with the command FIFO, including the FIFO threshold interrupt, the FIFO empty interrupt, and the FIFO full interrupt. Refer to the [Interrupts](#) section for more information.

#### Loading Sequences

The sequence commands are written to SRAM by writing to two registers. The address in SRAM for the command is written to the CMDFIFOWADDR register. The command content is written to the CMDFIFOWRITE register. After all the commands are written to SRAM, set the SEQ0 to SEQ3 information sequences by writing to the SEQXINFO registers.

Each information sequence from SEQ0 to SEQ3 requires a start address in SRAM and a total number of commands for that sequence. The number of commands is written to SEQXINFO, Bits[26:16]. The start address is written to SEQXINFO, Bits[10:0]. Ensure there is no overlap between the four sequences. There is

no hardware mechanism in place to warn the user of overlapping sequences.

There are a number of interrupt sources associated with the sequencer, including the following:

- ▶ Sequence timeout error.
- ▶ Sequencer timeout command finished.
- ▶ End of sequence interrupt. For this interrupt to be asserted, SEQCON, Bit 0, must be cleared at the end of the sequencer command.

Refer to the [Interrupts](#) section for more information.

#### Data FIFO

The data FIFO provides a buffer for the output of the analog and DSP blocks before it is read by the external controller.

The memory available for the data FIFO can be selected in the DATA\_MEM\_SEL bits in the CMDDATACON register. The available options are 2 kB, 4 kB, and 6 kB. The data FIFO and command memory share the same block of 6 kB SRAM. Therefore, ensure there is no overlap between the command memory and data FIFO.

The data FIFO can be configured in FIFO mode or stream mode via CMDDATACON, Bits[11:9]. In stream mode, when the FIFO is full, old data is discarded to make room for new data. In FIFO mode, when the FIFO is full, new data is discarded. Never let the FIFO overflow when in FIFO mode. All new data are then lost.

The data FIFO is always unidirectional. A selectable source in the AFE block writes data and the external microcontroller reads data from DATAFIFORD.

Select the data source for the data FIFO in DATAFIFOSRCSEL (FIFOCON, Bits[15:13]). The available options are as follows: ADC data, DFT result, sinc2 filter result, statistic block mean result, and statistic block variance result.

There are a number of interrupt flags associated with the data FIFO, including the following: empty, full, overflow, underflow, and threshold.

These interrupts are user readable using the INTCFLAGx registers (see the [Interrupts](#) section for more details). Each flag has an associated maskable interrupt.

The overflow and underflow flags only activate for one clock period.

The data FIFO is enabled by writing a 1 to FIFOCON, Bit 11. The data FIFO threshold value is set by writing to the DATAFIFOTHRES register. At any time, the host microcontroller can read the number of words in the data FIFO by reading FIFOCNTSTA, Bits[26:16].

Reading data from the data FIFO when empty returns 0x00000000. In addition, the underflow flag, FLAG27, in the INTCFLAGx register is asserted.

**SEQUENCER**

**Data FIFO Word Format**

The format of data FIFO words is shown in Figure 42. Each word in the data FIFO is 32 bits. The seven MSBs are the error correction code (ECC) required for functional safety applications. Bits[24:23] of the data FIFO word form the sequence ID and indicate which sequence, from SEQ0 to SEQ3, the result came from.

Bits[22:16] of the data FIFO word contain the channel ID and indicate the source for the data (see Table 93).

The 16 LSBs of the data FIFO word are the actual data (see Figure 42).

When the data source is the DFT result, the data is 18 bits wide and is in twos complement format. The format is shown in Figure 43. The channel ID is five bits wide, with 5'b11111 indicating the DFT results.

**Sequencer and the Sleep and Wake-Up Timer**

See the [Sleep and Wake-Up Timer](#) section for more information.

**Configuring the GPIOx Pin Mux**

Each of the eight GPIOx pins can be configured to trigger a sequence. The GPIOx pin must first be configured as an input in the GPOEN register. Then, the pin must be configured to the PINxCFG bits in the GPOCON register. Register EI0CON and EI1CON configure how to detect a GPIO event, either level triggered or edge triggered. After a GPIO event is detected, the cor-

responding sequence runs. Refer to the AD5940/AD5941\_SEQ-gpioTrigCfg function in the AD5940/AD5941 software development kit. The sequencer can also access the GPIO when running. This access synchronizes external devices, such as the ADXL362 or the AD8233. To perform this synchronization, the corresponding GPIOx functionality must be set to synchronize in the GP0CON register and the direction of data must be set to output in the GP0OEN register. The sequencer can then write to the SYNCEXTDEVICE register to toggle the corresponding GPIOx pin, which is a useful debugging feature when programming the sequencer.

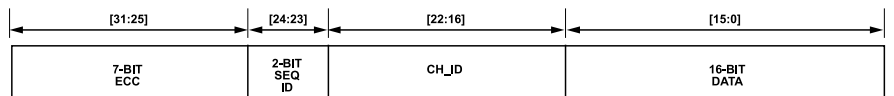
**Sequencer Conflicts**

If a conflict between sequences arises, for example, when SEQ0 is running and the SEQ1 request arrives, SEQ1 is ignored and SEQ0 completes. An interrupt is generated to indicate that the SEQ1 sequence is ignored.

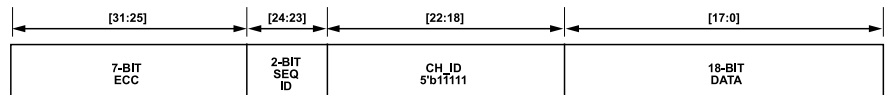
Reading back registers does not cause resource conflicts. Writes to the MMRs by the host controller are allowed when the sequencer is enabled. There can be some conflicts. If conflicts arise, the sequencer has the priority. If the sequencer and the host controller write at the same time, the host controller is ignored. There is no error report for this conflict. The user must not write to a register when the sequencer is running. However, there are exceptions, which can be written to freely without any conflict. The SEQCON register allows ending sequence execution (SEQEN bit) and halting a sequence (SEQHALT bit).

**Table 93. Channel ID Description**

Bits[22:16] of the Data FIFO Word	Description
11111 xx	DFT result
11110xx	Mean from statistics block
11101xx	Variance from statistics block
1xxxxxx	Sinc2 filter result, xxxxxx is the ADC multiplexer positive setting (ADCCON [5:0])
0xxxxxx	Sinc3 filter result, xxxxxx is the ADC multiplexer positive setting (ADCCON [5:0])



**Figure 42. Data FIFO Word Format**



**Figure 43. Data FIFO DFT Word Format**

## SEQUENCER

## SEQUENCER AND FIFO REGISTERS

Table 94. Sequence and FIFO Registers Summary

Address	Name	Description	Reset	Access
0x00002004	SEQCON	Sequencer configuration register	0x00000002	R/W
0x00002008	FIFOCON	FIFO configuration register	0x00001010	R/W
0x00002060	SEQCRC	Sequencer CRC value register	0x00000001	R
0x00002064	SEQCNT	Sequencer command count register	0x00000000	R/W
0x00002068	SEQTIMEOUT	Sequencer timeout counter register	0x00000000	R
0x0000206C	DATAFIFORD	Data FIFO read register	0x00000000	R
0x00002070	CMDFIFOWRITE	Command FIFO write register	0x00000000	W
0x00002118	SEQSLPLOCK	Sequencer sleep control lock register	0x00000000	R/W
0x0000211C	SEQTRGSLP	Sequencer trigger sleep register	0x00000000	R/W
0x000021CC	SEQ0INFO	Sequence 0 information register	0x00000000	R/W
0x000021D0	SEQ2INFO	Sequence 2 information register	0x00000000	R/W
0x000021D4	CMDFIFOWADDR	Command FIFO write address register	0x00000000	R/W
0x000021D8	CMDDATAON	Command data control register	0x00000410	R/W
0x000021E0	DATAFIFOTHRES	Data FIFO threshold register	0x00000000	R/W
0x000021E4	SEQ3INFO	Sequence 3 information register	0x00000000	R/W
0x000021E8	SEQ1INFO	Sequence 1 information register	0x00000000	R/W
0x00002200	FIFOCNTSTA	Command and data FIFO internal data count register	0x00000000	R
0x00002054	SYNCEXTDEVICE	Sync external devices register	0x00000000	R/W
0x00000430	TRIGSEQ	Trigger sequence register	0x0000	R/WS

## Sequencer Configuration Register—SEQCON

Address 0x00002004, Reset: 0x00000002, Name: SEQCON

Table 95. Bit Descriptions for SEQCON Register

Bits	Bit Name	Settings	Description	Reset	Access
[31:16]	Reserved		Reserved.	0x0	R
[15:8]	SEQWRTMR		Timer for sequencer write commands. These bits act as a clock divider affecting the write commands, but not the wait commands. This divider is useful to reduce the code size when generating arbitrary waveforms. The clock source for the timer is ACLK.	0x0	R/W
[7:5]	Reserved		Reserved.	0x0	R
4	SEQHALT	0 1	Halt sequence debugging feature. This bit provides a way to halt the AFE interface, including the sequencer, DSP hardware accelerators, FIFOs, and so on. 0 Normal execution. 1 Execution halted.	0x0	R/W
[3:2]	Reserved		Reserved	0x0	R
1	SEQHALTFIFOEMPTY	1 0	Halt sequencer, if empty. This bit controls whether the sequencer stops when attempting to read when the command FIFO is empty (in an underflow condition). 1 Sequencer stops if command FIFO is empty and sequencer attempts to read (in an underflow condition). 0 Sequencer continues to attempt to read, even if the FIFO is empty.	0x1	R/W
0	SEQEN	0 1	Enable sequencer. If this bit is set to 1, the sequencer reads from the command FIFO and executes the commands. 0 Sequencer disabled (default). 1 Sequencer enabled.	0x0	R/W

## SEQUENCER

**FIFO Configuration Register—FIFOCON**

Address 0x00002008, Reset: 0x00001010, Name: FIFOCON

**Table 96. Bit Descriptions for FIFOCON Register**

Bits	Bit Name	Settings	Description	Reset	Access
[31:16]	RESERVED		Reserved.	0x0	R
[15:13]	DATAFIFOSRCSEL	000, 001, 110, or 111 010 011 100 101	Selects the source for the data FIFO. ADC data. ADC data is output of gain/offset calibration through the sinc3 filter. DFT data. Real part is 18 bits and the imaginary part is 18 bits. The lowest two bits are fractional because the ADC is 16 bits. Sinc2 filter output. Data is 16 bits. Variance. Variance is 30-bit data, which uses two addresses. Mean result. Mean is 16 bits of data.	0x0	R/W
12	Reserved		Reserved.	0x1	R/W
11	DATAFIFOEN	0 1	Data FIFO enable. 0 FIFO is reset. No data transfers can take place. This setting sets the read and write pointers to the default values (empty FIFO). The status indicates that the FIFO is empty. 1 Normal operation. The FIFO is not reset.	0x0	R/W
[10:0]	Reserved		Reserved.	0x0	R/W

**Sequencer CRC Value Register—SEQCRC**

Address 0x00002060, Reset: 0x00000001, Name: SEQCRC

The SEQCRC register forms the checksum value calculated from all the commands executed by the sequencer.

**Table 97. Bit Descriptions for SEQCRC Register**

Bits	Bit Name	Settings	Description	Reset	Access
[31:8]	Reserved		Reserved.	0x0	R
[7:0]	CRC		Sequencer command CRC value. The algorithm used is CRC-8.	0x1	R

**Sequencer Timeout Counter Register—SEQTIMEOUT**

Address 0x00002068, Reset: 0x00000000, Name: SEQTIMEOUT

**Table 98. Bit Descriptions for SEQTIMEOUT Register**

Bits	Bit Name	Settings	Description	Reset	Access
[31:30]	Reserved		Reserved.	0x0	R
[29:0]	Timeout		Current value of the sequencer timeout counter.	0x0	R

**Data FIFO Read Register—DATAFIFORD**

Address: 0x0000206C, Reset: 0x00000000, Name: DATAFIFORD

**Table 99. Bit Descriptions for DATAFIFORD Register**

Bits	Bit Name	Settings	Description	Reset	Access
[31:0]	DATAFIFOOUT		Data FIFO read. If the data FIFO is empty, a read of this register returns 0x00000000. See <a href="#">Figure 42</a> and <a href="#">Figure 43</a> for 32-bit word format.	0x0	R

## SEQUENCER

**Command FIFO Write Register—CMDFIFOWRITE**

Address 0x00002070, Reset: 0x00000000, Name: CMDFIFOWRITE

*Table 100. Bit Descriptions for CMDFIFOWRITE Register*

Bits	Bit Name	Settings	Description	Reset	Access
[31:0]	CMDFIFOIN		Command FIFO write. If the command FIFO is written when full, the write is ignored and all current commands are not affected.	0x0	W

**Sequencer Sleep Control Lock Register—SEQSLPLOCK**

Address 0x00002118, Reset: 0x00000000, Name: SEQSLPLOCK

The SEQSLPLOCK register protects the SEQTRGSLP register.

*Table 101. Bit Descriptions for SEQSLPLOCK Register*

Bits	Bit Name	Settings	Description	Reset	Access
[31:20]	Reserved		Reserved.	0x0	R
[19:0]	SEQ_SLP_PW		Password for the SEQTRGSLP register. These bits prevent the sequencer from accidentally triggering a sleep state. 0x0000 Write any value other than 0xA47E5 to lock the SEQTRGSLP register. 0xA47E5 Write this value to this register to unlock the SEQTRGSLP register.	0x0	R/W

**Sequencer Trigger Sleep Register—SEQTRGSLP**

Address 0x0000211C, Reset: 0x00000000, Name: SEQTRGSLP

The SEQTRGSLP register is protected by the SEQSLPLOCK register.

*Table 102. Bit Descriptions for SEQTRGSLP Register*

Bits	Bit Name	Settings	Description	Reset	Access
[31:1]	Reserved		Reserved.	0x0	R
0	TRGSLP		Trigger sleep by sequencer. Write to the SEQSLPLOCK register first. Put this command at the end of a sequence. Set this command to 1 if entering sleep at the end of a sequence.	0x0	R/W

**Sequence 0 Information Register—SEQ0INFO**

Address 0x000021CC, Reset: 0x00000000, Name: SEQ0INFO

*Table 103. Bit Descriptions for SEQ0INFO Register*

Bits	Bit Name	Settings	Description	Reset	Access
[31:27]	Reserved		Reserved.	0x0	R
[26:16]	SEQ0INSTNUM		SEQ0 instruction number.	0x0	R/W
[15:11]	Reserved		Reserved.	0x0	R
[10:0]	SEQ0STARTADDR		SEQ0 start address.	0x0	R/W

**Sequence 2 Information Register—SEQ2INFO**

Address 0x000021D0, Reset: 0x00000000, Name: SEQ2INFO

*Table 104. Bit Descriptions for SEQ2INFO Register*

Bits	Bit Name	Settings	Description	Reset	Access
[31:27]	Reserved		Reserved.	0x0	R

## SEQUENCER

Table 104. Bit Descriptions for SEQ2INFO Register (Continued)

Bits	Bit Name	Settings	Description	Reset	Access
[26:16]	SEQ2INSTNUM		SEQ2 instruction number.	0x0	R/W
[15:11]	Reserved		Reserved.	0x0	R
[10:0]	SEQ2STARTADDR		SEQ2 start address.	0x0	R/W

## Command FIFO Write Address Register—CMDFIFOWADDR

Address 0x000021D4, Reset: 0x00000000, Name: CMDFIFOWADDR

Table 105. Bit Descriptions for CMDFIFOWADDR Register

Bits	Bit Name	Settings	Description	Reset	Access
[31:11]	Reserved		Reserved.	0x0	R
[10:0]	WADDR		Write address. These bits are the address in SRAM in which to store the command.	0x0	R/W

## Command Data Control Register—CMDDATACON

Address 0x000021D8, Reset: 0x00000410, Name: CMDDATACON

Table 106. Bit Descriptions for CMDDATACON Register

Bits	Bit Name	Settings	Description	Reset	Access
[31:12]	Reserved		Reserved.	0x0	R
[11:9]	DATAMEMMDE		Data FIFO mode select. 10 FIFO mode. 11 Stream mode.	0x2	R/W
[8:6]	DATA_MEM_SEL		Data FIFO size select. 000 Reserved. 001 2 kB SRAM. 010 4 kB SRAM. 011 6 kB SRAM.	0x0	R/W
[5:3]	CMDMEMMDE		Command FIFO mode. 01 Memory mode. 10 Reserved. 11 Reserved.	0x2	R/W
[2:0]	CMD_MEM_SEL		Command memory select. 0x0 Reserved. 0x1 2 kB SRAM. 0x2 4 kB SRAM. 0x3 6 kB SRAM.	0x0	R/W

## Data FIFO Threshold Register—DATAFIFOTHRES

Address 0x000021E0, Reset: 0x00000000, Name: DATAFIFOTHRES

Table 107. Bit Descriptions for DATAFIFOTHRES Register

Bits	Bit Name	Settings	Description	Reset	Access
[31:27]	Reserved		Reserved.	0x0	R
[26:16]	HIGHTHRES		High threshold.	0x0	R/W
[15:0]	Reserved		Reserved.	0x0	R

## SEQUENCER

**Sequence 3 Information Register—SEQ3INFO**

Address 0x000021E4, Reset: 0x00000000, Name: SEQ3INFO

*Table 108. Bit Descriptions for SEQ3INFO Register*

Bits	Bit Name	Settings	Description	Reset	Access
[31:27]	Reserved		Reserved.	0x0	R
[26:16]	INSTNUM		SEQ3 instruction number.	0x0	R/W
[15:11]	Reserved		Reserved.	0x0	R
[10:0]	STARTADDR		SEQ3 start address.	0x0	R/W

**Sequence 1 Information Register—SEQ1INFO**

Address 0x000021E8, Reset: 0x00000000, Name: SEQ1INFO

*Table 109. Bit Descriptions for SEQ1INFO Register*

Bits	Bit Name	Settings	Description	Reset	Access
[31:27]	Reserved		Reserved.	0x0	R
[26:16]	SEQ1INSTNUM		SEQ1 instruction number.	0x0	R/W
[15:11]	Reserved		Reserved.	0x0	R
[10:0]	SEQ1STARTADDR		SEQ1 start address.	0x0	R/W

**Command and Data FIFO Internal Data Count Register—FIFOCNTSTA**

Address 0x00002200, Reset: 0x00000000, Name: FIFOCNTSTA

*Table 110. Bit Descriptions for FIFOCNTSTA Register*

Bits	Bit Name	Settings	Description	Reset	Access
[31:27]	Reserved		Reserved.	0x0	R
[26:16]	DATAFIFOCNTSTA[10:0]		Current number of words in the data FIFO	0x0	R
[15:0]	Reserved		Reserved	0x0	R

**Sync External Devices Register—SYNCEXTDEVICE**

Address 0x00002054, Reset: 0x00000000, Name: SYNCEXTDEVICE

*Table 111. Bit Descriptions for SYNCEXTDEVICE Register*

Bits	Bit Name	Settings	Description	Reset	Access
[31:8]	Reserved		Reserved.	0x0	R
[7:0]	Sync		Output data of the GPIOx. Refer to the GPIOCON register for information on how the GPIOx is controlled. Writing 1 to the corresponding bit sets the corresponding GPIOx high. Writing 0 sets the corresponding GPIOx to 0.	0x0	R/W

**Trigger Sequence Register—TRIGSEQ**

Address 0x00000430, Reset: 0x0000, Name: TRIGSEQ

*Table 112. Bit Descriptions for TRIGSEQ Register*

Bits	Bit Name	Settings	Description	Reset	Access
[15:4]	Reserved		Reserved.	0x0	R
3	TRIG3		Trigger Sequence 3.	0x0	R/W

**SEQUENCER****Table 112. Bit Descriptions for TRIGSEQ Register (Continued)**

Bits	Bit Name	Settings	Description	Reset	Access
2	TRIG2		Trigger Sequence 2.	0x0	R/W
1	TRIG1		Trigger Sequence 1.	0x0	R/W
0	TRIG0		Trigger Sequence 0.	0x0	R/WS

**WAVEFORM GENERATOR**

The AD5940/AD5941 implements a digital waveform generator for generating sinusoid, trapezoid, and square waveforms. This section describes how to use the waveform generator.

**WAVEFORM GENERATOR FEATURES**

The waveform generator features sine wave, trapezoid, and square wave capabilities and can be used with the high speed DAC or the low power DAC.

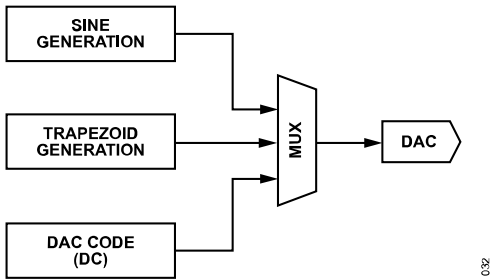


Figure 44. Simplified Waveform Generator Block Diagram

**WAVEFORM GENERATOR OPERATION**

To enable the waveform generator block, set the WAVEGENEN bit in the AFECON register to 1. When this bit is enabled, the selected waveform source starts and loops until either the block is disabled (WAVEGENEN = 0), or another source is selected. When the block is disabled, the DAC output maintains the voltage until a different waveform is selected by writing to the TYPESEL bit in the WGCON register, or if the waveform is reset.

**Sinusoid Generator**

The block diagram for the sinusoid generator is shown in Figure 45.

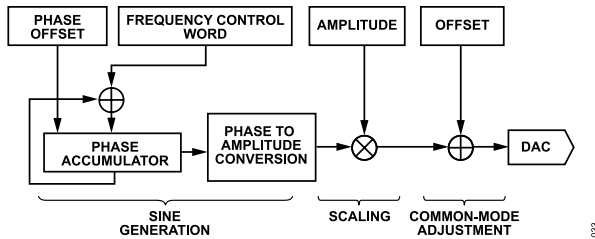


Figure 45. Sinusoid Generator

The output frequency ( $f_{OUT}$ ) is adjusted using the frequency control word (WGFCW, Bits[30:0]) with the following formula:

$$f_{OUT} = f_{ACLK} \times SINEFCW/2^{30} \tag{15}$$

where:

$f_{ACLK}$  is the frequency of ACLK, 16 MHz.

SINEFCW is Bits[23:0] in the WGFCW register.

The sinusoid generator includes a programmable phase offset controlled by the WGOFFSET register. When enabled, the phase accumulator is initialized with the contents of the phase offset register. After the sinusoid generator starts, the phase increment is always positive.

**Trapezoid Generator**

The definition of the trapezoid waveform is shown in Figure 46

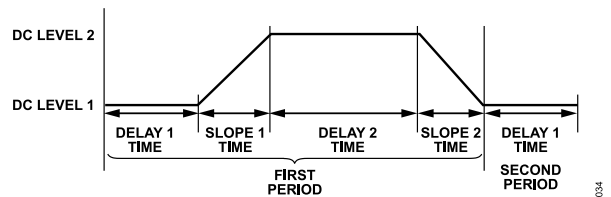


Figure 46. Trapezoid Waveform Definition

The six parameters shown in Figure 46 are user programmable through the WGDCLEVEL1, WGDCLEVEL2, WGDELAY1, WGDELAY2, WDSLOPE1, and WGSLOPE2 registers. These variables define the trapezoid waveform. By setting the WGSLOPEx register to 0x00000, a square wave is generated. The times are expressed in the number of periods of the DAC update clock, which is set to 320 kHz for the trapezoid function. A period of the trapezoid waveform begins at the start of WGDELAY1 and completes at the end of WGSLOPE2. The trapezoid continues to loop until it is disabled by the user.

**USING THE WAVEFORM GENERATOR WITH THE LOW POWER DAC**

Although the waveform generator is primarily designed for use with the high speed DAC, it can also be used with the low power DAC for ultra low power and low bandwidth applications. To configure the low power DAC for generating waveforms, set Bit 6 in the LPDACCON register to 1. Trapezoid or sinusoid can be selected as described previously. The 32 kHz oscillator must be selected as the system clock when using the waveform generator with the low power DAC, which limits the bandwidth of the signal.

**WAVEFORM GENERATOR REGISTERS**

Table 113. Waveform Generator for High Speed DAC Registers Summary

Address	Name	Description	Reset	Access
0x00002014	WGCON	Waveform generator configuration register.	0x00000030	R/W
0x00002018	WGDCLEVEL1	Waveform generator register, Trapezoid DC Level 1.	0x00000000	R/W
0x0000201C	WGDCLEVEL2	Waveform generator register, Trapezoid DC Level 2.	0x00000000	R/W
0x00002020	WGDELAY1	Waveform generator register, Trapezoid Delay 1 time.	0x00000000	R/W
0x00002024	WGSLOPE1	Waveform generator register, Trapezoid Slope 1 time.	0x00000000	R/W

## WAVEFORM GENERATOR

**Table 113. Waveform Generator for High Speed DAC Registers Summary (Continued)**

Address	Name	Description	Reset	Access
0x00002028	WGDELAY2	Waveform generator register, Trapezoid Delay 2 time.	0x00000000	R/W
0x0000202C	WGSLOPE2	Waveform generator register, Trapezoid Slope 2 time.	0x00000000	R/W
0x00002030	WGFCW	Waveform generator register, sinusoid frequency control word.	0x00000000	R/W
0x00002034	WGPHASE	Waveform generator register, sinusoid phase offset.	0x00000000	R/W
0x00002038	WGOFFSET	Waveform generator register, sinusoid offset.	0x00000000	R/W
0x0000203C	WGAMPLITUDE	Waveform generator register, sinusoid amplitude.	0x00000000	R/W

### Waveform Generator Configuration Register—WGCON

Address 0x00002014, Reset: 0x00000030, Name: WGCON

**Table 114. Bit Descriptions for WGCON Register**

Bits	Bit Name	Settings	Description	Reset	Access
[31:6]	Reserved		Reserved	0x0	R
5	DACGAINCAL		Bypass DAC gain. Use the DAC gain calculated during the Analog Devices factory trim and stored in the DACGAIN register. 0 Bypass DAC gain correction. 1 Perform DAC gain correction.	0x1	R/W
4	DACOFFSETCAL		Bypass DAC Offset. Use the DAC offset calculated during the calibration routine. 0 Bypass DAC offset correction. 1 Perform DAC offset correction. The offset value is in the DACOFFSET register and the DACOFFSETHS register for low power and high power mode, respectively, when LPDACCON0, Bit 0 = 0. The offset value is in the DACOFFSETATTEN register and the DACOFFSETATTENHS register for low power and high power mode, respectively, when LPDACCON0, Bit 0 = 1.	0x1	R/W
3	Reserved		Reserved.	0x0	R
[2:1]	TYPESEL		These bits select the type of waveform. 00 Direct write to the DAC. User code writes to the HSDACDAT register directly. 10 Sinusoid. Sets the WAVEGENEN bit in the AFECON register to 1. The DAC outputs a sine wave. 11 Trapezoid. Sets the WAVEGENEN bit in the AFECON register to 1. The DAC outputs a trapezoid wave.	0x0	R/W
0	TRAPRSTEN		Resets the trapezoid waveform generator. The output restarts from the beginning of the Delay 1 period, with an output corresponding to DC Level 1. The reset takes effect immediately. After the trapezoid generator is reset, the bit value returns to 0. 0 Disable reset of the trapezoid waveform generator. 1 Enable reset of the trapezoid waveform generator.	0x0	W

### Waveform Generator, Trapezoid DC Level 1 Register—WGDCLEVEL1

Address 0x00002018, Reset: 0x00000000, Name: WGDCLEVEL1

**Table 115. Bit Descriptions for WGDCLEVEL1 Register**

Bits	Bit Name	Settings	Description	Reset	Access
[31:12]	Reserved		Reserved.	0x0	R
[11:0]	TRAPDCLEVEL1		DC Level 1 value for trapezoid waveform generation.	0x0	R/W

## WAVEFORM GENERATOR

**Waveform Generator, Trapezoid DC Level 2 Register—WGDCLEVEL2**

Address 0x0000201C, Reset: 0x00000000, Name: WGDCLEVEL2

**Table 116. Bit Descriptions for WGDCLEVEL2 Register**

Bits	Bit Name	Settings	Description	Reset	Access
[31:12]	Reserved		Reserved.	0x0	R
[11:0]	TRAPDCLEVEL2		DC Level 2 value for trapezoid waveform generation.	0x0	R/W

**Sequencer Command Count Register—SEQCNT**

Address 0x00002064, Reset: 0x00000000, Name: SEQCNT

The SEQCNT register forms the command count, which is incremented by 1 each time the sequencer executes a command. This register is not key protected.

**Table 117. Bit Descriptions for SEQCNT Register**

Bits	Bit Name	Settings	Description	Reset	Access
[31:16]	Reserved		Reserved.	0x0	R
[15:0]	Count		Sequencer command count. This count is incremented by 1 each time the sequencer executes a command. Reset to 0 by writing 1 to this register. Write 1 to this register also to clear the SEQCRC register.	0x0	R/W1

**Waveform Generator, Trapezoid Delay 1 Time Register—WGDELAY1**

Address 0x00002020, Reset: 0x00000000, Name: WGDELAY1

**Table 118. Bit Descriptions for WGDELAY1 Register**

Bits	Bit Name	Settings	Description	Reset	Access
[31:20]	Reserved		Reserved.	0x0	R
[19:0]	DELAY1		Delay 1 value for trapezoid waveform generation. The unit of time is the DAC update rate.	0x0	R/W

**Waveform Generator, Trapezoid Slope 1 Time Register—WGSLOPE1**

Address 0x00002024, Reset: 0x00000000, Name: WGSLOPE1

**Table 119. Bit Descriptions for WGSLOPE1 Register**

Bits	Bit Name	Settings	Description	Reset	Access
[31:20]	Reserved		Reserved.	0x0	R
[19:0]	SLOPE1		Slope 1 value for trapezoid waveform generation. The unit of time is the DAC update rate. For trapezoid generation, the DAC update rate is fixed to 320 kHz.	0x0	R/W

**Waveform Generator, Trapezoid Delay 2 Time Register—WGDELAY2**

Address 0x00002028, Reset: 0x00000000, Name: WGDELAY2

**Table 120. Bit Descriptions for WGDELAY2 Register**

Bits	Bit Name	Settings	Description	Reset	Access
[31:20]	Reserved		Reserved.	0x0	R
[19:0]	DELAY2		Delay 2 value for trapezoid waveform generation. The unit of time is the DAC update rate. For trapezoid generation, the DAC update rate is fixed to 320 kHz.	0x0	R/W

## WAVEFORM GENERATOR

### Waveform Generator, Trapezoid Slope 2 Time Register—WGSLOPE2

Address 0x0000202C, Reset: 0x00000000, Name: WGSLOPE2

**Table 121. Bit Descriptions for WGSLOPE2 Register**

Bits	Bit Name	Settings	Description	Reset	Access
[31:20]	Reserved		Reserved.	0x0	R
[19:0]	SLOPE2		Slope 2 value for trapezoid waveform generation. The unit of time is the DAC update rate. For trapezoid generation, the DAC update rate is fixed to 320 kHz.	0x0	R/W

### Waveform Generator, Sinusoid Frequency Control Word Register—WGFCW

Address 0x00002030, Reset: 0x00000000, Name: WGFCW

**Table 122. Bit Descriptions for WGFCW Register**

Bits	Bit Name	Settings	Description	Reset	Access
[31:24]	Reserved		Reserved.	0x0	R
[23:0]	SINEFCW		Sinusoid generator frequency control word. These bits select the output frequency of the sinusoid waveform. The output frequency ( $f_{OUT}$ ) = $f_{ACLK} \times (\text{SINEFCW}/2^{30})$ . To obtain accurate DFT results and to avoid spectral leakage, $f_{OUT}/(\text{DFT input data rate}/N)$ must be an integer, where N is input data number of DFT. Refer to the DFTNUM bit in the DFTCON register (see Table 49). The DFT input data rate can be different due to different input data sources. Refer to the DFTINSEL bit in the DFTCON register (see Table 49). Sinc3 is output as input data of DFT (the DFT input data rate = ADC output data rate (1.6 MHz or 800 kHz)/SINC3_OS). Refer to the SINC3OSR bit in the ADCFILTERCON register (see Table 43). For the sinc3 bypass, refer to the SINC3BYP bit in the ADCFILTERCON register (see Table 43). If the DFT input data rate = 800 kHz, the ADC output data rate must be set to 800 kHz. Refer to the ADCSAMPLERATE bit in the ADCFILTERCON register = 1 (see Table 43). The general formula is $\text{ADC\_FS}/\text{SINC3\_OSR}/\text{SINC2\_OS}$ . Refer to the SINC2OSR bit in the ADCFILTERCON register (see Table 43). For more information, see the <a href="#">High Performance ADC Circuit</a> section.	0x0	R/W

### Waveform Generator, Sinusoid Phase Offset Register—WGPHASE

Address 0x00002034, Reset: 0x00000000, Name: WGPHASE

**Table 123. Bit Descriptions for WGPHASE Register**

Bits	Bit Name	Settings	Description	Reset	Access
[31:20]	Reserved		Reserved.	0x0	R
[19:0]	SINEOFFSET		Sinusoid phase offset. SINEOFFSET, Bits[19:0] = phase (degrees)/360 × 2 <sup>20</sup> . For example, to obtain a 45° phase offset, SINEOFFSET, Bits[19:0] = 45/360 × 2 <sup>20</sup> . This register must be set before setting the TYPESEL bit in the WGCON register and the WAVEGENEN bit in the AFECON register.	0x0	R/W

### Waveform Generator, Sinusoid Offset Register—WGOFFSET

Address 0x00002038, Reset: 0x00000000, Name: WGOFFSET

**Table 124. Bit Descriptions for WGOFFSET Register**

Bits	Bit Name	Settings	Description	Reset	Access
[31:12]	Reserved		Reserved.	0x0	R
[11:0]	SINEOFFSET		Sinusoid offset. This offset is added to the waveform generator output in sinusoid mode. This value is a signed number represented in twos complement format. This register must be set before setting the TYPESEL bit in the WGCON register and the WAVEGENEN bit in the AFECON register.	0x0	R/W

**WAVEFORM GENERATOR****Waveform Generator, Sinusoid Amplitude Register—WGAMPLITUDE**

Address 0x0000203C, Reset: 0x00000000, Name: WGAMPLITUDE

**Table 125. Bit Descriptions for WGAMPLITUDE Register**

Bits	Bit Name	Settings	Description	Reset	Access
[31:11]	Reserved		Reserved.	0x0	R
[10:0]	SINEAMPLITUDE		Sinusoid amplitude, unsigned number. This amplitude scales the waveform generator in sinusoid mode. The DAC output voltage is determined by this value, as well as the ATTENEN bit and the INAMPGNMDE bit in the HSDACCON register. This register must be set before setting the TYPESEL bit in the WGCON register and the WAVEGENEN bit in the AFECON register.	0x0	R/W

## SPI INTERFACE

### OVERVIEW

The AD5940/AD5941 provides an SPI interface to facilitate configuration and control by a host microcontroller. The host controller uses the SPI to read from and write to memory, registers, and FIFOs. The AD5940/AD5941 operate as a target SPI device.

### SPI PINS

The SPI connections between the host and the AD5940/AD5941 are  $\overline{CS}$ , SCLK, MOSI, and MISO.

### Chip Select Enable

The host must connect the SPI target enable signal to the  $\overline{CS}$  input of the AD5940/AD5941. To initiate an SPI transaction, the host drives the  $\overline{CS}$  signal low before the first SCLK rising edge and drives it high again after the last SCLK falling edge. The AD5940/AD5941 ignores the SCLK and MOSI signals of the SPI when the  $\overline{CS}$  input is high.

### SCLK

SCLK is the serial clock driven by the host to the AD5940/AD5941. The maximum SPI clock speed is 12.5MHz.

### MOSI and MISO

MOSI is the data input line driven from the host to the AD5940/AD5941, and MISO is the data output from the AD5940/AD5941 to the host. The MOSI signal and MISO signal are launched on the falling edge of the SCLK signal and sampled on the rising edge of the SCLK signal by the host and the AD5940/AD5941, respectively. The MOSI signal carries the data from the host to the AD5940/AD5941. The MISO signal carries the returning read data fields from the AD5940/AD5941 to the host during a read transaction.

### SPI OPERATION

The host is the initiator of the SPI. The features and requirements of SPI operation are as follows:

- ▶ SCLK is always slower than the system clock on the AD5940/AD5941, which is 16 MHz.
- ▶ When the  $\overline{CS}$  signal is brought low, a multiple of eight clock cycles must be generated by the host.
- ▶ Transfers over the SPI target are always byte aligned.
- ▶ In every octet, the most significant bit (Bit 7) is transmitted and received first.
- ▶ If the  $\overline{CS}$  signal is brought high at any time by the host, the AD5940/AD5941 is ready to accept new SPI transactions when the  $\overline{CS}$  signal is brought low again by the host. The minimum time between  $\overline{CS}$  going high and going low again is  $t_{10}$  (see Table 4).

### COMMAND BYTE

The first byte sent from the host to the AD5940/AD5941 in an SPI transaction is the command byte. The command byte specifies the SPI protocol used for the SPI transaction. The available commands are detailed in Table 126.

Table 126. SPI Commands

Command	Value	Description
SPICMD_SETADDR	0x20	Set register address for SPI transaction
SPICMD_READREG	0x6D	Specifies SPI transaction is a read transaction
SPICMD_WRITEREG	0x2D	Specifies SPI transaction is a write transaction
SPICMD_READFIFO	0x5F	Command to read FIFO

Two main SPI transaction protocols are available on the AD5940/AD5941: writing to and reading from registers and reading data from the data FIFO.

### WRITING TO AND READING FROM REGISTERS

Writing to and reading from a register requires two SPI transactions. The first transaction sets the register address. The second transaction is the actual read or write to the required register. The following are the steps to write to a register:

1. Write the command byte and configure the register address.
  - a. Drive  $\overline{CS}$  low.
  - b. Send 8-bit command byte: SPICMD\_SETADDR.
  - c. Send 16-bit address of register to read to or write from.
  - d. Pull  $\overline{CS}$  high.
2. Write the data to the register.
  - a. Drive  $\overline{CS}$  low.
  - b. Send 8-bit command byte: SPICMD\_WRITEREG.
  - c. Write either 16-bit or 32-bit data to the register.
  - d. Bring  $\overline{CS}$  high.
3. Read the data from the register.
  - a. Drive  $\overline{CS}$  low.
  - b. Send 8-bit command byte: SPICMD\_READREG.
  - c. Transmit a dummy byte on the SPI bus to initiate a read.
  - d. Read returning 16-bit or 32-bit data.
  - e. Bring  $\overline{CS}$  high.

### READING DATA FROM THE DATA FIFO

There are two methods to read back data from the data FIFO: read the DATAFIFORD register as described in the [Writing to and Reading from Registers](#) section, or implement a fast FIFO read protocol.

**SPI INTERFACE**

If there are less than three results in the data FIFO, the data can be read back from the DATAFIFORD register. However, if there are more than three results in the FIFO, a more efficient SPI transaction protocol is implemented. The following section describes this protocol and is illustrated in Figure 47.

**Read Data from Data FIFO**

To read data from the data FIFO, take the following steps:

1. Drive low.
2. Send an 8-bit command byte: SPICMD\_READFIFO.
3. Transmit six dummy bytes on the SPI bus before valid data can be read back.
4. Continuously read the DATAFIFORD register until only two results are left.

5. Read back the last two data points using a nonzero offset.
6. Pull  $\overline{CS}$  high.

The transaction protocol is shown in Figure 47. Six dummy reads are required before valid data is returned on the advanced peripheral bus (APB). The diagram also illustrates why the last two FIFO results are read back with a nonzero offset. In Figure 47, the APB reads Data C when the SPI bus is transferring Data B. Assuming APB Read B is the last data in the FIFO, the read offset (ROFFSETC) is set to a nonzero value. Then, the APB reads a different register than the DATAFIFORD register. If the APB continues to read the DATAFIFORD register, the data FIFO underflows, which causes an underflow error.

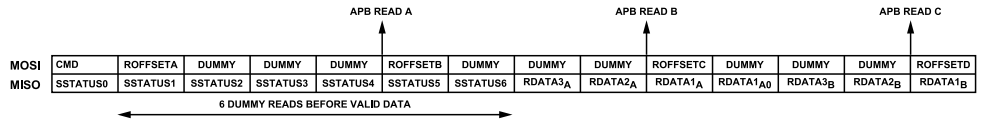


Figure 47. Data FIFO Read Protocol

## ECC FOR DATA FIFO

Data FIFO has an ECC block to make raw data robust.

**Table 127. 32-Bit Data Structure of Data FIFO**

7-bit ECC	Sequencer ID	Channel ID	Data bit
-----------	--------------	------------	----------

7-bit ECC is calculated for lower 25 bits of data FIFO word including sequencer ID, channel ID, and data bit. If the output is configured as ADC raw data, the data bit field in data FIFO word structure is 16-bit wide while if the output is configured as DFT source, the data

bit field in data FIFO word structure is 18-bit wide. After receiving 32 bits of data FIFO word, user can calculate ECC in software then compare the result with the high 7-bit ECC.

### ECC ALGORITHM

ECC consists of 7 parity bits, which is the parity of a marked bit, indicated by yes in [Table 128](#) and [Table 129](#).

**Table 128. Parity—Bit 24 to Bit 14**

Parity	Bit 24	Bit 23	Bit 22	Bit 21	Bit 20	Bit 19	Bit 18	Bit 17	Bit 16	Bit 15	Bit 14
ECC Bit 0	Yes		Yes			Yes					Yes
ECC Bit 1	Yes			Yes			Yes			Yes	Yes
ECC Bit 2		Yes	Yes	Yes	Yes	Yes	Yes	Yes	Yes		
ECC Bit 3	Yes								Yes	Yes	
ECC Bit 4		Yes	Yes	Yes	Yes					Yes	
ECC Bit 5					Yes	Yes	Yes	Yes	Yes		Yes
ECC Bit 6		Yes						Yes			

**Table 129. Parity—Bit 13 to Bit 0**

Parity	Bit 13	Bit 12	Bit 11	Bit 10	Bit 9	Bit 8	Bit 7	Bit 6	Bit 5	Bit 4	Bit 3	Bit 2	Bit 1	Bit 0
ECC Bit 0							Yes	Yes	Yes	Yes	Yes	Yes	Yes	Yes
ECC Bit 1	Yes	Yes	Yes	Yes	Yes	Yes	Yes			Yes				
ECC Bit 2			Yes								Yes			
ECC Bit 3	Yes			Yes				Yes				Yes		
ECC Bit 4		Yes			Yes		Yes		Yes			Yes	Yes	
ECC Bit 5	Yes	Yes				Yes		Yes	Yes					Yes
ECC Bit 6			Yes	Yes	Yes	Yes				Yes	Yes		Yes	Yes

## SLEEP AND WAKE-UP TIMER

### SLEEP AND WAKE-UP TIMER FEATURES

The AD5940/AD5941 integrates a 20-bit sleep and wake-up timer. The sleep and wake-up timer provides automated control of the sequencer and can run up to eight sequences sequentially in any order from SEQ0 to SEQ3. The timer is clocked from the internal 32 kHz oscillator clock source.

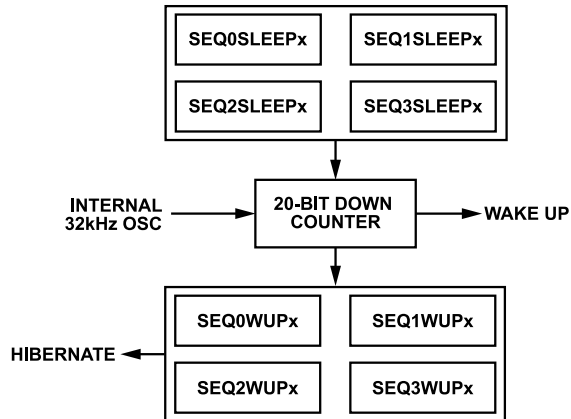


Figure 48. Sleep and Wake-Up Timer Block Diagram

### SLEEP AND WAKE-UP TIMER OVERVIEW

The sleep and wake-up timer block consists of a 20-bit timer that counts down. The source clock is the 32 kHz, internal, low frequency oscillator.

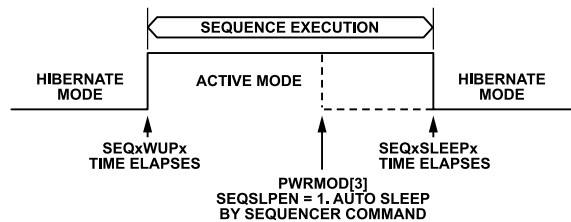


Figure 49. Sleep and Wake-Up Timing Diagram

When the timer elapses, the device wakes up and runs a sequence automatically. Up to eight sequences can run sequentially.

When the timer elapses, the device returns to sleep. If the timer elapses before the sequence completes execution, the remaining commands in the sequence are ignored. Therefore, the user code must ensure that the values in the SEQxSLEEPx registers are large enough to allow sequences to execute all commands.

It is recommended to use the wake-up timer to disable the timer sleep function (PWRMOD, Bit 2 = 0) and use the sequencer to enter hibernate mode. Set PWRMOD, Bit 3 = 1 to enable the sequencer to put the device in hibernate mode.

### CONFIGURING A DEFINED SEQUENCE ORDER

The sleep and wake-up timer provides a feature that allows a specific order of sequences to execute periodically. The order in which the sequences are executed is defined in the SEQORDER register. There are eight available slots in this register, from A to H. Each slot can be configured with any one of the four sequences. Figure 50 shows an example of this feature. There are three defined sequences executed, SEQ1, SEQ2, and SEQ3, as shown in Figure 50.

To configure the AD5940/AD5941 to implement this sequence order, implement the following register settings:

1. SEQORDER, Bit SEQA = 1 (SEQ1)
2. SEQORDER, Bit SEQB = 2 (SEQ2)
3. SEQORDER, Bit SEQC = 3 (SEQ3)
4. SEQORDER, Bit SEQD = 1 (SEQ1)
5. CON, Bit ENDSEQ = 3 (end on sequence D)



Figure 50. Sequence Order Diagram

### RECOMMENDED SLEEP AND WAKE-UP TIMER OPERATION

Analog Devices recommends the following procedure when using the sleep and wake-up timer to optimize performance and power consumption:

1. Disable the timer sleep function by setting PWRMOD, Bit 2 to 0. The sleep wake-up timer does not put the device into hibernate mode. Instead, place the device in sleep mode by writing to the SEQTRG register at the end of the sequence. This sleep mode optimizes power consumption.
2. Enable the timer wakeup function by setting TMRCON, Bit 0 to 1.
3. Enable the sequencer to trigger sleep by setting PWRMOD, Bit 3 to 1 and the SEQSLPLOCK register to 0xA47E5.
4. Set the final sequence in CON, Bits[3:1]. If only one sequence is used, select that sequence.
5. Write the sleep time and wake-up time to the SEQxSLEEPH, SEQxSLEEPL, SEQxWUPH, and SEQxWUPL registers.
6. Configure the order in which sequences are triggered by using the SEQORDER register.
7. Enable the timer by writing to CON, Bit 0 = 1.

When CON, Bit 0 = 1, the timer loads the values from the SEQxWUPH and SEQxWUPL registers and begins counting down. When the timer reaches zero, the device wakes up and executes sequences in the order specified in SEQORDER, Bits[1:0]. The timer loads the values from the SEQxSLEEPH and SEQxSLEEPL registers

## SLEEP AND WAKE-UP TIMER

and begins counting down again when the sequencer is running. When the timer elapses, the AD5940/AD5941 returns to sleep if TMRCON, Bit 0 = 1. If PWRMOD, Bit 3 = 1, the AD5940/AD5941 returns to sleep at the end of the last sequence.

The maximum hibernate time is 32 sec when using the internal 32 kHz oscillator.

To calculate the code for SEQxWUPx and SEQxSLEEPx registers, use the following equation:

$$\text{Code} = \text{ClkFreq} \times \text{Time}$$

(16)

where:

*Code* is the code value for the SEQxWUPx register.

*ClkFreq* is frequency of the internal oscillator in Hz.

*Time* is required timeout duration in seconds.

## SLEEP AND WAKE-UP TIMER REGISTERS

Table 130. Sleep and Wake-Up Timer Registers Summary

Address	Name	Description	Reset	Access
0x0000800	CON	Timer control register	0x0000	R/W
0x0000804	SEQORDER	Order control register	0x0000	R/W
0x0000808	SEQ0WUPL	Sequence 0 wake-up time register (LSB)	0xFFFF	R/W
0x000080C	SEQ0WUPH	Sequence 0 wake-up time register (MSB)	0x000F	R/W
0x0000810	SEQ0SLEEPL	Sequence 0 sleep time register (LSB)	0xFFFF	R/W
0x0000814	SEQ0SLEEPH	Sequence 0 sleep time register (MSB)	0x000F	R/W
0x0000818	SEQ1WUPL	Sequence 1 wake-up time register (LSB)	0xFFFF	R/W
0x000081C	SEQ1WUPH	Sequence 1 wake-up time register (MSB)	0x000F	R/W
0x0000820	SEQ1SLEEPL	Sequence 1 sleep time register (LSB)	0xFFFF	R/W
0x0000824	SEQ1SLEEPH	Sequence 1 sleep time register (MSB)	0x000F	R/W
0x0000828	SEQ2WUPL	Sequence 2 wake-up time register (LSB)	0xFFFF	R/W
0x000082C	SEQ2WUPH	Sequence 2 wake-up time register (MSB)	0x000F	R/W
0x0000830	SEQ2SLEEPL	Sequence 2 sleep time register (LSB)	0xFFFF	R/W
0x0000834	SEQ2SLEEPH	Sequence 2 sleep time register (MSB)	0x000F	R/W
0x0000838	SEQ3WUPL	Sequence 3 wake-up time register (LSB)	0xFFFF	R/W
0x000083C	SEQ3WUPH	Sequence 3 wake-up time register (MSB)	0x000F	R/W
0x0000840	SEQ3SLEEPL	Sequence 3 sleep time register (LSB)	0xFFFF	R/W
0x0000844	SEQ3SLEEPH	Sequence 3 sleep time register (MSB)	0x000F	R/W
0x0000A1C	TMRCON	Timer wake-up configuration register	0x0000	R/W

### Timer Control Register—CON

Address 0x0000800, Reset: 0x0000, Name: CON

The CON register is the wake-up timer control register.

Table 131. Bit Descriptions for CON Register

Bits	Bit Name	Settings	Description	Reset	Access
[15:7]	Reserved		Reserved.	0x0	R
6	MSKTRG		Mask sequence trigger from the sleep and wake-up timer. This bit masks the sequence trigger from the sleep and wake-up timer. After the trigger is masked, it does not go to the sequencer.	0x0	R/W
[5:4]	RESERVED		Reserved.	0x0	R
[3:1]	ENDSEQ		End sequence. These bits select one of the SEQORDER bits to end the timing sequence.	0x0	R/W
		0	The sleep and wake-up timer stops at Sequence A and then goes back to Sequence A.		
		1	The sleep and wake-up timer stops at Sequence B and then goes back to Sequence A.		
		10	The sleep and wake-up timer stops at Sequence C and then goes back to Sequence A.		
		11	The sleep and wake-up timer stops at Sequence D and then goes back to Sequence A.		
		100	The sleep and wake-up timer stops at Sequence E and then goes back to Sequence A.		
		101	The sleep and wake-up timer stops at Sequence F and then goes back to Sequence A.		

## SLEEP AND WAKE-UP TIMER

Table 131. Bit Descriptions for CON Register (Continued)

Bits	Bit Name	Settings	Description	Reset	Access
		110	The sleep and wake-up timer stops at Sequence G and then goes back to Sequence A.		
		111	The sleep and wake-up timer stops at Sequence H and then goes back to Sequence A.		
0	EN		Sleep and wake-up timer enable bit.	0x0	R/W
		0	Enables the sleep and wake-up timer.		
		1	Disables the sleep and wake-up timer.		

## Order Control Register—SEQORDER

Address 0x00000804, Reset: 0x0000, Name: SEQORDER

The SEQORDER register controls the command sequence execution order.

Table 132. Bit Descriptions for SEQORDER Register

Bits	Bit Name	Settings	Description	Reset	Access
[15:14]	SEQH		Sequence H configuration. These bits select SEQ0, SEQ1, SEQ2, or SEQ3 for Timer Sequence H.	0x0	R/W
		0	Fills in SEQ0.		
		1	Fills in SEQ1.		
		10	Fills in SEQ2.		
		11	Fills in SEQ3.		
[13:12]	SEQG		Sequence G configuration. These bits select SEQ0, SEQ1, SEQ2, or SEQ3 for Timer Sequence G.	0x0	R/W
		0	Fills in SEQ0.		
		1	Fills in SEQ1.		
		10	Fills in SEQ2.		
		11	Fills in SEQ3.		
[11:10]	SEQF		Sequence F configuration. These bits select SEQ0, SEQ1, SEQ2, or SEQ3 for Timer Sequence F.	0x0	R/W
		0	Fills in SEQ0.		
		1	Fills in SEQ1.		
		10	Fills in SEQ2.		
		11	Fills in SEQ3.		
[9:8]	SEQE		Sequence E configuration. These bits select SEQ0, SEQ1, SEQ2, or SEQ3 for Timer Sequence E.	0x0	R/W
		0	Fills in SEQ0.		
		1	Fills in SEQ1.		
		10	Fills in SEQ2.		
		11	Fills in SEQ3.		
[7:6]	SEQD		Sequence D configuration. These bits select SEQ0, SEQ1, SEQ2, or SEQ3 for Timer Sequence D.	0x0	R/W
		0	Fills in SEQ0.		
		1	Fills in SEQ1.		
		10	Fills in SEQ2.		
		11	Fills in SEQ3.		
[5:4]	SEQC		Sequence C configuration. These bits select SEQ0, SEQ1, SEQ2, or SEQ3 for Timer Sequence C.	0x0	R/W
		0	Fills in SEQ0.		
		1	Fills in SEQ1.		
		10	Fills in SEQ2.		
		11	Fills in SEQ3.		
[3:2]	SEQB		Sequence B configuration. These bits select SEQ0, SEQ1, SEQ2, or SEQ3 for Timer Sequence B.	0x0	R/W
		0	Fills in SEQ0.		
		1	Fills in SEQ1.		
		10	Fills in SEQ2.		
		11	Fills in SEQ3.		

## SLEEP AND WAKE-UP TIMER

**Table 132. Bit Descriptions for SEQORDER Register (Continued)**

Bits	Bit Name	Settings	Description	Reset	Access
[1:0]	SEQA		Sequence A configuration. These bits select SEQ0, SEQ1, SEQ2, or SEQ3 for Timer Sequence A.	0x0	R/W
		0	Fills in SEQ0.		
		1	Fills in SEQ1.		
		10	Fills in SEQ2.		
		11	Fills in SEQ3.		

### Sequence 0 to Sequence 3 Wake-Up Time Registers (LSB)—SEQxWUPL

Address 0x00000808, Reset: 0xFFFF, Name: SEQ0WUPL

Address 0x00000818, Reset: 0xFFFF, Name: SEQ1WUPL

Address 0x00000828, Reset: 0xFFFF, Name: SEQ2WUPL

Address 0x00000838, Reset: 0xFFFF, Name: SEQ3WUPL

These registers sets the sequence sleep time. The counter is 20 bits. These registers set the 16 LSBs. When this timer elapses, the device wakes up.

**Table 133. Bit Descriptions for SEQxWUPL Registers**

Bits	Bit Name	Settings	Description	Reset	Access
[15:0]	WAKEUPTIME0[15:0]		Sequence and sleep period. This register defines the length of time in which the device stays in sleep mode. When this time elapses, the device wakes up.	0xFFFF	R/W

### Sequence 0 to Sequence 3 Wake-Up Time Registers (MSB)—SEQxWUPH

Address 0x0000080C, Reset: 0x000F, Name: SEQ0WUPH

Address 0x0000081C, Reset: 0x000F, Name: SEQ1WUPH

Address 0x0000082C, Reset: 0x000F, Name: SEQ2WUPH

Address 0x0000083C, Reset: 0x000F, Name: SEQ3WUPH

These registers sets the sequence sleep time. The counter is 20 bits. These registers set the 4 MSBs. When this timer elapses, the device wakes up.

**Table 134. Bit Descriptions for SEQxWUPH Registers**

Bits	Bit Name	Settings	Description	Reset	Access
[15:4]	Reserved		Reserved.	0x0	R
[3:0]	WAKEUPTIME0[19:16]		Sequence and sleep period. This register defines the length of time in which the device stays in sleep mode. When this time elapses, the device wakes up.	0xF	R/W

### Sequence 0 to Sequence 3 Sleep Time Registers (LSB)—SEQxSLEEPL

Address 0x00000810, Reset: 0xFFFF, Name: SEQ0SLEEPL

Address 0x00000820, Reset: 0xFFFF, Name: SEQ1SLEEPL

Address 0x00000830, Reset: 0xFFFF, Name: SEQ2SLEEPL

Address 0x00000840, Reset: 0xFFFF, Name: SEQ3SLEEPL

The SEQxSLEEPL registers define the device active time for SEQ0 to SEQ3. The counter is 20 bits. These registers set the 16 LSBs.

## SLEEP AND WAKE-UP TIMER

**Table 135. Bit Descriptions for SEQxSLEEPL Registers**

Bits	Bit Name	Settings	Description	Reset	Access
[15:0]	SLEEPTIME0[15:0]		Sequence and active period. This register defines the length of time in which the device stays in active mode. When this time elapses, the device returns to sleep.	0xFFFF	R/W

### Sequence 0 to Sequence 3 Sleep Time Registers (MSB)—SEQxSLEEPH

Address 0x00000814, Reset: 0x000F, Name: SEQ0SLEEPH

Address 0x00000824, Reset: 0x000F, Name: SEQ1SLEEPH

Address 0x00000834, Reset: 0x000F, Name: SEQ2SLEEPH

Address 0x00000844, Reset: 0x000F, Name: SEQ3SLEEPH

The SEQxSLEEPH registers define the device active time for SEQ0 to SEQ3. The counter is 20 bits. These registers set the four MSBs.

**Table 136. Bit Descriptions for SEQxSLEEPH Registers**

Bits	Bit Name	Settings	Description	Reset	Access
[15:4]	Reserved		Reserved.	0x0	R
[3:0]	SLEEPTIME0[19:16]		Sequence and active period. This register defines the length of time in which the device stays in active mode. When this time elapses, the device returns to sleep.	0xF	R/W

### Timer Wake-Up Configuration Register—TMRCON

Address 0x00000A1C, Reset: 0x0000, Name: TMRCON

**Table 137. Bit Descriptions for TMRCON Register**

Bits	Bit Name	Settings	Description	Reset	Access
[15:1]	Reserved		Reserved.	0x0	R
0	TMRINTEN	0 1	Wake-up timer enable. Set this bit before entering hibernate mode to enable the ability of the sleep and wake-up timer to wake up the chip. Wake-up timer disabled. Wake-up timer enabled.	0x0	R/W

## INTERRUPTS

There are a number of interrupt options available on the AD5940/AD5941. These interrupts can be configured to toggle a GPIOx pin in response to an interrupt event.

### INTERRUPT CONTROLLER INTERRUPTS

The interrupt controller is divided into two blocks. Each block consists of an INTCSELx register and an INTCFLAGx register. The INTCPOL and INTCCLR registers are common to both blocks. After an interrupt is enabled in the INTCSELx register, the corresponding bit in the INTCFLAGx register is set. The available interrupt sources are shown in [Table 138](#). The INTCFLAGx interrupts can be configured to toggle a GPIOx pin in response to an interrupt event.

### CONFIGURING THE INTERRUPTS

Before configuring the interrupt sources, the GPIOx pin must be configured as the interrupt output. GPIO0, GPIO3, and GPIO6 can be configured for the INT0 output. GPIO4 and GPIO7 can be configured for the INT1 output. Refer to the [Digital Port Multiplex](#) section for more details. The user can program the polarity of the interrupt (rising or falling edge) in the INTCPOL register. When an interrupt is triggered, the selected GPIOx pin toggles to alert the host microcontroller that an interrupt event has occurred. To clear an interrupt source, write to the corresponding bit in the INTCCLR register.

### CUSTOM INTERRUPTS

Four custom interrupt sources are selectable by the user in INTCSELx, Bits[12:9]). These custom interrupts can generate an

interrupt event by writing to the corresponding bit in the AFEGE-NINTSTA register. It is only possible to write to this register via the sequencer. Writing to the AFEGENINTSTA register when using the SPI has no effect.

### EXTERNAL INTERRUPT CONFIGURATION

Eight external interrupts are implemented on the AD5940/AD5941. These external interrupts can be configured to detect any combination of the following types of events:

- ▶ Rising edge. The logic detects a transition from low to high and generates a pulse.
- ▶ Falling edge. The logic detects a transition from high to low and generates a pulse.
- ▶ Rising or falling edge. The logic detects a transition from low to high or high to low and generates a pulse.
- ▶ High level. The logic detects a high level. The interrupt line is held asserted until the external source deasserts.
- ▶ Low level. The logic detects a low level. The interrupt line is held asserted until the external source deasserts.

The external interrupt detection unit block allows an external event to wake up the AD5940/AD5941 when it is in hibernate mode.

**Table 138. Interrupt Sources Summary**

INTCFLAGx Register Flag Name	Interrupt Source Description
FLAG0	ADC result IRQ status.
FLAG1	DFT result IRQ status.
FLAG2	Sinc2 filter result ready IRQ status.
FLAG3	Temperature result IRQ status.
FLAG4	ADC minimum fail IRQ status.
FLAG5	ADC maximum fail IRQ status.
FLAG6	ADC delta fail IRQ status.
FLAG7	Mean IRQ status.
FLAG8	Variance IRQ status.
FLAG13	Bootload done IRQ status.
FLAG15	End of sequence IRQ status.
FLAG16	Sequencer timeout finished IRQ status. See the <a href="#">Timer Command</a> section.
FLAG17	Sequencer timeout command error IRQ status. See the <a href="#">Timer Command</a> section.
FLAG23	Data FIFO full IRQ status.
FLAG24	Data FIFO empty IRQ status.
FLAG25	Data FIFO threshold IRQ status. Threshold value set in DATAFIFOTHRES register.
FLAG26	Data FIFO overflow IRQ status.
FLAG27	Data FIFO underflow IRQ status.
FLAG29	Outlier IRQ status. Detects when an outlier is detected.
FLAG31	Attempt to break IRQ status. This interrupt is set if a Sequence B request occurs when Sequence A is running. This interrupt indicates that Sequence B is ignored.

## INTERRUPTS

## INTERRUPT REGISTERS

Table 139. Interrupt Registers Summary

Address	Name	Description	Reset	Access
0x00003000	INTCPOL	Interrupt polarity register	0x00000000	R/W
0x00003004	INTCCLR	Interrupt clear register	0x00000000	W
0x00003008	INTCSEL0	Interrupt controller select register (INT0)	0x00002000	R/W
0x0000300C	INTCSEL1	Interrupt controller select register (INT1)	0x00002000	R/W
0x00003010	INTCFLAG0	Interrupt controller flag register (INT0)	0x00000000	R
0x00003014	INTCFLAG1	Interrupt controller flag register (INT1)	0x00000000	R
0x0000209C	AFEGENINTSTA	Analog generation interrupt	0x00000010	R/W1C

## Interrupt Polarity Register—INTCPOL

Address 0x00003000, Reset: 0x00000000, Name: INTCPOL

Table 140. Bit Descriptions for INTCPOL Register

Bits	Bit Name	Settings	Description	Reset	Access
[31:1]	Reserved		Reserved.	0x0	R
0	INTPOL		Interrupt polarity. 0 Output negative edge interrupt. 1 Output positive edge interrupt.	0x0	R/W

## Interrupt Clear Register—INTCCLR

Address 0x00003004, Reset: 0x00000000, Name: INTCCLR

Table 141. Bit Descriptions for INTCCLR Register

Bits	Bit Name	Settings	Description	Reset	Access
31	INTCLR31		Attempt to break interrupt (IRQ). Write 1 to clear.	0x0	W
30	Reserved		Reserved.	0x0	W
29	INTCLR29		Outlier IRQ. Write 1 to clear.	0x0	W
28	Reserved		Reserved.	0x0	W
27	INTCLR27		Data FIFO underflow IRQ. Write 1 to clear.	0x0	W
26	INTCLR26		Data FIFO overflow IRQ. Write 1 to clear.	0x0	W
25	INTCLR25		Data FIFO threshold IRQ. Write 1 to clear.	0x0	W
24	INTCLR24		Data FIFO empty IRQ. Write 1 to clear.	0x0	W
23	INTCLR23		Data FIFO full IRQ. Write 1 to clear.	0x0	W
22	Reserved		Reserved.	0x0	W
17	INTCLR17		Sequencer timeout error IRQ. Write 1 to clear.	0x0	W
16	INTCLR16		Sequencer timeout finished IRQ. Write 1 to clear.	0x0	W
15	INTCLR15		End of sequence IRQ. Write 1 to clear.	0x0	W
14	Reserved		Reserved.	0x0	W
13	INTCLR13		Boot load done IRQ. Write 1 to clear.	0x0	W
12	INTCLR12		Custom Interrupt 3 (IRQ3). Write 1 to clear.	Not applicable	Not applicable
11	INTCLR11		Custom Interrupt 2 (INR). Write 1 to clear.	Not applicable	Not applicable
10	INTCLR10		Custom Interrupt 1. Write 1 to clear.	Not applicable	Not applicable
9	INTCLR9		Custom Interrupt 0. Write 1 to clear.	Not applicable	Not applicable
8	INTCLR8		Variance IRQ. Write 1 to clear.	0x0	W
7	INTCLR7		Mean IRQ. Write 1 to clear.	0x0	W

## INTERRUPTS

Table 141. Bit Descriptions for INTCLR Register (Continued)

Bits	Bit Name	Settings	Description	Reset	Access
6	INTCLR6		ADC delta fail IRQ. Write 1 to clear.	0x0	W
5	INTCLR5		ADC maximum fail IRQ. Write 1 to clear.	0x0	W
4	INTCLR4		ADC minimum fail IRQ. Write 1 to clear.	0x0	W
3	INTCLR3		Temperature result IRQ. Write 1 to clear.	0x0	W
2	INTCLR2		Sinc2 filter result ready IRQ. Write 1 to clear.	0x0	W
1	INTCLR1		DFT result IRQ. Write 1 to clear.	0x0	W
0	INTCLR0		ADC result IRQ. Write 1 to clear.	0x0	W

## Interrupt Controller Select Registers—INTCSEL0 and INTCSEL1

Address 0x00003008, Reset: 0x00002000, Name: INTCSEL0

Address 0x0000300C, Reset: 0x00002000, Name: INTCSEL1

Table 142. Bit Descriptions for INTCSEL0 and INTCSEL1 Registers

Bits	Bit Name	Settings	Description	Reset	Access
31	INTSEL31		Attempt to break IRQ enable. 0 Interrupt disabled. 1 Interrupt enabled.	0x0	R/W
30	Reserved		Reserved.	0x0	R/W
29	INTSEL29		Outlier IRQ enable. 0 Interrupt disabled. 1 Interrupt enabled.	0x0	R/W
28	Reserved		Reserved.	0x0	R/W
27	INTSEL27		Data FIFO underflow IRQ enable. 0 Interrupt disabled. 1 Interrupt enabled.	0x0	R/W
26	INTSEL26		Data FIFO overflow IRQ enable. 0 Interrupt disabled. 1 Interrupt enabled.	0x0	R/W
25	INTSEL25		Data FIFO threshold IRQ enable. 0 Interrupt disabled. 1 Interrupt enabled.	0x0	R/W
24	INTSEL24		Data FIFO empty IRQ enable. 0 Interrupt disabled. 1 Interrupt enabled.	0x0	R/W
23	INTSEL23		Data FIFO full IRQ enable. 0 Interrupt disabled. 1 Interrupt enabled.	0x0	R/W
[22:18]	Reserved		Reserved.	0x0	R/W
17	INTSEL17		Sequencer timeout error IRQ enable. 0 Interrupt disabled. 1 Interrupt enabled.	0x0	R/W
16	INTSEL16		Sequencer timeout finished IRQ enable. 0 Interrupt disabled. 1 Interrupt enabled.	0x0	R/W

## INTERRUPTS

Table 142. Bit Descriptions for INTSEL0 and INTSEL1 Registers (Continued)

Bits	Bit Name	Settings	Description	Reset	Access
15	INTSEL15		End of sequence IRQ enable. 0 Interrupt disabled. 1 Interrupt enabled.	0x0	R/W
14	Reserved		Reserved.	0x0	R/W
13	INTSEL13		Bootloader done IRQ enable. 0 Interrupt disabled. 1 Interrupt enabled.	0x1	R/W
12	INTSEL12		Custom IRQ3 enable. 0 Interrupt disabled. 1 Interrupt enabled.	0x0	R/W
11	INTSEL11		Custom IRQ 2 enable. 0 Interrupt disabled. 1 Interrupt enabled.	0x0	R/W
10	INTSEL10		Custom IRQ 1 enable. 0 Interrupt disabled. 1 Interrupt enabled.	0x0	R/W
9	INTSEL9		Custom IRQ 0 enable. 0 Interrupt disabled. 1 Interrupt enabled.	0x0	R/W
8	INTSEL8		Variance IRQ enable. 0 Interrupt disabled. 1 Interrupt enabled.	0x0	R/W
7	INTSEL7		Mean IRQ enable. 0 Interrupt disabled. 1 Interrupt enabled.	0x0	R/W
6	INTSEL6		ADC delta fail IRQ enable. 0 Interrupt disabled. 1 Interrupt enabled.	0x0	R/W
5	INTSEL5		ADC maximum fail IRQ enable. 0 Interrupt disabled. 1 Interrupt enabled.	0x0	R/W
4	INTSEL4		ADC minimum fail IRQ enable. 0 Interrupt disabled. 1 Interrupt enabled.	0x0	R/W
3	INTSEL3		Temperature result IRQ enable. 0 Interrupt disabled. 1 Interrupt enabled.	0x0	R/W
2	INTSEL2		Sinc2 filter result ready IRQ enable. 0 Interrupt disabled. 1 Interrupt enabled.	0x0	R/W
1	INTSEL1		DFT result IRQ enable. 0 Interrupt disabled. 1 Interrupt enabled.	0x0	R/W
0	INTSEL0		ADC result IRQ enable. 0 Interrupt disabled. 1 Interrupt enabled.	0x0	R/W

**INTERRUPTS****Interrupt Controller Flag Registers—INTCFLAG0 and INTCFLAG1**

Address 0x00003010, Reset: 0x00000000, Name: INTCFLAG0

Address 0x00003014, Reset: 0x00000000, Name: INTCFLAG1

**Table 143. Bit Descriptions for INTCFLAG0 and INTCFLAG1 Registers**

Bits	Bit Name	Settings	Description	Reset	Access
31	FLAG31		Attempt to break IRQ status. This bit is set if a Sequence B request arrives when Sequence A is running, indicating that Sequence B is ignored. 0 Interrupt not asserted. 1 Interrupt asserted.	0x0	R
30	Reserved		Reserved.	0x0	R
29	FLAG29		Outlier IRQ status. 0 Interrupt not asserted. 1 Interrupt asserted.	0x0	R
28	Reserved		Reserved.	0x0	R
27	FLAG27		Data FIFO underflow IRQ status. 0 Interrupt not asserted. 1 Interrupt asserted.	0x0	R
26	FLAG26		Data FIFO overflow IRQ status. 0 Interrupt not asserted. 1 Interrupt asserted.	0x0	R
25	FLAG25		Data FIFO threshold IRQ status. 0 Interrupt not asserted. 1 Interrupt asserted.	0x0	R
24	FLAG24		Data FIFO empty IRQ status. 0 Interrupt not asserted. 1 Interrupt asserted.	0x0	R
23	FLAG23		Data FIFO full IRQ status. 0 Interrupt not asserted. 1 Interrupt asserted.	0x0	R
[22:18]	Reserved		Reserved.	0x0	R
17	FLAG17		Sequencer timeout error IRQ status. 0 Interrupt not asserted. 1 Interrupt asserted.	0x0	R
16	FLAG16		Sequencer timeout finished IRQ status. 0 Interrupt not asserted. 1 Interrupt asserted.	0x0	R
15	FLAG15		End of sequence IRQ status. 0 Interrupt not asserted. 1 Interrupt asserted.	0x0	R
14	Reserved		Reserved.	0x0	R
13	FLAG13		Bootload done IRQ status. 0 Interrupt not asserted. 1 Interrupt asserted.	0x0	R
12	FLAG12		Custom Interrupt 3 status. 0 Interrupt not asserted. 1 Interrupt asserted.	0x0	R

## INTERRUPTS

Table 143. Bit Descriptions for INTFLAG0 and INTFLAG1 Registers (Continued)

Bits	Bit Name	Settings	Description	Reset	Access
11	FLAG11	0 1	Custom Interrupt 2 status. Interrupt not asserted. Interrupt asserted.	0x0	R
10	FLAG10	0 1	Custom Interrupt 1 status. Interrupt not asserted. Interrupt asserted.	0x0	R
9	FLAG9	0 1	Custom Interrupt 0 status. Interrupt not asserted. Interrupt asserted.	0x0	R
8	FLAG8	0 1	Variance IRQ status. Interrupt not asserted. Interrupt asserted.	0x0	R
7	FLAG7	0 1	Mean IRQ status. Interrupt not asserted. Interrupt asserted.	0x0	R
6	FLAG6	0 1	ADC delta fail IRQ status. When this bit is set, it is indicated that the difference between two consecutive ADC results is greater than the value specified by the ADCDELTA register. If this bit is clear, it is indicated that no difference between two consecutive ADC values greater than the limit is detected since the last time this bit was cleared. Interrupt not asserted. Interrupt asserted.	0x0	R
5	FLAG5	0 1	ADC maximum fail IRQ status. When this bit is set, it is indicated that an ADC result is above the maximum value specified by the ADCMAX register. If this bit is clear, it is indicated that no ADC value above the maximum is detected. Interrupt not asserted. Interrupt asserted.	0x0	R
4	FLAG4	0 1	ADC minimum fail IRQ status. When this bit is set, it is indicated that an ADC result is below the minimum value as specified by the ADCMIN register. If this bit is clear, it is indicated that no ADC value below the limit is detected since the last time this bit was cleared. Interrupt not asserted. Interrupt asserted.	0x0	R
3	FLAG3	0 1	Temperature result IRQ status. Interrupt not asserted. Interrupt asserted.	0x0	R
2	FLAG2	0 1	Sinc2 filter result ready IRQ status. Interrupt not asserted. Interrupt asserted.	0x0	R
1	FLAG1	0 1	DFT result IRQ status. Interrupt not asserted. Interrupt asserted.	0x0	R
0	FLAG0	0 1	ADC result IRQ status. Interrupt not asserted. Interrupt asserted.	0x0	R

## INTERRUPTS

**Analog Generation Interrupt Register—AFEGENINTSTA**

Address 0x0000209C, Reset: 0x00000010, Name: AFEGENINTSTA

The AFEGENINTSTA register provides custom interrupt generation. Writing to this register is only possible using the sequencer. Writing to this register using the SPI has no effect. Reading this register using the SPI does not return meaningful data.

**Table 144. Bit Descriptions for AFEGENINTSTA Register**

Bits	Bit Name	Settings	Description	Reset	Access
[31:4]	Reserved		Reserved.	0x1	R
3	CUSTOMINT3		General-Purpose Custom Interrupt 3. Set this bit manually using the sequencer program. Write 1 to this bit to trigger an interrupt.	0x0	R/W1C
2	CUSTOMINT2		General-Purpose Custom Interrupt 2. Set this bit manually using the sequencer program. Write 1 to this bit to trigger an interrupt.	0x0	R/W1C
1	CUSTOMINT1		General-Purpose Custom Interrupt 1. Set this bit manually using the sequencer program. Write 1 to this bit to trigger an interrupt.	0x0	R/W1C
0	CUSTOMINT0		General-Purpose Custom Interrupt 0. Set this bit manually using the sequencer program. Write 1 to this bit to trigger an interrupt.	0x0	R/W1C

**EXTERNAL INTERRUPT CONFIGURATION REGISTERS**

**Table 145. External Interrupt Registers Summary**

Address	Name	Description	Reset	Access
0x00000A20	EI0CON	External Interrupt Configuration 0 register	0x0000	R/W
0x00000A24	EI1CON	External Interrupt Configuration 1 register	0x0000	R/W
0x00000A28	EI2CON	External Interrupt Configuration 2 register	0x0000	R/W
0x00000A30	EICLR	External interrupt clear register	0xC000	R/W

**External Interrupt Configuration 0 Register—EI0CON**

Address 0x00000A20, Reset: 0x0000, Name: EI0CON

**Table 146. Bit Descriptions for EI0CON Register**

Bits	Bit Name	Settings	Description	Reset	Access
15	IRQ3EN		External Interrupt 3 enable bit. Set this bit before placing the device in hibernate mode to enable the ability of GPIO3 to wake up the device. 0 External Interrupt 3 disabled. 1 External Interrupt 3 enabled.	0x0	R/W
[14:12]	IRQ3MDE		External Interrupt 3 mode bits. 000 Rising edge. 001 Falling edge. 010 Rising or falling edge. 011 High level. 100 Low level. 101 Falling edge (same as 001). 110 Rising or falling edge (same as 010). 111 High level (same as 011).	0x0	R/W
11	IRQ2EN		External Interrupt 2 enable bit. Set this bit before placing the device in hibernate mode to enable the ability of GPIO2 to wake up the device. 0 External Interrupt 2 disabled. 1 External Interrupt 2 enabled.	0x0	R/W

## INTERRUPTS

Table 146. Bit Descriptions for EI0CON Register (Continued)

Bits	Bit Name	Settings	Description	Reset	Access
[10:8]	IRQ2MDE	000 Rising edge. 001 Falling edge. 010 Rising or falling edge. 011 High level. 100 Low level. 101 Falling edge (same as 001). 110 Rising or falling edge (same as 010). 111 High level (same as 011).	External Interrupt 2 mode bits.	0x0	R/W
7	IRQ1EN	0 External Interrupt 1 disabled. 1 External Interrupt 1 enabled.	External Interrupt 1 enable bit. Set this bit before placing the device in hibernate mode to enable the ability of GPIO1 to wake up the device.	0x0	R/W
[6:4]	IRQ1MDE	000 Rising edge. 001 Falling edge. 010 Rising or falling edge. 011 High level. 100 Low level. 101 Falling edge (same as 001). 110 Rising or falling edge (same as 010). 111 High level (same as 011).	External Interrupt 1 mode bits.	0x0	R/W
3	IRQ0EN	0 External Interrupt 0 disabled. 1 External Interrupt 0 enabled.	External Interrupt 0 enable bit. Set this bit before placing the device in hibernate mode to enable the ability of GPIO0 to wake up the device.	0x0	R/W
[2:0]	IRQ0MDE	000 Rising edge. 001 Falling edge. 010 Rising or falling edge. 011 High level. 100 Low level. 101 Falling edge (same as 001). 110 Rising or falling edge (same as 010). 111 High level (same as 011).	External Interrupt 0 mode bits.	0x0	R/W

## External Interrupt Configuration 1 Register—EI1CON

Address 0x00000A24, Reset: 0x0000, Name: EI1CON

Table 147. Bit Descriptions for EI1CON Register

Bits	Bit Name	Settings	Description	Reset	Access
15	IRQ7EN	0 External Interrupt 7 disabled. 1 External Interrupt 7 enabled.	External Interrupt 7 enable bit. Set this bit before placing the device in hibernate mode to enable the ability of GPIO7 to wake up the device.	0x0	R/W
[14:12]	IRQ7MDE	000 Rising edge. 001 Falling edge.	External Interrupt 7 mode bits.	0x0	R/W

## INTERRUPTS

Table 147. Bit Descriptions for EI1CON Register (Continued)

Bits	Bit Name	Settings	Description	Reset	Access
		010	Rising or falling edge.		
		011	High level.		
		100	Low level.		
		101	Falling edge (same as 001).		
		110	Rising or falling edge (same as 010).		
		111	High level (same as 011).		
11	IRQ6EN		External Interrupt 6 enable bit. Set this bit before placing the device in hibernate mode to enable the ability of GPIO6 to wake up the device.	0x0	R/W
		0	External Interrupt 6 disabled.		
		1	External Interrupt 6 enabled.		
[10:8]	IRQ6MDE		External Interrupt 6 mode bits.	0x0	R/W
		000	Rising edge.		
		001	Falling edge.		
		010	Rising or falling edge.		
		011	High level.		
		100	Low level.		
		101	Falling edge (same as 001).		
		110	Rising or falling edge (same as 010).		
		111	High level (same as 011).		
7	IRQ5EN		External Interrupt 5 enable bit. Set this bit before placing the device in hibernate mode to enable the ability of GPIO5 to wake up the device.	0x0	R/W
		0	External Interrupt 5 disabled.		
		1	External Interrupt 5 enabled.		
[6:4]	IRQ5MDE		External Interrupt 5 mode bits.	0x0	R/W
		000	Rising edge.		
		001	Falling edge.		
		010	Rising or falling edge.		
		011	High level.		
		100	Low level.		
		101	Falling edge (same as 001).		
		110	Rising or falling edge (same as 010).		
		111	High level (same as 011).		
3	IRQ4EN		External Interrupt 4 enable bit. Set this bit before placing the device in hibernate mode to enable the ability of GPIO4 to wake up the device.	0x0	R/W
		0	External Interrupt 4 disabled.		
		1	External Interrupt 4 enabled.		
[2:0]	IRQ4MDE		External Interrupt 4 mode bits.	0x0	R/W
		000	Rising edge.		
		001	Falling edge.		
		010	Rising or falling edge.		
		011	High level.		
		100	Low level.		
		101	Falling edge (same as 001).		
		110	Rising or falling edge (same as 010).		
		111	High level (same as 011).		

## INTERRUPTS

## External Interrupt Configuration 2 Register—EI2CON

Address 0x00000A28, Reset: 0x0000, Name: EI2CON

Table 148. Bit Descriptions for EI2CON Register

Bits	Bit Name	Settings	Description	Reset	Access
[15:4]	Reserved		Reserved.	0x0	R
3	BUSINTEN	0 1	Bus interrupt detection enable bit. Set this bit before placing the device in hibernate mode to enable the ability of the SPI to wake up the device. Bus interrupt wake-up disabled. Bus interrupt wake-up enabled.	0x0	R/W
[2:0]	BUSINTMDE	000 001 010 011 100 101 110 111	Bus interrupt detection mode bits. Rising edge. Falling edge. Rising or falling edge. High level. Low level. Falling edge (same as 001). Rising or falling edge (same as 010). High level (same as 011).	0x0	R/W

## External Interrupt Clear Register—EICLR

Address 0x00000A30, Reset: 0xC000, Name: EICLR

Table 149. Bit Descriptions for EICLR Register

Bits	Bit Name	Settings	Description	Reset	Access
15	AUTCLRBUSEN		Enable autoclear of bus interrupt. Set this bit to 1 to enable autoclear.	0x1	R/W
14	AUTCLRIRQEN		Enable autoclear of External Interrupt 0 to External Interrupt 7. Set this bit to 1 to enable autoclear.	0x1	R/W
[13:9]	Reserved		Reserved.	0x0	R
8	BUSINT		Bus interrupt. Set this bit to 1 to clear an internal interrupt flag. This bit is cleared automatically by the hardware.	0x0	R/W
7	IRQ7		External Interrupt 7. Set this bit to 1 to clear an internal interrupt flag. This bit is cleared automatically by the hardware.	0x0	R/W
6	IRQ6		External Interrupt 6. Set this bit to 1 to clear an internal interrupt flag. This bit is cleared automatically by the hardware.	0x0	R/W
5	IRQ5		External Interrupt 5. Set this bit to 1 to clear an internal interrupt flag. This bit is cleared automatically by the hardware.	0x0	R/W
4	IRQ4		External Interrupt 4. Set this bit to 1 to clear an internal interrupt flag. This bit is cleared automatically by the hardware.	0x0	R/W
3	IRQ3		External Interrupt 3. Set this bit to 1 to clear an internal interrupt flag. This bit is cleared automatically by the hardware.	0x0	R/W
2	IRQ2		External Interrupt 2. Set this bit to 1 to clear an internal interrupt flag. This bit is cleared automatically by the hardware.	0x0	R/W
1	IRQ1		External Interrupt 1. Set this bit to 1 to clear an internal interrupt flag. This bit is cleared automatically by the hardware.	0x0	R/W
0	IRQ0		External Interrupt 0. Set this bit to 1 to clear an internal interrupt flag. This bit is cleared automatically by the hardware.	0x0	R/W

## DIGITAL INPUTS/OUTPUTS

### DIGITAL INPUTS/OUTPUTS FEATURES

The AD5940 features eight GPIO pins, GPIO0-GPIO7. The AD5941 has three GPIO pins, GPIO0-GPIO2. The GPIOs are grouped in one port, which is eight bits wide. Each GPIOx contains multiple functions that are configurable by user code.

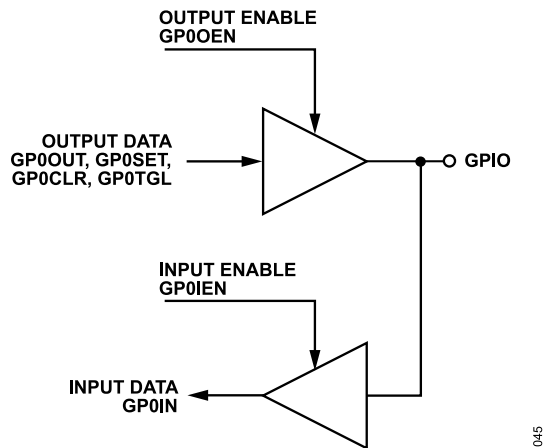


Figure 51. Digital Input/Output Diagram

### DIGITAL INPUTS/OUTPUTS OPERATION

#### Input/Output Pull-Up Enable

GPIO0, GPIO1, GPIO3, GPIO4, GPIO5, GPIO6, and GPIO7 pins have pull-up resistors that are enabled or disabled using the GP0PE register. Unused GPIOs must have the respective pull-up resistors disabled to reduce power consumption.

#### Input/Output Data Input

When the GPIOs are configured as inputs using the GP0IEN register, the GPIO input levels are available in the GP0IN register.

#### Input/Output Data Output

When the GPIOs are configured as outputs, the values in the GP0OUT register are reflected on the GPIOs.

#### Bit Set

The GP0 port has a corresponding bit set register, GP0SET. Using the bit set register, it is possible to set one or more GPIO data outputs without affecting other outputs within the port. Only the GPIOx corresponding to the write data bit equal to 1 is set. The remaining GPIOs are unaffected.

#### Bit Clear

The GP0 port has a corresponding bit clear register, GP0CLR. Use the bit clear register to clear one or more GPIO data outputs

without affecting other outputs within the port. Only the GPIOx that corresponds to the write data bit equal to 1 is cleared. The remaining GPIOs are unaffected.

#### Bit Toggle

The GP0 port has a corresponding bit toggle register, GP0TGL. Using the bit toggle register, it is possible to invert one or more GPIO data outputs without affecting other outputs within the port. Only the GPIOx pin that corresponds to the write data bit equal to 1 is toggled. The remaining GPIOs are unaffected.

#### Input/Output Data Output Enable

The GP0 port has a data output enable register, GP0OEN, by which the data output path is enabled. When the data output enable register bits are set, the values in GP0OUT are reflected on the corresponding GPIOx pins.

#### Interrupt Inputs

Each GPIOx pin can be configured to react to external events. These events can be detected and used to wake up the device or to trigger specific sequences. These events are configured in the EIXCON register. Writing to the corresponding bit in the EICLR register clears the interrupt flag. For further information, see the [Interrupts](#) section.

#### Interrupt Outputs

The AD5940/AD5941 has two external interrupts that can be mapped to certain GPIOx pins (see the GP0CON register). When an interrupt occurs, the AD5940/AD5941 sets the GPIOx pin high. When the interrupt is cleared, the AD5940/AD5941 brings the GPIOx pin low. These interrupts are configured in the interrupt controller register (see the [Interrupts](#) section).

#### Digital Port Multiplex

The digital port multiplex block provides control over the GPIO functionality of the specified pins. These options are configured in the GP0CON register.

#### GPIOx Control with the Sequencer

Each GPIOx on the AD5940/AD5941 can be controlled via the sequencer. This control allows syncing of external devices during timing critical applications using a dedicated register, SYNCXTDE-VICE. To control the GPIOs via this register, the GPIOx must first be configured as an output in the GP0OEN register and sync must be selected in the GP0CON register.

## DIGITAL INPUTS/OUTPUTS

Table 150. GPIOx Multiplex Options

GPIOx Name	PINxCFG Bit Setting Option			
	00	01	10	11
GPIO0	Interrupt 0 output	Sequence 0 trigger	Synchronizes External Device 0	General-purpose input/output
GPIO1	General-purpose input/output	Sequence 1 trigger	Synchronizes External Device 1	Deep sleep
GPIO2	POR signal output	Sequence 2 trigger	Synchronizes External Device 2	External clock input
GPIO3	General-purpose input/output	Sequence 3 trigger	Synchronizes External Device 3	Interrupt 0 output
GPIO4	General-purpose input/output	Sequence 0 trigger	Synchronizes External Device 4	Interrupt 1 output
GPIO5	General-purpose input/output	Sequence 1 trigger	Synchronizes External Device 5	External clock input
GPIO6	General-purpose input/output	Sequence 2 trigger	Synchronizes External Device 6	Interrupt 0 output
GPIO7	General-purpose input/output	Sequence 3 trigger	Synchronizes External Device 7	Interrupt 1 output

## GPIO REGISTERS

Table 151. GPIO Registers Summary

Address	Name	Description	Reset	Access
0x00000000	GP0CON	GPIO Port 0 configuration register	0x0000	R/W
0x00000004	GP0OEN	GPIO Port 0 output enable register	0x0000	R/W
0x00000008	GP0PE	GPIO Port 0 pull-up and pull-down enable register	0x0000	R/W
0x0000000C	GP0IEN	GPIO Port 0 input path enable register	0x0000	R/W
0x00000010	GP0IN	GPIO Port 0 registered data input register	0x0000	R
0x00000014	GP0OUT	GPIO Port 0 data output register	0x0000	R/W
0x00000018	GP0SET	GPIO Port 0 data output set register	0x0000	W
0x0000001C	GP0CLR	GPIO Port 0 data out clear register	0x0000	W
0x00000020	GP0TGL	GPIO Port 0 pin toggle register	0x0000	W

## GPIO Port 0 Configuration Register—GP0CON

Address 0x00000000, Reset: 0x0000, Name: GP0CON

The GP0CON register configures the configuration for each of the eight GPIOs.

Table 152. Bit Descriptions for GP0CON Register

Bits	Bit Name	Settings	Description	Reset	Access
[15:14]	PIN7CFG		GPIO 7 configuration bits.	0x0	R/W
		00	General-purpose input/output.		
		01	Sequence 3 trigger signal input from the microcontroller unit (MCU) side.		
		10	Synchronizes External Device 7 output signal.		
[13:12]	PIN6CFG		GPIO6 configuration bits.	0x0	R/W
		00	General-purpose input/output.		
		01	Sequence 2 trigger signal input from the MCU side.		
		10	Synchronizes External Device 6 output signal.		
[11:10]	PIN5CFG		GPIO5 configuration bits.	0x0	R/W
		00	General-purpose input/output.		
		01	Sequence 1 trigger signal input from the MCU side.		
		10	Synchronizes External Device 5 output signal.		
		11	External clock input (EXTCLK).		

## DIGITAL INPUTS/OUTPUTS

Table 152. Bit Descriptions for GP0CON Register (Continued)

Bits	Bit Name	Settings	Description	Reset	Access
[9:8]	PIN4CFG		GPIO4 configuration bits. 00 General-purpose input/output. 01 Sequence 0 trigger signal input from the MCU side. 10 Synchronizes External Device 4 output signal. 11 Interrupt 1 output.	0x0	R/W
[7:6]	PIN3CFG		GPIO3 configuration bits. 00 General-purpose input/output. 01 Sequence 3 trigger signal input from the MCU side. 10 Synchronizes External Device 3 output signal. 11 Interrupt 0 output.	0x0	R/W
[5:4]	PIN2CFG		GPIO2 configuration bits. 00 POR signal output. 01 Sequence 2 trigger signal input from the MCU side. 10 Synchronizes External Device 2 output signal. 11 External clock input (EXTCLK).	0x0	R/W
[3:2]	PIN1CFG		GPIO1 configuration bits. 00 General-purpose input/output. 01 Sequence 1 trigger signal input from the MCU side. 10 Synchronizes External Device 1 output signal. 11 Deep sleep. Sleep flag indicating that the AD5940/AD5941 is in hibernate mode. Used when reading data FIFO. When the MCU receives the FIFO full or almost full interrupt, the MCU waits for this pin to go high. Then, the MCU wakes the AD5940/AD5941 and reads data FIFO. After the data FIFO is read, the MCU sends a command to put the AD5940/AD5941 back in sleep mode.	0x0	R/W
[1:0]	PIN0CFG		GPIO0 configuration bits. 00 Interrupt 0 output. 01 Sequence 0 trigger signal input from the MCU side. 10 Synchronizes External Device 0 output signal. 11 General-purpose input/output.	0x0	R/W

## GPIO Port 0 Output Enable Register—GP0OEN

Address 0x00000004, Reset: 0x0000, Name: GP0OEN

The GP0OEN register enables the output for each GPIO.

Table 153. Bit Descriptions for GP0OEN Register

Bits	Bit Name	Settings	Description	Reset	Access
[15:8]	Reserved		Reserved.	0x0	R
[7:0]	OEN		Pin output drive enable. Each bit in this range is set to enable the output for that particular pin. Each bit is cleared to disable the output for each pin.	0x0	R/W

## GPIO Port 0 Pull-Up and Pull-Down Enable Register—GP0PE

Address 0x00000008, Reset: 0x0000, Name: GP0PE

Table 154. Bit Descriptions for GP0PE Register

Bits	Bit Name	Settings	Description	Reset	Access
[15:8]	Reserved		Reserved.	0x0	R
[7:0]	PE		Pin pull enable. Each bit in this range is set to enable the pull-up and/or pull-down resistor for that particular pin. Each bit is cleared to disable the pull-up/pull-down resistor for each pin.	0x0	R/W

## DIGITAL INPUTS/OUTPUTS

**GPIO Port 0 Input Path Enable Register—GP0IEN**

Address 0x0000000C, Reset: 0x0000, Name: GP0IEN

*Table 155. Bit Descriptions for GP0IEN Register*

Bits	Bit Name	Settings	Description	Reset	Access
[15:8]	RESERVED		Reserved.	0x0	R
[7:0]	IEN		Input path enable. Each bit is set to enable the input path and cleared to disable the input path for the GPIOx pin.	0x0	R/W

**GPIO Port 0 Registered Data Input—GP0IN**

Address 0x00000010, Reset: 0x0000, Name: GP0IN

*Table 156. Bit Descriptions for GP0IN Register*

Bits	Bit Name	Settings	Description	Reset	Access
[15:8]	Reserved		Reserved.	0x0	R
[7:0]	IN		Registered data input. Each bit reflects the state of the GPIOx pin if the corresponding input buffer is enabled. If the pin input buffer is disabled the value seen is zero.	0x0	R

**GPIO Port 0 Data Output Register—GP0OUT**

Address 0x00000014, Reset: 0x0000, Name: GP0OUT

*Table 157. Bit Descriptions for GP0OUT Register*

Bits	Bit Name	Settings	Description	Reset	Access
[15:8]	Reserved		Reserved.	0x0	R
[7:0]	OUT		Data out. Set by user code to drive the corresponding GPIOx high. Cleared by user to drive the corresponding GPIOx low.	0x0	R/W

**GPIO Port 0 Data Out Set Register—GP0SET**

Address 0x00000018, Reset: 0x0000, Name: GP0SET

*Table 158. Bit Descriptions for GP0SET Register*

Bits	Bit Name	Settings	Description	Reset	Access
[15:8]	Reserved		Reserved.	0x0	R
[7:0]	Set		Set the output high. Set by user code to drive the corresponding GPIOx high. Clearing this bit has no effect.	0x0	W

**GPIO Port 0 Data Out Clear Register—GP0CLR**

Address 0x0000001C, Reset: 0x0000, Name: GP0CLR

*Table 159. Bit Descriptions for GP0CLR Register*

Bits	Bit Name	Settings	Description	Reset	Access
[15:8]	Reserved		Reserved.	0x0	R
[7:0]	CLR		Set the output low. Each bit is set to drive the corresponding GPIOx pin low. Clearing this bit has no effect.	0x0	W

**DIGITAL INPUTS/OUTPUTS****GPIO Port 0 Pin Toggle Register—GP0TGL**

Address 0x00000020, Reset: 0x0000, Name: GP0TGL

*Table 160. Bit Descriptions for GP0TGL Register*

Bits	Bit Name	Settings	Description	Reset	Access
[15:8]	Reserved		Reserved	0x0	R
[7:0]	TGL		Toggle the Output. Each bit is set to invert the corresponding GPIOx pin. Clearing this bit has no effect.	0x0	W

## SYSTEM RESETS

The AD5940/AD5941 provides the following reset sources:

- ▶ External reset.
- ▶ POR.
- ▶ Software reset of the digital part of the device. The low power, potentiostat amplifier and low power TIA circuitry is not reset.

The AD5940/AD5941 is reset during an external hardware reset or POR.

The external reset or hardware reset is connected to the external  $\overline{\text{RESET}}$  pin. When this pin is pulled low, a reset occurs. All circuits and control registers return to their default state.

The host microcontroller can trigger a software reset to the AD5940/AD5941 by clearing SWRSTCON, Bit 0. It recommends

to connect the  $\overline{\text{RESET}}$  pin of the AD5940/AD5941 to a GPIO pin on the host processor to give the controller control over hardware resets.

The AD5940/AD5941 reset status register is RSTSTA. Read this register to identify the source of the reset to the chip.

Software resets can be bypassed to ensure the circuits used to bias an external sensor are not disturbed. These circuits include the ultra low power DACs, potentiostat amplifier, and TIAs. The programmable switches circuits can also be configured to maintain their states in the event of a reset.

## ANALOG DIE RESET REGISTERS

**Table 161. Analog Die Reset Registers Summary**

Address	Name	Description	Reset	Access
0x00000A5C	RSTCONKEY	Key protection for SWRSTCON register.	0x0000	W
0x00000424	SWRSTCON	Software reset register.	0x0001	R/W
0x00000A40	RSTSTA	Reset status register.	0x0000	R/W1C

### Key Protection for the RSTCON Register—RSTCONKEY

Address 0x00000A5C, Reset: 0x0000, Name: RSTCONKEY

**Table 162. Bit Descriptions for RSTCONKEY Register**

Bits	Bit Name	Settings	Description	Reset	Access
[15:0]	Key		Reset control key register. The SWRSTCON register is key protected with a value of 0x12EA. Write to the SWRSTCON register after the key is entered. A write to any other register before writing to the SWRSTCON register returns the protection to the lock state.	0x0	W

### Software Reset Register—SWRSTCON

Address 0x00000424, Reset: 0x0001, Name: SWRSTCON

**Table 160. Bit Descriptions for SWRSTCON Register**

**Table 163.**

Bits	Bit Name	Settings	Description	Reset	Access
[15:1]	Reserved		Reserved.	0x0	R
0	SWRSTL	0 0xA158	Software reset. Write to the RESTCONKEY register to unlock this register. Not reset. Trigger reset.	0x1	R/W

## SYSTEM RESETS

**Reset Status Register—RSTSTA**

Address 0x00000A40, Reset: 0x0000, Name: RSTSTA

**Table 161. Bit Descriptions for RSTSTA Register****Table 164.**

Bits	Bit Name	Settings	Description	Reset	Access
[15:4]	Reserved		Reserved.	0x0	R
3	MMRSWRST		MMR software reset. This bit is automatically set to 1 when writing to the SWRSTCON register. Clear this bit by writing 1.	0x0	R/W1C
2	Reserved		Reserved.	0x0	R/W1C
1	EXTRST		External reset. This bit is automatically set to 1 when an external reset occurs. Clear this bit by writing 1.	0x0	R/W1C
0	POR		AFE power-on reset. This bit is automatically set when a POR occurs. Clear this bit by writing 1.	0x0	R/W1C

## POWER MODES

There are four main power modes for the AD5940/AD5941: active high power mode (>80 kHz), active normal mode (<80 kHz), hibernate mode, and shutdown mode.

### ACTIVE HIGH POWER MODE (>80 KHZ)

Active high power mode (>80 kHz) is recommended when generating or measuring high bandwidth signals >80 kHz. The 32 MHz oscillator is selected to drive the high speed DAC and ADC circuits to handle the high bandwidth signal. To enable high power mode, use the following sequence:

1. Write PMBW = 0x000D.
2. Because system clock frequency must be  $\leq 16$  MHz, set the system clock divider to 2 and set the ADC clock divider to 1.
3. Switch the oscillator to 32 MHz.
4. Set ADCFILTERCON, Bit 0 = 1 to enable a 1.6 MHz ADC sample rate.

### ACTIVE LOW POWER MODE (<80 KHZ)

Active low power mode (<80 kHz) is the default active state of the AD5940/AD5941. The system clock is the 16 MHz internal oscillator (PWRMOD, Bits[1:0] = 0x1).

### HIBERNATE MODE

When the AD5940/AD5941 is in hibernate mode, the high speed clock circuits are powered down, resulting in all blocks being clocked when entering a low power, clock gated state. The 32 kHz oscillator remains active. The watchdog timer is also active. To place the AD5940/AD5941 in hibernate mode, write PWRMOD, Bits[1:0] = 0x2. It is recommended that PWRMOD, Bit 14 = 0. Bit 14 controls a power switch to the ADC block. When this switch

is turned off, the leakage from the ADC is reduced, which subsequently reduces the current consumption in hibernate mode.

Optionally, the low power DAC, reference, and amplifiers can remain active to maintain the bias of an external sensor. However, current consumption increases.

### SHUTDOWN MODE

Shutdown mode is similar to hibernate, except the user is expected to power-down the low power analog blocks.

### LOW POWER MODE

The AD5940/AD5941 provides a feature for ultra low power applications, such as EDA measurements. Various blocks can be powered down simultaneously by writing to the LPMODECON register. Within the LPMODECON register, there are a number of bits corresponding to certain analog blocks. By setting these bits to 1, the corresponding piece of circuitry is powered down to save power. For example, writing 1 to LPMODECON, Bit 1, powers down the high power reference.

The LPMODECON register features key protection. Before accessing the register, the user must write 0xC59D6 to the LPMODEKEY register.

Another feature that is useful in ultra low power applications is the ability to switch system clocks to the 32 kHz oscillator using the sequencer. To enable this feature, write 1 to LPMODECLKSEL, Bit 0. The sequencer can then switch the system clocks to the 32 kHz oscillator. The LPMODECLKSEL register is key protected by the LPMODKEY register.

## POWER MODES REGISTERS

Table 165. Power Mode Registers Summary

Address	Name	Description	Reset	Access
0x0000A00	PWRMOD	Power mode configuration register	0x0001	R/W
0x0000A04	PWRKEY	Key protection for PWRMOD register	0x0000	R/W
0x0000210C	LPMODEKEY	Key protection for LPMODECLKSEL and LPMODECON registers	0x00000000	R/W
0x00002110	LPMODECLKSEL	Low power mode clock select register	0x00000000	R/W
0x00002114	LPMODECON	Low power mode configuration register	0x00000102	R/W

### Power Modes Register—PWRMOD

Address 0x0000A00, Reset: 0x0001, Name: PWRMOD

Table 166. Bit Descriptions for PWRMOD Register

Bits	Bit Name	Settings	Description	Reset	Access
15	RAMRETEN		Retention for RAM.	0x0	R/W
		0	RAM is not retained during hibernate mode.		
		1	RAM is retained during hibernate mode.		

## POWER MODES

Table 166. Bit Descriptions for PWRMOD Register (Continued)

Bits	Bit Name	Settings	Description	Reset	Access
14	ADCRETEN		This bit keeps the ADC power switch on in hibernate mode. 0 ADC power switch turned off during hibernate mode. 1 ADC power switch turned on during hibernate mode.	0x0	R/W
[13:4]	Reserved		Reserved.	0x0	R
3	SEQSLPEN		Autosleep function by sequencer command. 0 Disables the sequencer autosleep function. 1 Enables the sequencer autosleep function.	0x0	R/W
2	TMRSLPEN		Autosleep function by sleep and wake-up timer. 0 Disables the sleep and wake-up timer autosleep function. 1 Enables the sleep and wake-up timer autosleep function.	0x0	R/W
[1:0]	PWRMOD		Power mode control bits. When read, these bits contain the last power mode value entered by user code. 01 Active mode. Normal working mode. All digital circuits powered up. The user can optionally power down blocks by disabling their input clock. 10 Hibernate mode. Digital core powered down. Most AFE die blocks powered down (low power DACs and references can remain active to bias an external sensor). SRAM is powered down, with or without retention. The high speed clock is powered down. Only the low speed clock is powered up. 11 Reserved.	0x1	R/W

## Key Protection for the PWRMOD Register—PWRKEY

Address 0x00000A04, Reset: 0x0000, Name: PWRKEY

Table 167. Bit Descriptions for PWRKEY Register

Bits	Bit Name	Settings	Description	Reset	Access
[15:0]	PWRKEY		PWRMOD key register. The PWRMOD register is key protected. Two writes to the key are necessary to change the value in the PWRMOD register: first 0x4859, then 0xF27B. Then, write to the PWRMOD register. A write to any other register before writing to PWRMOD returns the protection to the lock state.	0x0	R/W

## Low Power Mode AFE Control Lock Register—LPMODEKEY

Address 0x0000210C, Reset: 0x00000000, Name: LPMODEKEY

The LPMODEKEY register protects the LPMODECLKSEL and LPMODECON registers.

Table 168. Bit Descriptions for LPMODEKEY Register

Bits	Bit Name	Settings	Description	Reset	Access
[31:20]	Reserved		Reserved.	0x0	R
[19:0]	Key		These bits are the key for low power mode control by the sequencer related registers. The key prevents accidental writing to the registers. 0xC59D6 Clocks related registers via a sequencer write. 0x00000 Locks the clock related registers via a sequencer write. Write any value other than 0xC59D6 to lock the sequencer read/write clock related registers.	0x0	R/W

## POWER MODES

**Low Power Mode Clock Select Register—LPMODECLKSEL**

Address 0x00002110, Reset: 0x00000000, Name: LPMODECLKSEL

The LPMODECLKSEL register is protected by the LPMODKEY register.

**Table 169. Bit Descriptions for LPMODECLKSEL Register**

Bits	Bit Name	Settings	Description	Reset	Access
[31:1]	Reserved		Reserved.	0x0	R
0	LFSYSCLKEN		Enable for switching the system clock to 32 kHz via the sequencer. Write 1 to this bit to switch to the 32 kHz oscillator. Clear this bit to switch to the 16 MHz oscillator.	0x0	R/W

**Low Power Mode Configuration Register—LPMODECON**

Address 0x00002114, Reset: 0x00000102, Name: LPMODECON

The LPMODECON register is protected by the LPMODEKEY register.

**Table 170. Bit Descriptions for LPMODECON Register**

Bits	Bit Name	Settings	Description	Reset	Access
[31:9]	Reserved		Reserved.	0x0	R
8	ALDOEN		Set this bit high to power-down the analog LDO.	0x1	R/W
7	V1P1HSADCEN		Set this bit high to enable the 1.11 V high speed common-mode buffer.	0x0	R/W
6	V1P8HSADCEN		Set this bit high to enable the high speed 1.82 V reference buffer.	0x0	R/W
[5:4]	RESERVED		Reserved.	0x0	R/W
3	REPEATADCCNVEN_P		Set this bit high to enable the repetition of ADC conversions.	0x0	R/W
2	ADCCNVEN		Set this bit high to enable ADC conversions.	0x0	R/W
1	HSREFDIS		Set this bit high to power-down the high speed reference.	0x1	R/W
0	HFOSCPD		Set this bit high to power-down the high speed power oscillator.	0x0	R/W

CLOCKING ARCHITECTURE

CLOCK FEATURES

The AD5940/AD5941 features the following clock options:

- ▶ A low frequency, 32 kHz internal oscillator (LFOSC). This is used to clock the sleep/wakeup timer.
- ▶ A high frequency, 16 MHz or 32 MHz internal oscillator (HFOSC). The 32 MHz setting only is designed to clock the HSDAC, HSTIA and ADC circuits for high bandwidth measurements > 80 kHz.
- ▶ An external 16 MHz or 32 MHz crystal option. If a 32 MHz crystal is used, ensure that SYSCLKDIV, Bits [5:0] = 2 in the CLKCON0 register. This limits the digital die clock source to 16 MHz. Typically, if using a 32 MHz crystal, the ADC is always set running on a 32 MHz clock. The current consumption of the ADC increases by 2 mA when using a 32 MHz clock compared to a 16 MHz.

- ▶ An external clock input option on GPIO2 or GPIO5 (GPIO5 is available on AD5940 only). If a 32 MHz source is used, ensure that SYSCLKDIV, Bits [5:0] = 2 in CLKCON0 register. This limits the digital die clock source to 16 MHz. Typically, if using a 32 MHz crystal, the ADC is always set running on a 32 MHz clock. The current consumption of the ADC increases by 2 mA when using a 32 MHz clock compared to a 16 MHz.

At power-up, the internal high frequency oscillator is selected as the AFE system clock with a 16 MHz setting. The user code can divide the clock by a factor of 1 to 32 to reduce power consumption. Note that the system performance is only validated with AFE system clock rate of 16 MHz.

The clock architecture diagram is shown in Figure 52.

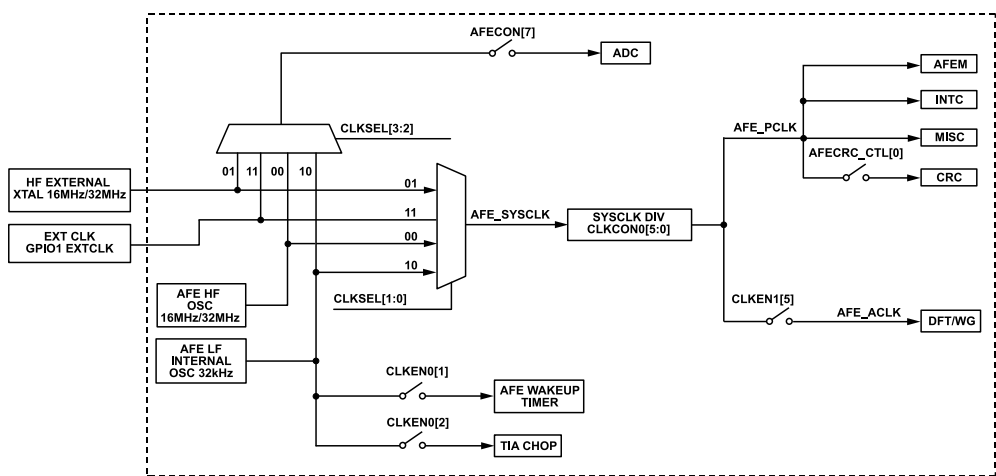


Figure 52. AD5940/AD5941 System Clock Architecture

CLOCK ARCHITECTURE REGISTERS

Table 171. Clock Registers Summary

Address	Name	Description	Reset	Access
0x00000408	CLKCON0	Clock divider configuration	0x0441	R/W
0x00000414	CLKSEL	Clock select	0x0000	R/W
0x00000A70	CLKEN0	Clock control of the low power TIA chop and wake-up timers	0x0004	R/W
0x00000410	CLKEN1	Clock gate enable	0x01C0	R/W
0x00000A0C	OSCKEY	Key protection for the OSCCON register	0x0000	R/W
0x00000A10	OSCCON	Oscillator control	0x0003	R/W
0x000020BC	HSOSCCON	High speed oscillator configuration	0x0034	R/W
0x00000A5C	RSTCONKEY	Key protection for the RSTCON register	0x0000	W
0x00000A6C	LOSCTST	Internal low frequency oscillator test	0x0088	R/W

## CLOCKING ARCHITECTURE

## Clock Divider Configuration Register—CLKCON0

Address 0x00000408, Reset: 0x0441, Name: CLKCON0

Table 172. Bit Descriptions for CLKCON0 Register

Bits	Bit Name	Settings	Description	Reset	Access
[15:10]	Reserved		Reserved. Do not write to these bits.	0x1	R/W
[9:6]	ADCCLKDIV		ADC clock divider configuration. The ADC clock divider provides a divided clock from a 16 MHz root clock. The ADC clock frequency ( $f_{SYS}$ ) = root clock/ADCCLKDIV. The value can be 1 or 2.	0x1	R/W
[5:0]	SYSCCLKDIV		System clock divider configuration. The system clock divider provides a divided clock from a 16 MHz root clock that drives most digital peripherals. The system clock frequency ( $f_{SYS}$ ) = root clock/SYSCCLKDIV. The value range is from 1 to 32. Values larger than 32 are saturated to 32. Values of 0 and 1 have the same results as divide by 1. The $f_{SYS}$ frequency must be $\leq 16$ MHz.	0x1	R/W

## Clock Select Register—CLKSEL

Address 0x00000414, Reset: 0x0000, Name: CLKSEL

Table 173. Bit Descriptions for CLKSEL Register

Bits	Bit Name	Settings	Description	Reset	Access
[15:4]	Reserved		Reserved.	0x0	R
[3:2]	ADCCLKSEL		Selects the ADC clock source. 0 Internal high frequency oscillator clock. 1 External high frequency crystal clock. 10 Internal low frequency oscillator clock (not recommended). 11 External clock.	0x0	R/W
[1:0]	SYSCCLKSEL		Selects system clock source. 0 Internal high frequency oscillator clock. 1 External high frequency crystal clock. 10 Internal low frequency oscillator clock (not recommended). 11 External clock.	0x0	R/W

## Clock Enable for Low Power TIA Chop and Wake-Up Timer—CLKEN0

Address 0x00000A70, Reset: 0x0004, Name: CLKEN0

Table 174. Bit Descriptions for CLKEN0 Register

Bits	Bit Name	Settings	Description	Reset	Access
[15:3]	Reserved		Reserved.	0x0	R
2	TIACHSDIS		TIA chop clock disable. 0 Turn on TIA chop clock. 1 Turn off TIA chop clock.	0x1	R/W
1	SLPWUTDIS		Sleep and wake-up timer clock disable. 0 Turn on sleep wake-up timer clock. 1 Turn off sleep wake-up timer clock.	0x0	R/W
0	Reserved		Reserved.	0x0	R/W

## CLOCKING ARCHITECTURE

**Clock Gate Enable Register—CLKEN1**

Address 0x00000410, Reset: 0x01C0, Name: CLKEN1

**Table 175. Bit Descriptions for CLKEN1 Register**

Bits	Bit Name	Settings	Description	Reset	Access
[15:10]	Reserved		Reserved.	0x0	R
9	Reserved		Reserved. Never write to this bit. Leave this bit cleared to 0.	0x0	R/W
8	Reserved		Reserved. Never write to this bit.	0x1	R/W
[7:6]	Reserved		Reserved. Always leave at 0. Never write to these bits.	0x1	R/W
5	ACLKDIS	1 0	ACLK clock enable. This bit controls the main AFE control clock, including the analog interface and digital signal processing. 1 Turn off ACLK clock. 0 Turn on ACLK clock.	0x0	R/W
4	Reserved		Reserved. Always leave at 0. Never write to this bit.	0x0	R/W
3	Reserved		Write 1 to this bit at initialization.	0x0	R/W
2	Reserved		Reserved. Always leave at 0. Never write to this bit.	0x0	R/W
1	Reserved		Reserved. Always leave at 0. Never write to this bit.	0x0	R/W
0	Reserved		Write 1 to this bit at initialization.	0x0	R/W

**Key Protection for the OSCCON Register—OSCKEY**

Address 0x00000A0C, Reset: 0x0000, Name: OSCKEY

**Table 176. Bit Descriptions for OSCKEY Register**

Bits	Bit Name	Settings	Description	Reset	Access
[15:0]	OSCKEY		Oscillator control key register. The OSCCON register is key protected. OSCKEY must be written to with a value of 0xCB14 before accessing the OSCCON register. A write to any other register before writing to the OSCCON register returns the protection to the lock state.	0x0	R/W

**Oscillator Control Register—OSCCON**

Address 0x00000A10, Reset: 0x0003, Name: OSCCON

The OSCCON register is key protected. To unlock this protection, write 0xCB14 to the OSCKEY register before writing to this register. A write to any other register before writing to this register returns the protection to the lock state.

**Table 177. Bit Descriptions for OSCCON Register**

Bits	Bit Name	Settings	Description	Reset	Access
[15:11]	Reserved		Reserved.	0x0	R
10	HFX TALOK	0 1	Status of the high frequency crystal oscillator. This bit indicates when the oscillator is stable after it is enabled. This bit is not a monitor and does not indicate a subsequent loss of stability. 0 Oscillator is not yet stable or is disabled. 1 Oscillator is enabled and is stable and ready for use.	0x0	R
9	HFO SCOK	0 1	Status of the high frequency oscillator. This bit indicates when the oscillator is stable after it is enabled. This bit is not a monitor and does not indicate a subsequent loss of stability. 0 Oscillator is not yet stable or is disabled. 1 Oscillator is enabled and is stable and ready for use.	0x0	R

## CLOCKING ARCHITECTURE

Table 177. Bit Descriptions for OSCCON Register (Continued)

Bits	Bit Name	Settings	Description	Reset	Access
8	LFOSCOK		Status of the low frequency oscillator. This bit indicates when the oscillator is stable after it is enabled. This bit is not a monitor and does not indicate a subsequent loss of stability. 0 Oscillator is not yet stable or is disabled. 1 Oscillator is enabled and is stable and ready for use.	0x0	R
[7:3]	Reserved		Reserved.	0x0	R
2	HFXTALEN		High frequency crystal oscillator enable. This bit is used to enable and disable the oscillator. The oscillator must be stable before use. This bit must be set before the SYSRESETREQ system reset can be initiated. 0 The high frequency crystal oscillator is disabled and placed in a low power state. 1 The high frequency crystal oscillator is enabled.	0x0	R/W
1	HFOSCEN		High frequency internal oscillator enable. This bit is used to enable and disable the oscillator. The oscillator must be stable before use. This bit must be set before the SYSRESETREQ system reset can be initiated. 0 The high frequency oscillator is disabled and placed in a low power state. 1 The high frequency oscillator is enabled.	0x1	R/W
0	LFOSCEN		Low frequency internal oscillator enable. This bit is used to enable and disable the oscillator. The oscillator must be stable before use. 0 The low frequency oscillator is disabled and placed in a low power state. 1 The low frequency oscillator is enabled.	0x1	R/W

## High Power Oscillator Configuration Register—HSOSCCON

Address 0x000020BC, Reset: 0x00000034, Name: HSOSCCON

Table 178. Bit Descriptions for HSOSCCON Register

Bits	Bit Name	Settings	Description	Reset	Access
[31:3]	Reserved		Reserved.	0x3	R
2	CLK32MHZEN		16 MHz/32 MHz output selector signal. This bit determines if the output is 32 MHz or 16 MHz. The ADC can run at 32 MHz, but system clock cannot run at 32 MHz. It is required to divide the system clock by 2 first before switching the oscillator to 32 MHz. Refer to the SYSCLKDIV bit in the CLKCON0 register. 0 Select 32 MHz output. 1 Select 16 MHz output.	0x1	R/W
[1:0]	Reserved		Reserved.	0x0	R

## Key Protection for RSTCON Register—RSTCONKEY

Address 0x00000A5C, Reset: 0x0000, Name: RSTCONKEY

Table 179. Bit Descriptions for RSTCONKEY Register

Bits	Bit Name	Settings	Description	Reset	Access
[15:0]	KEY		Reset control key register. SWRSTCON is key protected with a value of 0x12EA. Write to the SWRSTCON register after the key is entered. A write to any other register before writing to SWRSTCON returns the protection to the lock state.	0x0	W

**CLOCKING ARCHITECTURE****Internal Low Frequency Oscillator Register—LOSCTST**

Address 0x00000A6C, Reset: 0x0088, Name: LOSCTST

*Table 180. Bit Descriptions for LOSCTST Register*

Bits	Bit Name	Settings	Description	Reset	Access
[15:4]	Reserved		Reserved.	0x8	R/W
[3:0]	TRIM		Trim capacitors to adjust frequency. The output frequency can be trimmed by adjusting the charging capacitors.	0x8	R/W

APPLICATIONS INFORMATION

EDA BIOIMPEDANCE MEASUREMENT USING A LOW BANDWIDTH LOOP

The AD5940/AD5941 can be used for EDA measurements. This use case requires an always on measurement with a typical sampling rate of 4 Hz and excitation signal of 100 Hz. The AD5940/AD5941 uses the low power DAC to generate the low frequency signal. The low power TIA converts current to voltages, and the

DFT hardware accelerators calculates the real and imaginary values of the data. A high level block diagram is shown in [Figure 53](#). An accurate AC impedance value is then calculated. Using the low power mode features of the AD5940/AD5941 can achieve an average current consumption as low as 70  $\mu$ A. For details, see the [AN-1557](#) Application Note.

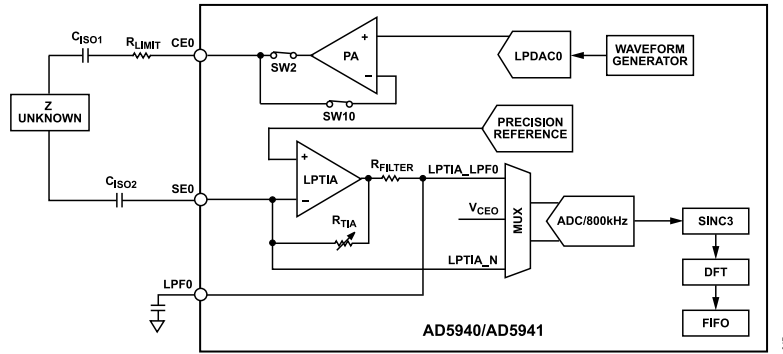


Figure 53. Low Frequency, 2-Wire, Bioimpedance Loop (Maximum Bandwidth = 300 Hz)

APPLICATIONS INFORMATION

**BODY IMPEDANCE ANALYSIS (BIA) MEASUREMENT USING A HIGH BANDWIDTH LOOP**

The high performance, 16-bit ADC, along with on-chip DFT hardware accelerator, target 100 dB of SNR at 50 kHz with impedance measurements up to 200 kHz. For details, see [AN-1557](#).

The AD5940/AD5941 uses its high bandwidth impedance loop to perform an absolute, 4-wire impedance measurement on the body.

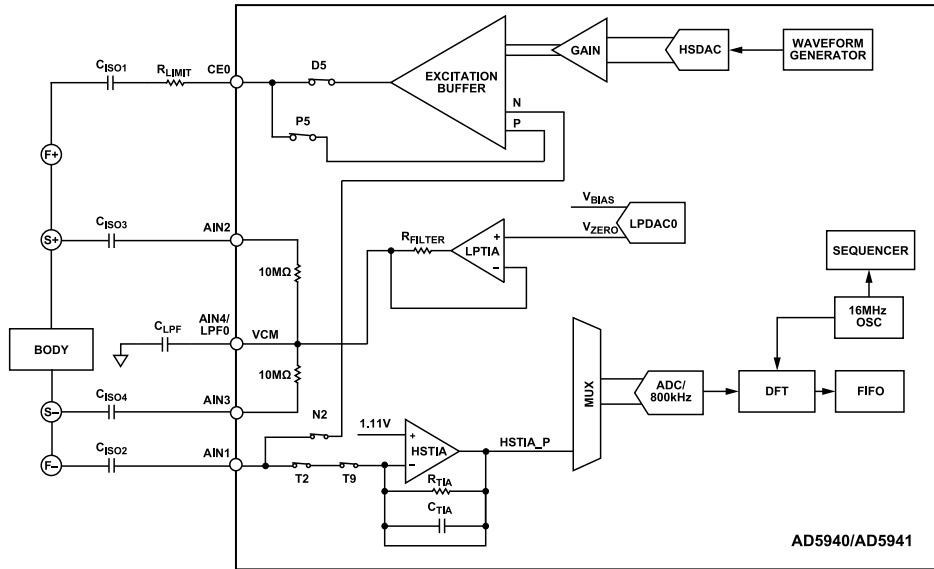


Figure 54. High Frequency, 4-Wire, Bioimpedance Loop (Maximum Bandwidth = 200 kHz)

APPLICATIONS INFORMATION

HIGH PRECISION POTENTIOSAT CONFIGURATION

The low bandwidth loop or the high bandwidth loop can be used for potentiostat applications. The switch matrix allows 2-, 3-, or 4-wire

electrode connections. Single reference electrode configuration is available for the low bandwidth loop. Single or dual reference electrode measurements configurations are available for the higher bandwidth loop. For details, see the AN-1563 Application Note.

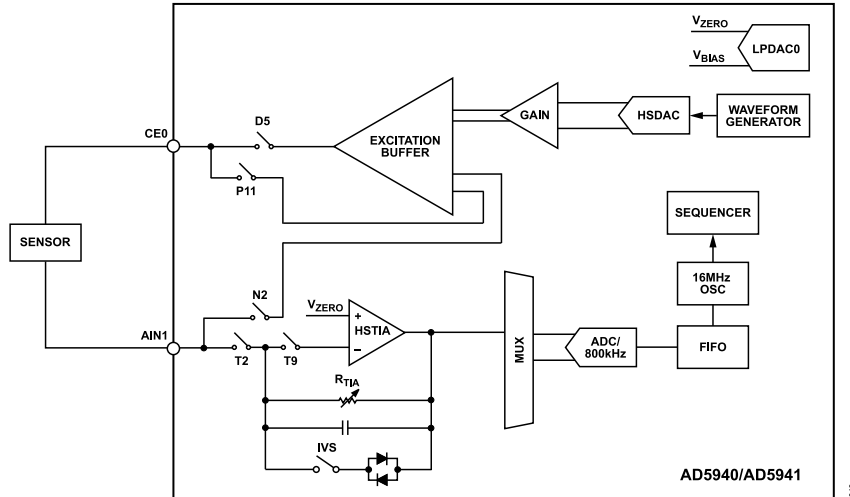


Figure 55. Using a High Bandwidth AFE Loop in Potentiostat Mode



## APPLICATIONS INFORMATION

## SMART WATER/LIQUID QUALITY AFE

The features and flexibility of the AD5940/AD5941 make the device ideal for water analysis applications. These applications typically measure pH, conductivity, oxidation/reduction, and temperature.

Figure 57 shows a simplified version of the AD5940/AD5941 configured to satisfy these measurement needs. The high power potentiostat amplifier loop can be used for the conductivity measurement.

Figure 57 shows a 2-wire conductivity sensor. The pH measurement indicates the acidity or alkalinity of the solution and uses an external amplifier for buffering purposes before conversion by the ADC.

In this application, as shown in Figure 57, the data FIFO and AFE sequence lend themselves to autonomous, preprogrammed, smart water measurements.

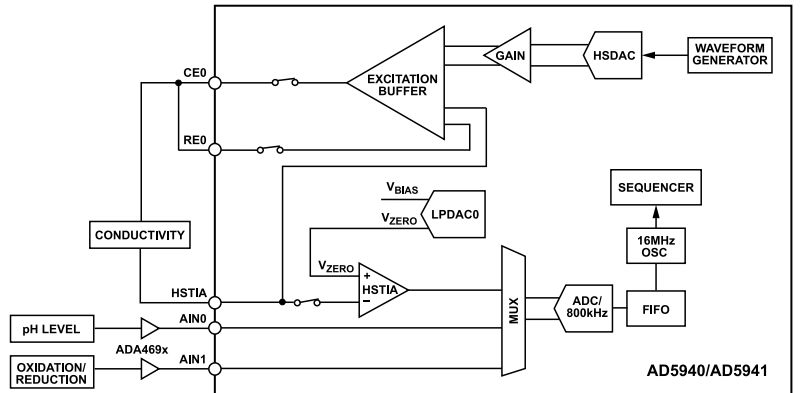


Figure 57. Typical Water Analysis Application Using the AD5940/AD5941

## OUTLINE DIMENSIONS

Package Drawing (Option)	Package Type	Package Description
CB-56-3	WLCSP	56-Ball Wafer Level Chip Scale Package
CP-48-4	LFCSP	48-Lead Lead Frame Chip Scale Package

For the latest package outline information and land patterns (footprints), go to [Package Index](#).

## ORDERING GUIDE

Model <sup>1,2</sup>	Temperature Range	Package Description	Packing Quantity	Package Option
AD5940BCBZ-RL	-40°C to +85°C	56-Ball WLCSP (4.16 mm x 3.56 mm)	Reel, 5000	CB-56-3
AD5940BCBZ-RL7	-40°C to +85°C	56-Ball WLCSP (4.16 mm x 3.56 mm)	Reel, 1500	CB-56-3
AD5941BCPZ	-40°C to +85°C	48-Lead LFCSP (7mm x 7mm x 0.75mm w/ EP)		CP-48-4
AD5941BCPZ-RL7	-40°C to +85°C	48-Lead LFCSP (7mm x 7mm x 0.75mm w/ EP)	Reel, 750	CP-48-4
AD5941WBCPZ-RL7	-40°C to +105°C	48-Lead LFCSP (7mm x 7mm x 0.75mm w/ EP)	Reel, 750	CP-48-4

<sup>1</sup> Z = RoHS Compliant Part.

<sup>2</sup> W = Qualified for Automotive Applications.

Updated: January 05, 2024

## EVALUATION BOARDS

Model <sup>1</sup>	Description
EVAL-AD5940BIOZ	Bioelectric Evaluation Board
EVAL-AD5940ELCZ	Electrochemical Evaluation Board for AD5940
EVAL-AD5941ELCZ	Electrochemical Evaluation Board for AD5941

<sup>1</sup> Z = RoHS Compliant Part.

## AUTOMOTIVE PRODUCTS

The AD5941W model is available with controlled manufacturing to support the quality and reliability requirements of automotive applications. Note that this automotive model may have specifications that differ from the commercial models; therefore, designers should review the [Specifications](#) section of this data sheet carefully. Only the automotive grade products shown are available for use in automotive applications. Contact your local Analog Devices account representative for specific product ordering information and to obtain the specific Automotive Reliability reports for this model.

### Legal Terms and Conditions

Information furnished by Analog Devices is believed to be accurate and reliable "as is". However, no responsibility is assumed by Analog Devices for its use, nor for any infringements of patents or other rights of third parties that may result from its use. Specifications subject to change without notice. No license is granted by implication or otherwise under any patent or patent rights of Analog Devices. Trademarks and registered trademarks are the property of their respective owners. All Analog Devices products contained herein are subject to release and availability.