

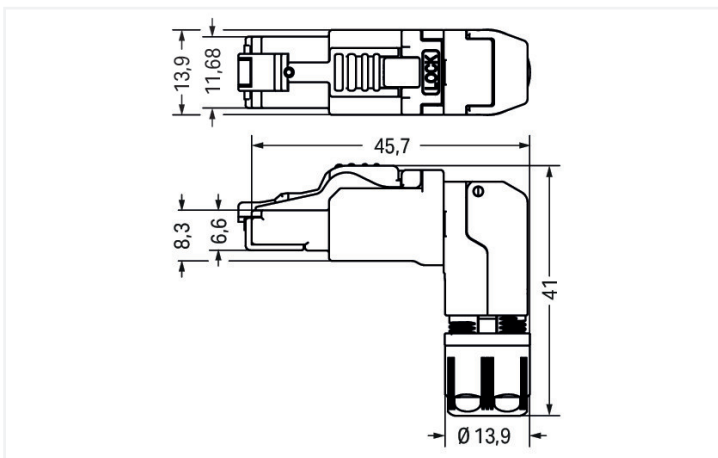
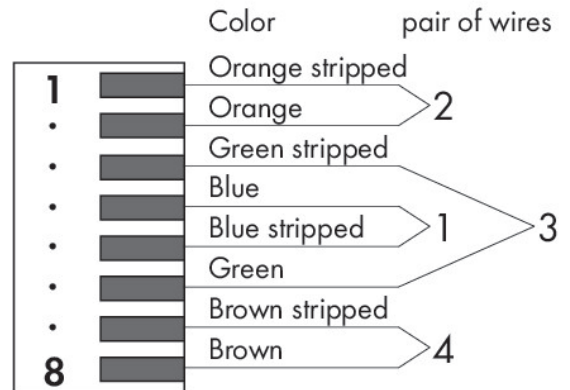
Data Sheet | Item Number: 750-979/000-022

Connector ETHERNET; RJ-45; Cat. 6A; angled; Code T568B; AWG 24; Strain relief

<https://www.wago.com/750-979/000-022>



Pin assignment TIA-568B



Dimensions in mm

Technical data

Connection type	RJ-45 plug
Pole number	8
Cable connection direction to mating direction	90 °
Cable connection direction (note)	Selectable position
Communication/fieldbus	ETHERNET
Code	TIA-568B
Transmission rate	10000 Mbit/s

Connection Data

Connection type	IDC contact
Solid conductor	0.13 ... 0.21 mm ² / 26/1 ... 24/1 AWG
Stranded conductor	0.11 ... 0.23 mm ² / 27/7 ... 24/7 AWG

Physical data

Width	13.9 mm
Height	41 mm
Depth	45.7 mm

Mechanical data

Connection requirement (permissible cable type)	Cat. 6A
Connectable sheathed cable diameter	5.5 ... 10 mm
Housing material	Zinc die casting
Weight	26 g

Environmental requirements

Ambient temperature (operation)	-40 ... +85 °C
Ambient temperature (storage)	-40 ... +85 °C
Protection type	IP20
Relative humidity (without condensation)	95 %
Standards/specifications	IEC60603-7-51, ISO/IEC 11801, IEEE 802.3an EIA/TIA 568-C.2 DIN EN 50173-1 UL 1863 UL 2043

Commercial data

PU (SPU)	1 pcs
Packaging type	Bag
Country of origin	TW
GTIN	4055143586320
Customs tariff number	85366990990

Product Classification

UNSPSC	39121413
eCl@ss 10.0	27-24-26-92
eCl@ss 9.0	27-24-26-92
ETIM 9.0	EC001121
ETIM 10.0	EC002584
ECCN	NO US CLASSIFICATION

Environmental Product Compliance

RoHS Compliance Status

Compliant, No Exemption

Approvals / Certificates

General approvals



Approval	Standard	Certificate Name
UL Underwriters Laboratories Inc.	UL 1977	E345416

Downloads

Environmental Product Compliance

Compliance Search

Environmental Product Compliance 750-979/000-022	↓
--	---

Documentation

Bid Text

750-979/000-022	19.02.2019	xml 3.79 KB	↓
750-979/000-022	06.10.2017	doc 25.00 KB	↓

Subject to changes. Please also observe the further product documentation!

Current addresses can be found at: www.wago.com