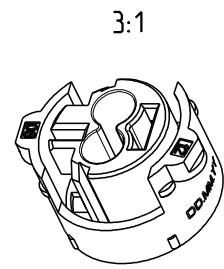
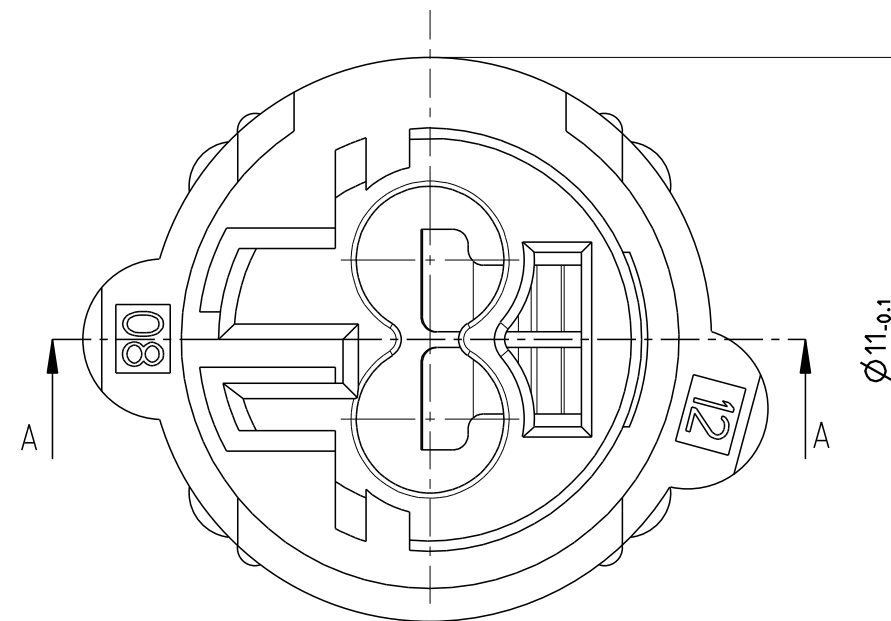
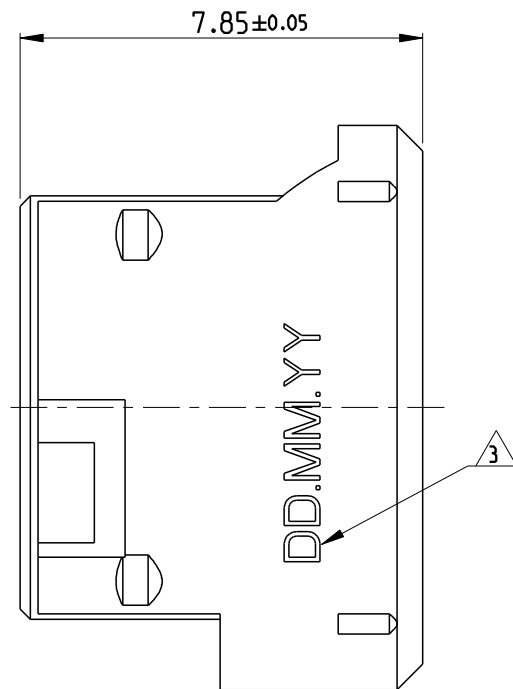
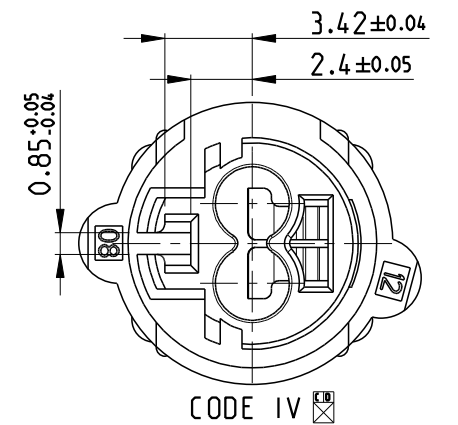
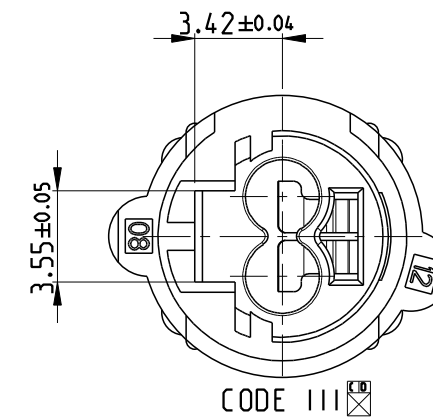
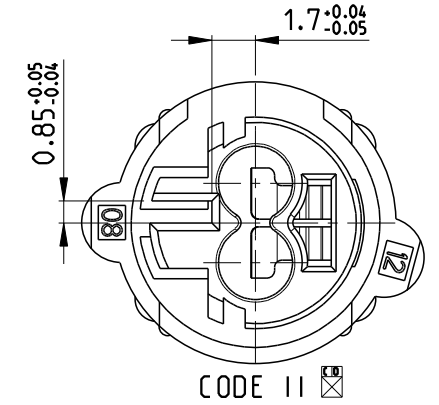
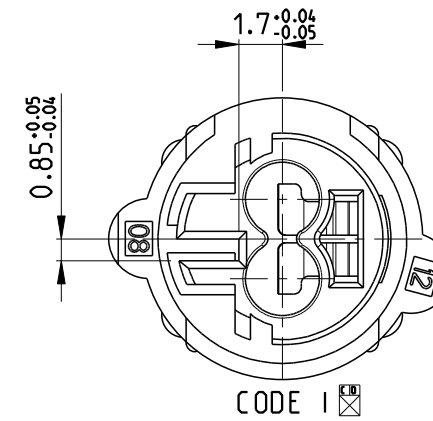
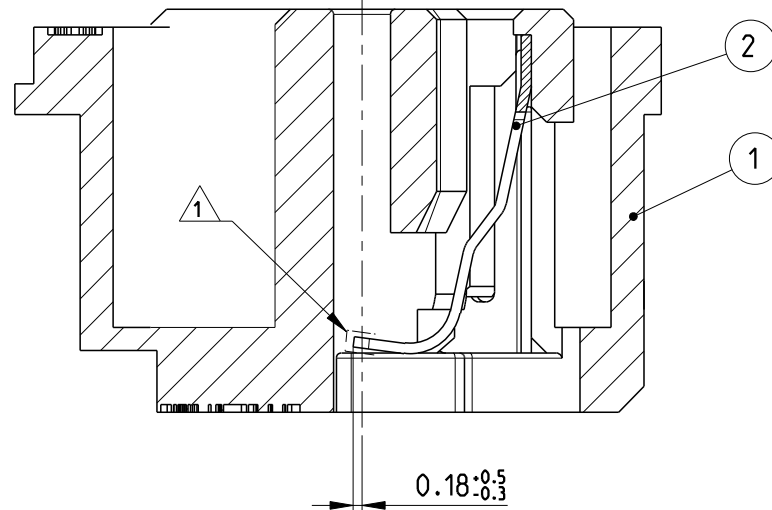


LOC	DIST	REVISIONS			
P	LTR	DESCRIPTION	DATE	DWN	APVD
ES	00	FIRST ISSUE	15Dec 2011	W.Zhang	I.YIN



SECTION A-A



NOTES

- ① SELECTIVE PLATING IN THIS AREA Au >0.8 MICRONS OVER NICKEL >2.0 MICRONS
- 2. PACKAGING -LOOSE PIECE
- ③ ASSY MANUFACTURING DATE CODE (DD.MM.YY)

ASSEMBLY NO.	CODE	POS.	DES.	MATERIAL.	COLOR
4-1823640-1	IV	2	SHORTING CLIP	St STEEL	-
		1	Housing	PBT GF 10	BLUE PURPLE
3-1823640-1	III	2	SHORTING CLIP	St STEEL	-
		1	Housing	PBT GF 10	YELLOW
2-1823640-1	II	2	SHORTING CLIP	St STEEL	-
		1	Housing	PBT GF 10	LT GREEN
1-1823640-1	I	2	SHORTING CLIP	St STEEL	-
		1	Housing	PBT GF 10	BLACK

THIS DRAWING IS A CONTROLLED DOCUMENT.		DWN W.ZHANG 15DEC2011	TE Connectivity		
DIMENSIONS: mm		CHK J.CHANG 15DEC2011			
TOLERANCES UNLESS OTHERWISE SPECIFIED:		APVD Y.IVAN 15DEC2011			
0 PLC ± 1 PLC ± 2 PLC ± 3 PLC ± 4 PLC ± ANGLES ± FINISH ±		NAME AK2 SHORT CIRCUIT RING ASSEMBLY	RESTRICTED TO		
MATERIAL		PRODUCT SPEC 108-3645	SIZE A2	CAGE CODE 00779	DRAWING NO. C-1823640
		APPLICATION SPEC	SCALE 5:1		
		WEIGHT	SHEET 1 OF 1		
		CUSTOMER DRAWING	REV A		